

GENESIS®



GAS GRILL

LP Gas Grill Owner's Guide

ESNA Guía del Propietario del Asador de Gas Propano Licuado - Pg. 27

FC Mode d'emploi du grill à gaz PL - Pg. 51

330

#54406



YOU MUST READ THIS OWNER'S GUIDE BEFORE OPERATING YOUR GAS GRILL.

⚠ DANGER

If you smell gas:

1. Shut off gas to the appliance.
2. Extinguish any open flames.
3. Open lid.
4. If odor continues, keep away from the appliance and immediately call your gas supplier or your fire department.

Leaking gas may cause a fire or explosion which can cause serious bodily injury, death, or damage to property.

⚠ WARNING:

1. Do not store or use gasoline or other flammable liquids or vapors in the vicinity of this or any other appliance.
2. An LP cylinder not connected for use shall not be stored in the vicinity of this or any other appliance.

⚠ WARNING: Follow all leak-check procedures carefully in this manual prior to barbecue operation. Do this even if the barbecue was dealer-assembled.

NOTICE TO INSTALLER: These instructions must be left with the owner and the owner should keep them for future use.

THIS GAS APPLIANCE IS DESIGNED FOR OUTDOOR USE ONLY.

⚠ WARNING: Do not ignite this appliance without first reading the **BURNER IGNITION** sections of this manual.



54406 12/31/12 LP
US ENGLISH

WARNINGS

⚠ DANGER

Failure to follow the Dangers, Warnings and Cautions contained in this Owner's Manual may result in serious bodily injury or death, or in a fire or an explosion causing damage to property.

⚠ WARNINGS

- ⚠ Do not store a spare or disconnected liquid propane cylinder under or near this barbecue.
- ⚠ Improper assembly may be dangerous. Please follow the assembly instructions carefully.
- ⚠ After a period of storage, and/or nonuse, the Weber® gas barbecue should be checked for gas leaks and burner obstructions before use. See instructions in this manual for correct procedures.
- ⚠ Do not operate the Weber® gas barbecue if there is a gas leak present.
- ⚠ Do not use a flame to check for gas leaks.
- ⚠ Combustible materials should never be within 24 inches (61 cm) of the back or sides of your Weber® gas barbecue.
- ⚠ Do not put a barbecue cover or anything flammable on, or in the storage area under the barbecue.
- ⚠ Your Weber® gas barbecue should never be used by children. Accessible parts of the barbecue may be very hot. Keep young children away while it is in use.
- ⚠ You should exercise reasonable care when operating your Weber® gas barbecue. It will be hot during cooking or cleaning and should never be left unattended, or moved while in operation.
- ⚠ Should the burners go out while in operation, turn all gas valves off. Open the lid and wait five minutes before attempting to relight, using the igniting instructions.
- ⚠ Do not use charcoal or lava rock in your Weber® gas barbecue.
- ⚠ Never lean over open grill or place hands or fingers on the front edge of the cookbox.
- ⚠ Should a grease fire occur, turn off all burners and leave lid closed until fire is out.
- ⚠ Do not enlarge valve orifices or burner ports when cleaning the valves or burners.
- ⚠ The Weber® gas barbecue should be thoroughly cleaned on a regular basis.
- ⚠ Liquid propane gas is not natural gas. The conversion or attempted use of natural gas in a liquid propane unit or liquid propane gas in a natural gas unit is dangerous and will void your warranty.
- ⚠ Do not attempt to disconnect any gas fitting while your barbecue is in operation.
- ⚠ Use heat-resistant barbecue mitts or gloves when operating barbecue.
- ⚠ Keep any electrical supply cord and the fuel supply hose away from any heated surfaces.
- ⚠ Combustion byproducts produced when using this product contain chemicals known to the state of California to cause cancer, birth defects, or other reproductive harm.
- ⚠ Do not use this barbecue unless all parts are in place. The unit must be properly assembled according to the assembly instructions.
- ⚠ Do not build this model of grill in any built-in or slide-in construction. Ignoring this Warning could cause a fire or an explosion that can damage property and cause serious bodily injury or death.
- ⚠ Proposition 65 Warning: Handling the brass material on this product exposes you to lead, a chemical known to the state of California to cause cancer, birth defects or other reproductive harm.
(Wash hands after handling this product.) ♦

LIQUID PROPANE GAS UNITS ONLY:

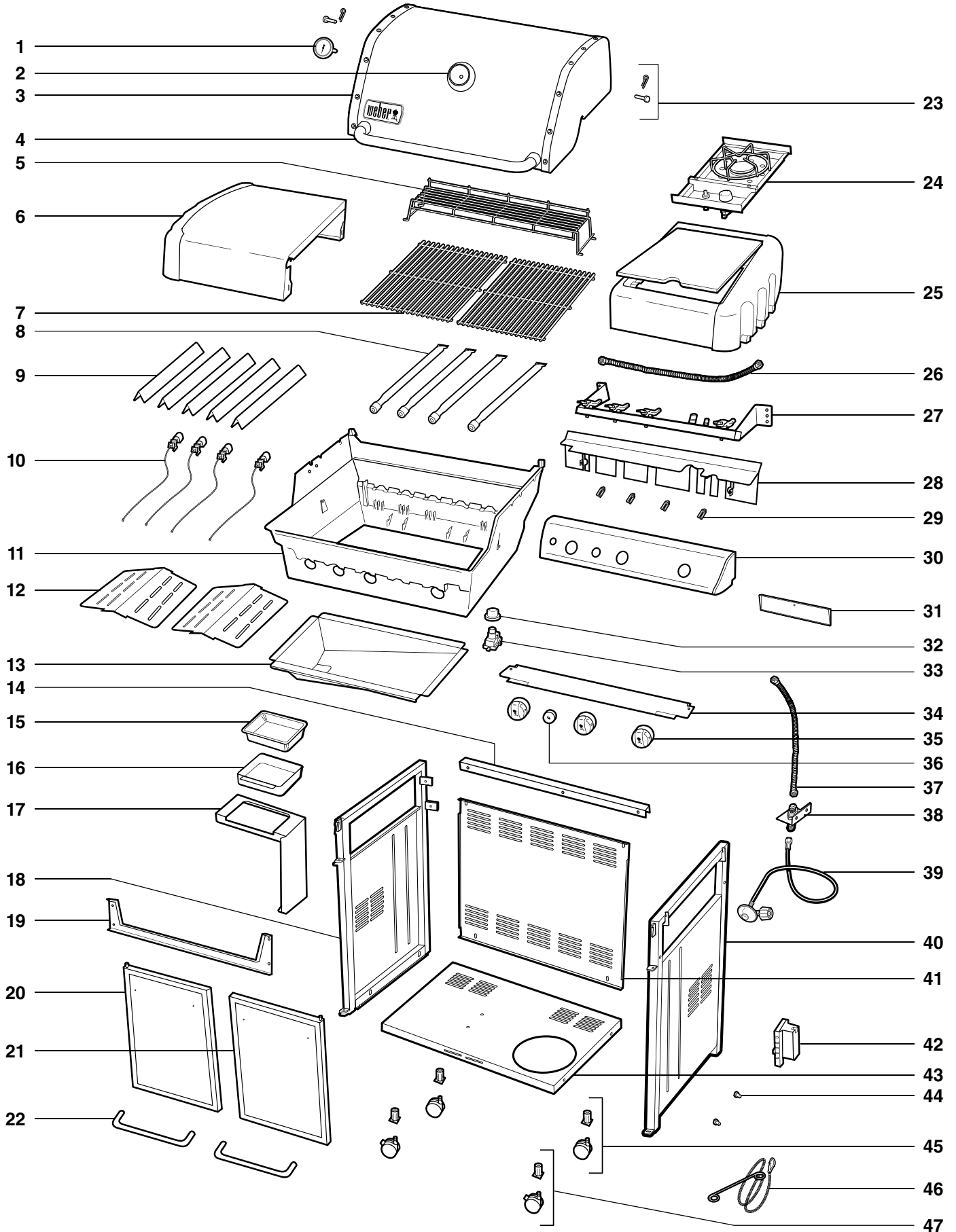
- ⚠ Use the pressure regulator and hose assembly that is supplied with your Weber® gas barbecue.
- ⚠ Do not attempt to disconnect the gas regulator and hose assembly or any gas fitting while your barbecue is in operation.
- ⚠ A dented or rusty liquid propane cylinder may be hazardous and should be checked by your liquid propane supplier. Do not use a liquid propane cylinder with a damaged valve.
- ⚠ Although your liquid propane cylinder may appear to be empty, gas may still be present, and the cylinder should be transported and stored accordingly.
- ⚠ If you see, smell or hear the hiss of escaping gas from the liquid propane cylinder:
 1. Move away from liquid propane cylinder.
 2. Do not attempt to correct the problem yourself.
 3. Call your fire department. ♦

TABLE OF CONTENTS

WARNINGS	2	MAINTENANCE	21
TABLE OF CONTENTS	3	CLEANING	21
EXPLODED VIEW	4	WEBER® SPIDER/INSECT SCREENS	21
EXPLODED VIEW LIST	5	BURNER TUBES CLEANING OR REPLACEMENT	22
WARRANTY	6	ELECTRONIC IGNITION SYSTEM OPERATIONS	24
GENERAL INSTRUCTIONS	7	SIDE BURNER MAINTENANCE	25
CANADIAN INSTALLATION	7	ANNUAL MAINTENANCE	25
OPERATING	7		
STORAGE AND/OR NONUSE	7		
GAS INSTRUCTIONS	8		
SAFE HANDLING TIPS FOR LIQUID PROPANE GAS CYLINDERS	8		
IMPORTANT LP CYLINDER INFORMATION	9		
LEAK CHECK PREPARATION	9		
CHECK FOR GAS LEAKS	11		
REFILLING THE LIQUID PROPANE CYLINDER	12		
BEFORE USING THE GRILL	13		
FUEL LEVEL	13		
SLIDE-OUT GREASE TRAY AND DISPOSABLE DRIP PAN	13		
ELECTRONIC IGNITER INSPECTION	13		
HOSE INSPECTION	13		
MAIN BURNER IGNITION & USAGE	14		
MAIN BURNER IGNITION	14		
TO EXTINGUISH	14		
MAIN BURNER MANUAL IGNITION	15		
TO EXTINGUISH	15		
SEAR STATION® IGNITION & USAGE	16		
SEAR STATION® BURNER IGNITION	16		
SEAR STATION® BURNER MANUAL IGNITION	16		
WHAT IS SEARING?	16		
SEAR STATION® BURNER OPERATION	16		
GRILLING TIPS & HELPFUL HINTS	17		
PREHEATING	17		
COVERED COOKING	17		
DRIPPINGS AND GREASE	17		
FLAVORIZER® SYSTEM	17		
SIDE BURNER IGNITION & USAGE	18		
SIDE BURNER IGNITION	18		
TO EXTINGUISH	18		
SIDE BURNER MANUAL IGNITION	19		
TO EXTINGUISH	19		
TROUBLESHOOTING	20		
SIDE BURNER TROUBLESHOOTING	20		

EXPLODED VIEW • DIAGRAMA DE DESPIECE • VUE ECLATEE

Genesis_330_LP_US_080911



EXPLODED VIEW LIST • LISTA DEL DIAGRAMA DE DESPIECE • LISTE DE LA VUE ECLATEE

- | | | |
|--|---|---|
| 1. Thermometer
Termómetro
Thermomètre | 17. Catch Pan Holder
Soporte del plato recolector
Support pour égouttoir | 33. Igniter Module
Módulo de encendido
Module de l'allumeur |
| 2. Thermometer Bezel
Moldura decorativa del termómetro
Collerette du thermomètre | 18. Left Frame Panel
Panel izquierdo del bastidor
Panneau de châssis gauche | 34. Wind Deflector
Deflector de viento
Déflecteur de vent |
| 3. Shroud
Cubierta
Etui | 19. Front Frame Support
Soporte delantero del bastidor
Support de châssis avant | 35. Control Knob
Perilla de control
Bouton de commande |
| 4. Handle
Asa
Poignée | 20. Left Door
Puerta izquierda
Porte gauche | 36. Sear Station® Knob
Perilla de la estación de dorado Sear Station®
Bouton Sear Station® |
| 5. Warming Rack
Rejilla de calentamiento
Grille de maintien au chaud | 21. Right Door
Puerta derecha
Porte droite | 37. Manifold Hose
Manguera del múltiple
Tuyau du collecteur |
| 6. Left Side Table
Mesa lateral izquierda
Tablette latérale gauche | 22. Door Handle
Asa de la puerta
Poignée de porte | 38. Bulkhead
Tabique divisorio
Tête de brûleur |
| 7. Cooking Grate
Parrilla de cocción
Grille de cuisson | 23. Shroud Hardware
Accesorios de la cubierta
Quincaillerie de l'étui | 39. Hose / Regulator
Manguera / Regulador
Tuyau/Régulateur |
| 8. Burner Tube
Tubo quemador
Tube du brûleur | 24. Side Burner
Quegador lateral
Brûleur latéral | 40. Right Frame Panel
Panel derecho del bastidor
Panneau de châssis droit |
| 9. Flavorizer® Bar
Barra Flavorizer®
Barre Flavorizer® | 25. Side Burner Table
Mesa del quemador lateral
Tablette du brûleur latéral | 41. Back Panel
Panel trasero
Panneau arrière |
| 10. Igniter
Encendedor
Allumeur | 26. Side Burner Gas Line
Línea de gas del quemador lateral
Conduite de gaz du brûleur latéral | 42. Tank Scale
Báscula del tanque
Support de la bouteille |
| 11. Cookbox
Caja de cocción
Boîtier de cuisson | 27. Manifold
Múltiple
Collecteur | 43. Bottom Panel
Panel inferior
Panneau inférieur |
| 12. Heat Deflector
Deflector de calor
Déflecteur de chaleur | 28. Heat Shield
Pantalla contra el calor
Protection anti-chaleur | 44. Tank Glide
Deslizadera del tanque
Glissière de la bouteille |
| 13. Slide-Out Grease Tray
Bandeja deslizante de grasa
Plateau de récupération des graisses amovible | 29. Wire Clips
Grapas de alambre
Pincas de retenue de câbles | 45. Caster
Rueda giratoria
Roulette |
| 14. Rear Frame Support
Soporte posterior del bastidor
Support de châssis arrière | 30. Control Panel
Tablero de control
Panneau de commande | 46. Matchstick Holder
Portacerillos
Porte-allumette |
| 15. Disposable Drip Pan
Bandeja de goteo desechable
Egouttoir jetable | 31. Sear Burner Heat Shield
Pantalla contra el calor del quemador para dorar
Protection anti-chaleur du brûleur Sear | 47. Locking Caster
Rueda giratoria con bloqueo
Roulette à verrouillage |
| 16. Catch Pan
Plato recolector
Egouttoir | 32. Igniter Button
Botón de encendido
Bouton de l'allumeur | |

WARRANTY

Weber-Stephen Products LLC (Weber) hereby warrants to the ORIGINAL PURCHASER of this Weber® gas grill that it will be free of defects in material and workmanship from the date of purchase as follows:

Aluminum castings:	25 years (2 years on paint; excludes fading)
Stainless steel shroud:	25 years
Porcelain-enameled shroud:	25 years
Stainless steel burner tubes:	10 years
Stainless steel cooking grates:	5 years no rust through or burn through
Stainless steel Flavorizer® bars:	5 years no rust through or burn through
Porcelain-enameled cast-iron cooking grates:	5 years no rust through or burn through
Porcelain-enameled cooking grates:	3 years no rust through or burn through
Porcelain-enameled Flavorizer® bars:	2 years no rust through or burn through
Infrared rotisserie burner:	2 years
All remaining parts:	2 years

when assembled and operated in accordance with the printed instructions accompanying it. Weber may require reasonable proof of your date of purchase. THEREFORE, YOU SHOULD RETAIN YOUR SALES SLIP OR INVOICE.

This Limited Warranty shall be limited to the repair or replacement of parts that prove defective under normal use and service and which on examination shall indicate, to Weber's satisfaction, they are defective. Before returning any parts, contact the Customer Service Representative in your area using the contact information on our website. If Weber confirms the defect and approves the claim, Weber will elect to replace such parts without charge. If you are required to return defective parts, transportation charges must be prepaid. Weber will return parts to the purchaser, freight or postage prepaid.

This Limited Warranty does not cover any failures or operating difficulties due to accident, abuse, misuse, alteration, misapplication, vandalism, improper installation or improper maintenance or service, or failure to perform normal and routine maintenance, including but not limited to damage caused by insects within the burner tubes, as set out in this owner's manual.

Deterioration or damage due to severe weather conditions such as hail, hurricanes, earthquakes or tornadoes, discoloration due to exposure to chemicals either directly or in the atmosphere, is not covered by this Limited Warranty.

There are no other express warranties except as set forth herein and any applicable implied warranties of merchantability and fitness are limited in duration to the period of coverage of this express written Limited Warranty. Some regions do not allow limitation on how long an implied warranty lasts, so this limitation may not apply to you.

Weber is not liable for any special, indirect or consequential damages. Some regions do not allow the exclusion or limitation of incidental or consequential damages, so this limitation or exclusion may not apply to you.

Weber does not authorize any person or company to assume for it any other obligation or liability in connection with the sale, installation, use, removal, return, or replacement of its equipment; and no such representations are binding on Weber.

This Warranty applies only to products sold at retail.

WEBER-STEPHEN PRODUCTS LLC
Customer Service Center
90 West Hillcrest Boulevard, Suite 308
Schaumburg, IL 60195
USA

For replacement parts, call:
1-800-446-1071

Visit www.weber.com®, select your country of origin, and register your grill today. ♦

GENERAL INSTRUCTIONS

Your Weber® gas barbecue is a portable outdoor cooking appliance. With the Weber® gas barbecue you can grill, barbecue, roast and bake with results that are difficult to duplicate with indoor kitchen appliances. The closed lid and Flavorizer® bars produce that “outdoor” flavor in the food.

The Weber® gas barbecue is portable so you can easily change its location in your yard or on your patio. Portability means you can take your Weber® gas barbecue with, if you move.

Liquid Propane (LP) gas supply is easy to use and gives you more cooking control than charcoal fuel.

- These instructions will give you the minimum requirements for assembling your Weber® gas barbecue. Please read the instructions carefully before using your Weber® gas barbecue. Improper assembly can be dangerous.
- Not for use by children.
- If there are local codes that apply to portable gas grills, you will have to conform to them. Installation must conform with local codes or, in the absence of local codes, with either the National Fuel Gas Code, ANSI Z223.1/NFPA 54, Natural Gas and Propane Installation Code, CSA B149.1, or Propane Storage and Handling Code, B149.2, or the Standard for Recreational Vehicles, ANSI A 119.2/NFPA 1192, and CSA Z240 RV Series, Recreational Vehicle Code, as applicable.
- The pressure regulator supplied with the Weber® gas barbecue must be used. This regulator is set for 11 inches of water column (pressure).
- This Weber® gas barbecue is designed for use with liquid propane (LP) gas only. Do not use with natural (piped in city) gas. The valves, orifices, hose and regulator are for LP gas only.
- Do not use with charcoal fuel.
- Check that the area under the control panel and the slide out grease tray are free from debris that might obstruct the flow of combustion or ventilation air.
- The areas around the LP cylinder must be free and clear from debris.
- Replacement pressure regulators and hose assemblies must be those specified by Weber-Stephen Products LLC. ♦

CANADIAN INSTALLATION

These instructions, while generally acceptable, do not necessarily comply with the Canadian Installation codes, particularly with piping above and below ground. In Canada, the installation of this appliance must comply with local codes and/or the latest edition of Standard CAN/CSA-B149.2 (Propane Storage and Handling Code). ♦

OPERATING

- ⚠ **WARNING: Only use this barbecue outdoors in a well-ventilated area. Do not use in a garage, building, breezeway or any other enclosed area.**
- ⚠ **WARNING: Keep ventilation openings for cylinder enclosure free and clear from debris.**
- ⚠ **WARNING: Your Weber® gas barbecue shall not be used under overhead combustible construction.**
- ⚠ **WARNING: Your Weber® gas barbecue is not intended to be installed in or on recreational vehicles and/or boats.**
- ⚠ **WARNING: Do not use the barbecue within 24 inches of combustible materials.**
- ⚠ **WARNING: The entire cookbox gets hot when in use. Do not leave unattended.**
- ⚠ **WARNING: Keep electrical supply cord and the fuel supply hose away from heated surfaces.**
- ⚠ **WARNING: Keep the cooking area clear of flammable vapors and liquids such as gasoline, alcohol, etc., and combustible materials.**
- ⚠ **WARNING: Never store an extra (spare) LP cylinder under or near the Weber® gas barbecue.**
- ⚠ **WARNING: The LP cylinder used with your barbecue must be with a listed OPD (Overfilling Prevention Device) and a QCC1 or Type 1 (CGA810) cylinder connection. The cylinder connection must be compatible with the barbecue connection.** ♦

STORAGE AND/OR NONUSE

- The gas must be turned off at the liquid propane cylinder when the Weber® gas barbecue is not in use.
- When the Weber® gas barbecue is stored indoors, the gas supply must be DISCONNECTED and the LP cylinder stored outdoors in a well-ventilated space.
- LP cylinder must be stored outdoors in a well-ventilated area out of reach of children. Disconnected LP cylinder must not be stored in a building, garage or any other enclosed area.
- When the LP cylinder is not disconnected from the Weber® gas barbecue, the appliance and LP tank must be kept outdoors in a well-ventilated space.
- The Weber® gas barbecue should be checked for gas leaks and any obstructions in the burner tubes before using. (Refer to “MAINTENANCE/ANNUAL MAINTENANCE”).
- Check that the areas under the control panel and the drip tray are free from debris that might obstruct the flow of combustion or ventilation air.
- The Spider/Insect screens should also be checked for any obstructions. (Refer to “MAINTENANCE/ANNUAL MAINTENANCE”). ♦

GAS INSTRUCTIONS

SAFE HANDLING TIPS FOR LIQUID PROPANE GAS CYLINDERS

- Liquid Propane (LP) gas is a petroleum product as are gasoline and natural gas. LP gas is a gas at regular temperatures and pressures. Under moderate pressure, inside a cylinder, LP gas is a liquid. As the pressure is released, the liquid readily vaporizes and becomes gas.
- LP gas has an odor similar to natural gas. You should be aware of this odor.
- LP gas is heavier than air. Leaking LP gas may collect in low areas and prevent dispersion.
- To fill, take the LP cylinder to a propane gas dealer, or look up “gas-propane” in the phone book for other sources of LP gas.

⚠ WARNING: We recommend that your LP cylinder be filled at an authorized LP gas dealer, by a qualified attendant, who fills the tank by weight. IMPROPER FILLING IS DANGEROUS.

- Air must be removed from a new LP cylinder before the initial filling. Your LP dealer is equipped to do this.
- The LP cylinder must be installed, transported, and stored in an upright position. LP cylinders should not be dropped or handled roughly.
- Never store or transport the LP cylinder where temperatures can reach 125° F (too hot to hold by hand). For example: do not leave the LP cylinder in a car on a hot day.

Note: A refill will last about 18–20 hours of cooking time at normal use. The fuel scale, a feature on some of our grills, will indicate the propane supply so you can refill the cylinder before running out. You do not have to run out before you refill.

- Treat “empty” LP cylinders with the same care as when full. Even when the LP tank is empty of liquid, there still may be gas pressure in the cylinder. Always close the cylinder valve before disconnecting.

⚠ CAUTION: Place dust cap on cylinder valve outlet whenever the cylinder is not in use. Only install the type of dust cap on the cylinder valve outlet that is provided with the cylinder valve. Other types of caps or plugs may result in leakage of propane.

- Do not use a damaged LP cylinder. A dented or rusty LP cylinder or an LP cylinder with a damaged valve may be hazardous and should be replaced with a new one immediately.
- The joint where the hose connects to the LP cylinder must be leak tested each time the LP cylinder is reconnected. For example, test each time the LP cylinder is refilled.
- Be sure the regulator is mounted with the small vent hole pointed downward so that it will not collect water. This vent should be free of dirt, grease, bugs, etc.
- The gas connections supplied with your Weber® gas appliance have been designed and tested to meet 100% CSA and ANSI requirements.

⚠ WARNING: Replacement LP tanks must match the regulator connection supplied with this Weber® gas appliance.

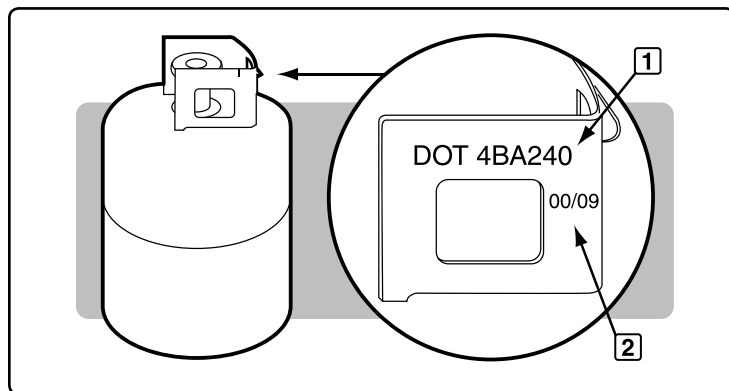
Liquid Propane Cylinder Requirements

- Check to be sure that cylinders have a D.O.T. certification (1), and that they have been date tested (2) is within five years of use. Your LP gas supplier can do this for you.
- All LP tank supply systems must include a collar to protect the cylinder valve.
- The LP cylinder must be a 20-lb. size approximately 18¼ inches high and 12¼ inches in diameter.
- The cylinder must be constructed and marked in accordance with the Specifications for LP - Gas Cylinders of the U.S. Department of Transportation (D.O.T.) or the National Standard of Canada, CAN/CSA-B339, Cylinders, Spheres and Tubes or Transportation of Dangerous Goods; and Commission, as applicable.

Canadian Liquid Propane Cylinder Requirements

Note: Your retailer can help you match a replacement tank to your barbecue.

- The LP cylinder must be constructed and marked in accordance with the specifications for LP gas cylinders, T.C. ♦



GAS INSTRUCTIONS

IMPORTANT LP CYLINDER INFORMATION

⚠ DANGER

NEVER store a spare LP cylinder under or near Weber® gas appliances. **NEVER** fill the tank beyond 80% full. Failure to follow these statements exactly may result in a fire causing death or serious injury.

Weber® gas appliances are equipped for a cylinder supply system designed for vapor withdrawal.

⚠ WARNING: Only use Weber® gas appliances outdoors in a well-ventilated area. Do not use in a garage, building, breezeway or any other enclosed area.

The proper filling methods for the filling of your cylinder are by weight or volume, as described in NFPA 58. Please make sure your filling station fills your LP cylinder by weight or volume. Ask your filling station to read purging and filling instructions on the LP cylinder before attempting to fill. ♦

LEAK CHECK PREPARATION

Check that all Burner Valves are Off

Valves are shipped in the OFF position, but you should check to be sure that they are turned off. Check by pushing down and turning clockwise. If they do not turn, they are off. If they do turn, continue turning them clockwise until they stop, then they are off.

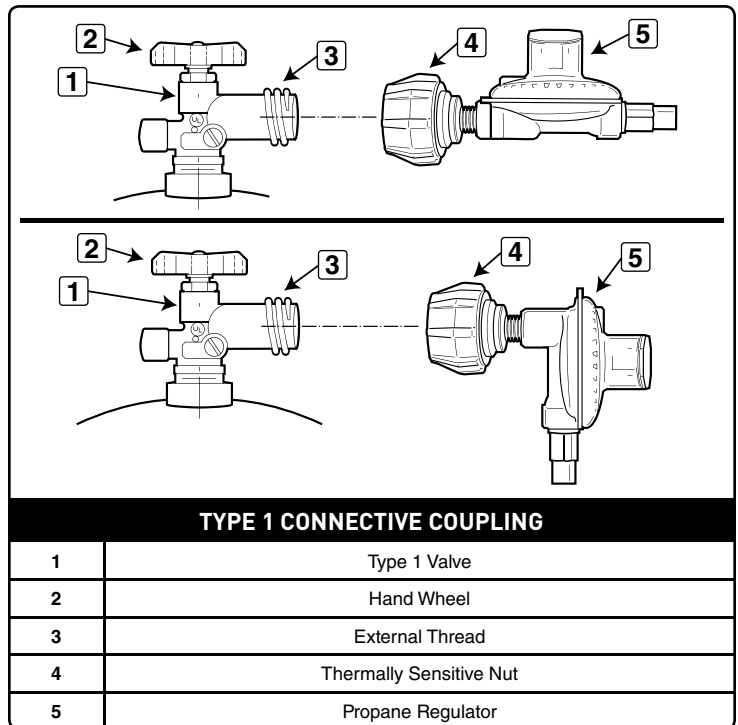
The Liquid Propane Cylinder

All Weber® liquid propane gas grill regulators are equipped with a UL-Listed tank connection as per the latest edition of ANSI Z21.58. This will require a liquid propane tank that is similarly equipped with a Type 1 connection in the tank valve. This Type 1 coupling allows you to make a fast and totally safe hookup between your gas grill and your liquid propane tank. It eliminates the chance of leaks due to a POL fitting that is not properly tightened. Gas will not flow from the tank unless the Type 1 coupling is fully engaged into the coupling.

⚠ WARNING: Make sure that the LP cylinder valve is closed. Close by turning valve clockwise.

⚠ DANGER

Do not use an open flame to check for gas leaks. Be sure there are no sparks or open flames in the area while you check for leaks. Sparks or flames will result in a fire or explosion which can cause serious bodily injury or death, and damage to property.



GAS INSTRUCTIONS

- A) Open base cabinet doors. Bring regulator and hose forward out of cabinet (1).
- B) Locate hose retention clip (2) on regulator hose. Secure into slot (3) on underside of tank scale.

⚠ WARNING: The hose must be secured to the tank scale with the Hose Retention Clip. Failure to do so could cause damage to the hose resulting in a fire or explosion which can cause serious bodily injury or death, and damage to property.

Some LP tanks have differing top collar assemblies. (The top collar is the metal protective ring around the valve.) One series of tanks mount with the valve facing front (4). The other tanks mount with the valve facing away from the fuel scale (5). Weber recommends the use of cylinder manufacturer's Manchester and Worthington, with a 47.6 lb water capacity. Other cylinders may be acceptable for use with the appliance provided they are compatible with the appliance retention means (see illustrations).

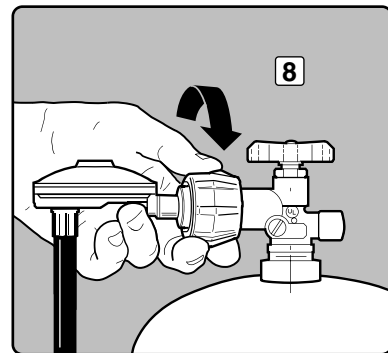
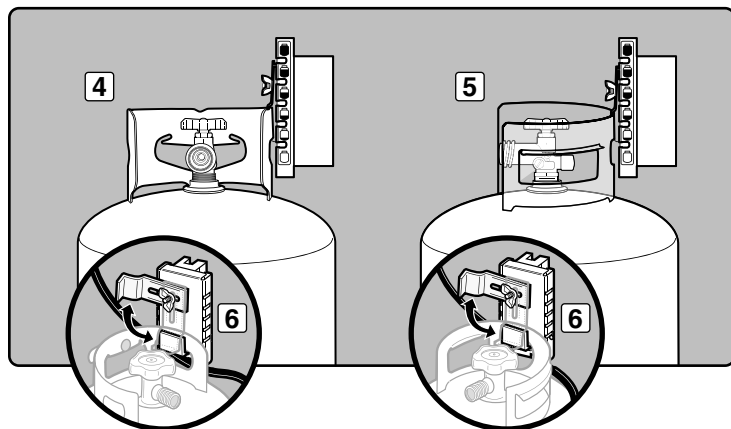
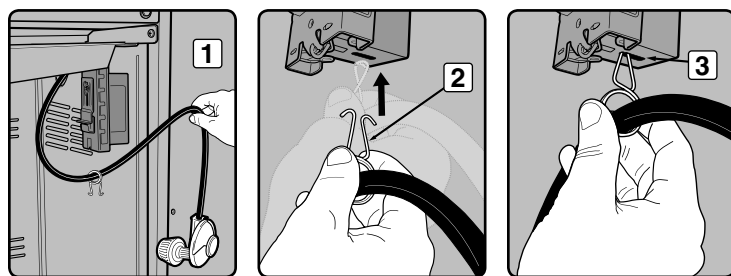
- The LP cylinder is installed inside the base cabinet, on the tank scale (right side).
- C) Loosen cylinder lock wing nut. Swing cylinder lock up (6).
- D) Turn the LP cylinder so the opening of the valve is either to the front or side of the Weber® gas barbecue.
- E) Lift tank up into position on the tank scale (7).
- F) Swing the cylinder lock down. Tighten the wing nut.

Connect the Hose to the Cylinder

- A) Remove the plastic dust cover from the valve.
- B) Screw the regulator coupling onto the tank valve, clockwise, or to the right (8). Hand-tighten only.

Note: This connection tightens clockwise and will not allow gas to flow unless the connection is tight. The connection requires tightening by hand only.

⚠ WARNING: Do not use a wrench to tighten the connection. Using a wrench could damage the regulator coupling and could cause a leak. ♦



GAS INSTRUCTIONS

Remove Control Knobs & Control Panel for Leak Testing

You will need: Phillips & flathead screwdrivers.

- Locate door pin release in door assembly. Using a screwdriver, push down on door pin release (1) until door detaches from frame assembly. Pull top of door away from frame assembly (2) and lift door off bottom adjustable hinge pin.
- Remove control knobs, igniter button, retention nut, and battery (3).
- Remove screws from wind deflector with a Phillips screwdriver (4).
- Tilt end of wind deflector down and slide wind deflector away to remove (5).
- Let igniter module dangle from wires. Do not disconnect (6).
- Remove screws from underside of control panel with Phillips screwdriver (7).
- Lift control panel up slightly, tilt up front edge and gently lift up (8).
- Replace control panel and wind deflector when leak check is completed. ♦

CHECK FOR GAS LEAKS

⚠ DANGER

Do not use an open flame to check for gas leaks. Be sure there are no sparks or open flames in the area while you check for leaks. Sparks or open flames will result in a fire or explosion, which can cause serious bodily injury or death and damage to property.

Note: All factory-made connections have been thoroughly checked for gas leaks. The burners have been flame-tested. As a safety precaution, however, you should recheck all fittings for leaks before using your Weber® gas barbecue. Shipping and handling may loosen or damage a gas fitting.

- ⚠ **WARNING: The gas connections of your gas grill have been factory tested. We do however recommend that you leak check all gas connections before operating your gas grill.**
- ⚠ **WARNING: Perform these leak checks even if your barbecue was dealer or store assembled.**

If your grill has a side burner, make sure the side burner is turned off.

Turn on gas supply at source.

- ⚠ **WARNING: Do not ignite burners when leak checking.**

You will need: A soap and water solution and a rag or brush to apply it.

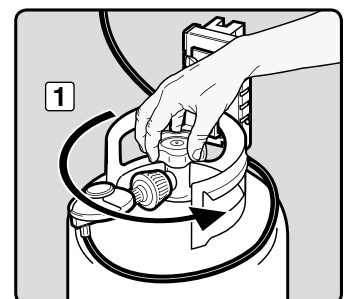
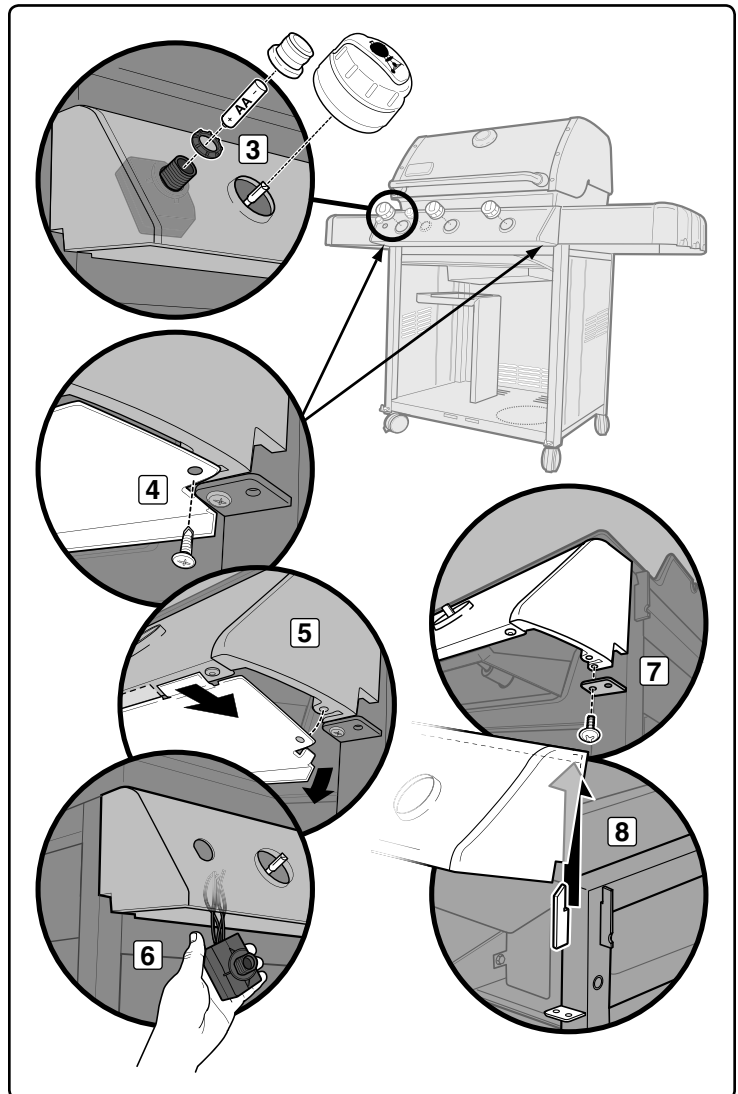
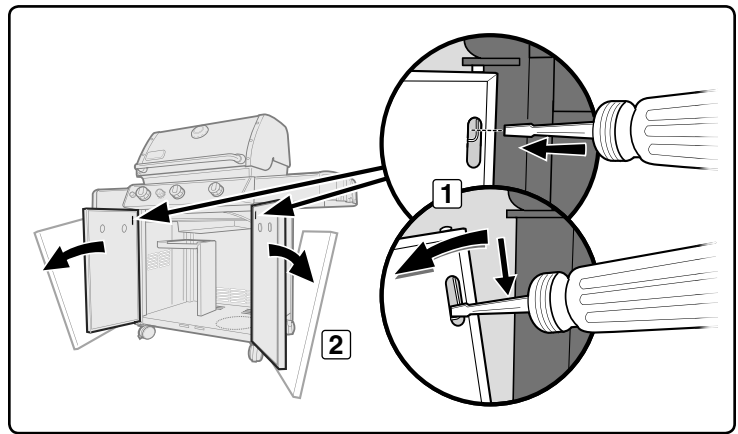
- Mix soap and water.
- Turn on gas supply (1).
- Check for leaks by wetting the fitting with the soap and water solution and watching for bubbles. If bubbles form, or if a bubble grows, there is a leak.

If there is a leak, turn off the gas and tighten the fitting. Turn the gas back on and recheck with the soap and water solution. If leak does not stop, do not use the barbecue. Contact the Customer Service representative in your area using the contact information on our web site. Log onto www.weber.com.

- When leak checking is complete, turn gas supply off at the source and rinse connections with water.

Note: Since some leak test solutions, including soap and water, may be slightly corrosive, all connections should be rinsed with water after checking for leaks.

- ⚠ **WARNING: You should check for gas leaks every time you disconnect and reconnect a gas fitting.**



GAS INSTRUCTIONS

Check

- A) Regulator hose to bulkhead connection (1).
 - B) Main gas line to bulkhead connection (2).
 - C) Main gas line to manifold connections (3).
 - D) Side burner gas line to manifold connection (4).
 - E) Side burner pipe fitting to side burner cup (5).
 - F) Side burner pipe fitting to side burner valve connections (6).
- ⚠ **WARNING: If there is a leak at connection (1, 2, 3, 4, 5, or 6), re-tighten the fitting with a wrench and recheck for leaks with soap and water solution. If a leak persists after re-tightening the fitting, turn OFF the gas. DO NOT OPERATE THE GRILL. Contact the Customer Service Representative in your area using the contact information on our web site. Log onto www.weber.com.**

- G) Side burner quick disconnect connection (7).
- H) Regulator hose to cylinder connection (8).
- I) Regulator hose to regulator connection (9).
- J) Valves to manifold connections (10).

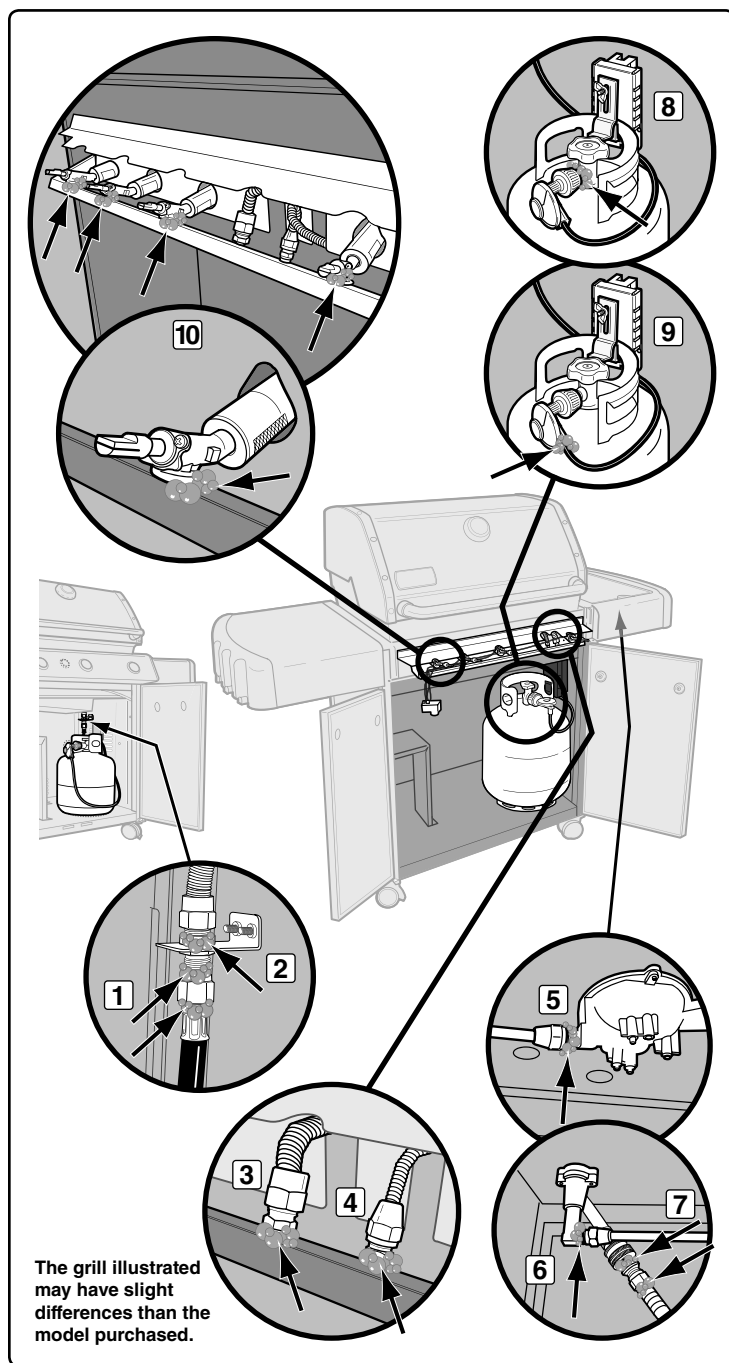
- ⚠ **WARNING: If there is a leak at connections (7, 8, 9 or 10), turn OFF the gas. DO NOT OPERATE THE GRILL. Contact the Customer Service Representative in your area using the contact information on our web site. Log onto www.weber.com.**

When leak checks are complete, turn gas supply OFF at the source and rinse connections with water.

Reinstall Control Panel

You will need: Phillips screwdriver.

- A) Position top edge of control panel on tabs of frame. Push down into position.
- B) Reinstall igniter module.
- C) Slide both shorter wind deflector tabs toward inside edge of control panel while you slide longer tab over outside edge. Seek previous illustrations for reference.
- D) Line up screws with screw holes on both control panel bracket and frame.
- E) Tighten screws.
- F) Place corresponding control knobs onto valve stems. ♦



REFILLING THE LIQUID PROPANE CYLINDER

We recommend that you refill the LP cylinder before it is completely empty.

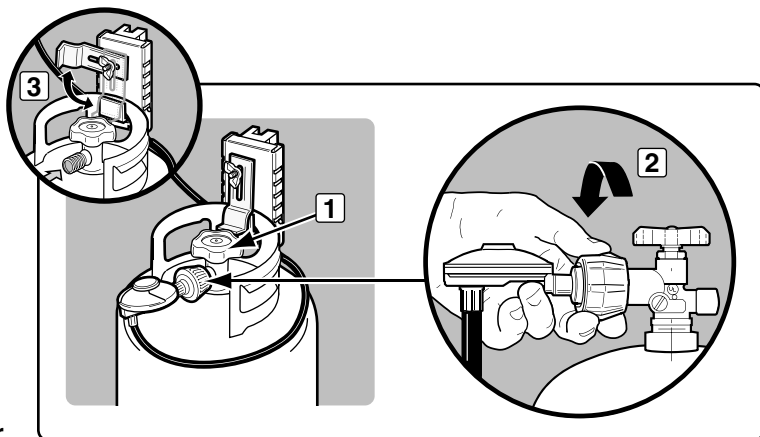
Removal of the LP cylinder:

- A) Close cylinder valve (turn clockwise) (1).
- B) Unscrew regulator coupling by turning counterclockwise, by hand only (2).
- C) Loosen cylinder lock wing nut and turn cylinder lock up out of the way (3).
- D) Lift cylinder off.

To fill, take the LP cylinder to a gas propane dealer, or look up "gas-propane" in the phone book for other sources of LP gas.

- ⚠ **WARNING: We recommend that your LP cylinder be filled at an authorized LP gas dealer, by a qualified attendant, who fills the cylinder by weight. IMPROPER FILLING IS DANGEROUS.**

- ⚠ **CAUTION: Place dust cap on cylinder valve outlet whenever the cylinder is not in use. Only install the type of dust cap that is provided with the cylinder valve. Other types of caps or plugs may result in leakage of propane. ♦**

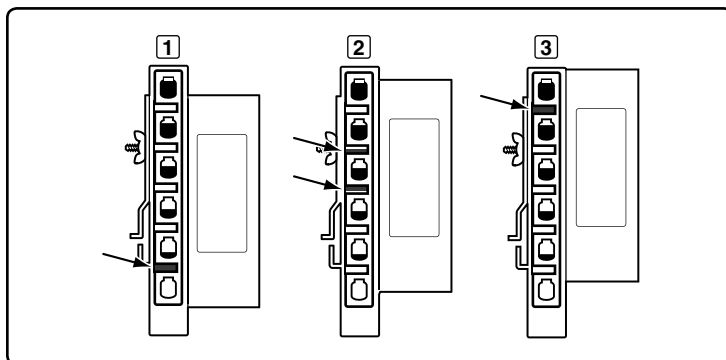


BEFORE USING THE GRILL

FUEL LEVEL

Check the fuel level by viewing the color indicator level line, located on the side of the tank scale.

- A) Empty (1)
- B) Medium (2)
- C) Full (3) ♦



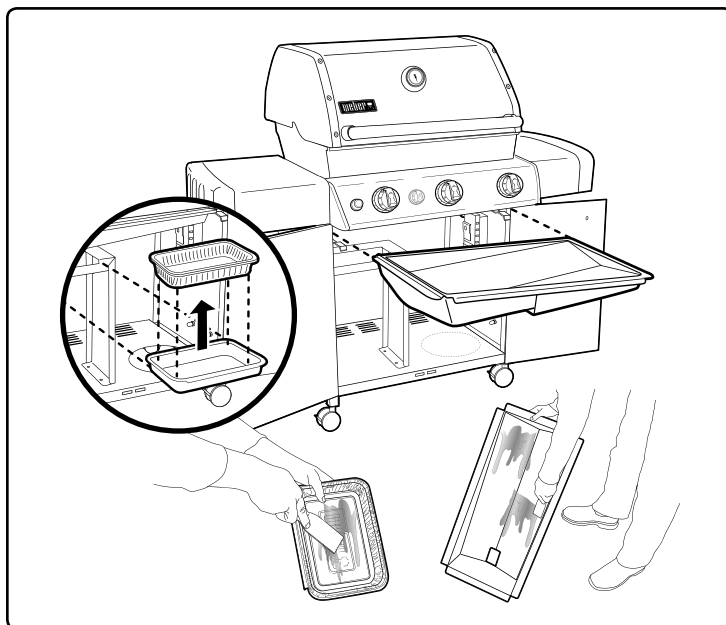
SLIDE-OUT GREASE TRAY AND DISPOSABLE DRIP PAN

Your grill was built with a grease collection system. Check the slide-out grease tray and disposable drip pan for grease build-up each time you use your grill.

Remove excess grease with a plastic spatula; see illustration. When necessary, wash the grease tray and drip pan with a soap and water solution, then rinse with clean water. Replace the disposable drip pan as needed.

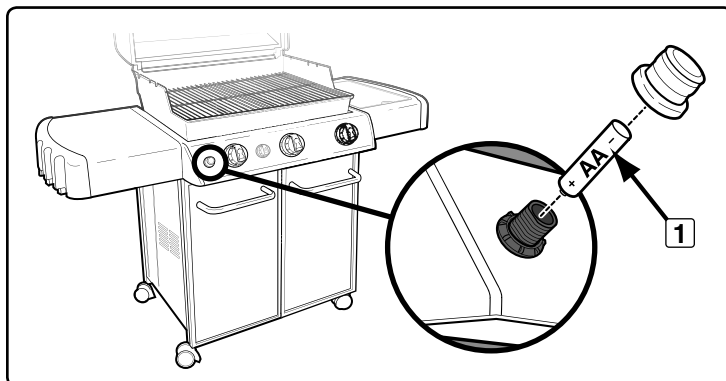
⚠ WARNING: Check the slide-out grease tray and disposable drip pan for grease build-up before each use. Remove excess grease to avoid a grease fire. A grease fire can cause serious bodily injury or damage to property.

⚠ CAUTION: Do not line the slide-out grease tray with aluminum foil. ♦



ELECTRONIC IGNITER INSPECTION

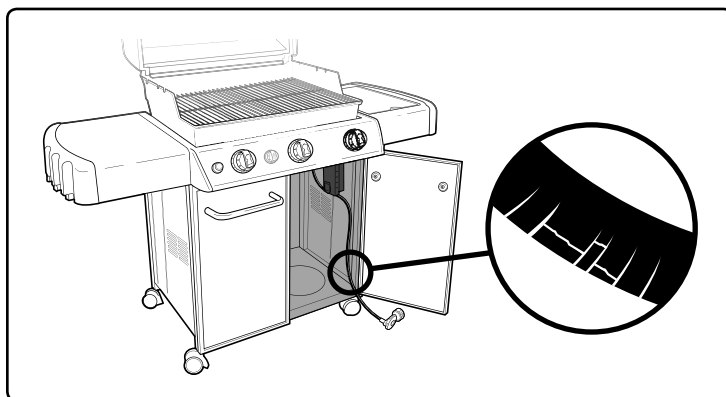
Verify that your AA battery (alkaline only) is in good condition and that it is installed correctly (1). Some batteries have a plastic protective wrap around them. This plastic must be removed. Do not confuse this plastic with the battery label. ♦



HOSE INSPECTION

The hose should be inspected for any signs of cracking.

⚠ WARNING: Check hose before each use of barbecue for nicks, cracking, abrasions or cuts. If the hose is found to be damaged in any way, do not use the barbecue. Replace using only Weber® authorized replacement hose. Contact the Customer Service Representative in your area using the contact information on our web site. Log onto www.weber.com®. ♦



MAIN BURNER IGNITION & USAGE

MAIN BURNER IGNITION

Note: Summary lighting instructions are inside the left-hand cabinet door.

⚠ DANGER

Failure to open the lid while igniting the barbecue's burners, or not waiting five minutes to allow the gas to clear if the barbecue does not light, may result in an explosive flare-up which can cause serious bodily injury or death.

- A) Open the lid (1).
- B) Make sure all burner control knobs are turned off (2). (Push control knob in and turn it clockwise to ensure that it is in the OFF position.)

⚠ **WARNING:** The burner control knobs must be in the OFF position before turning on the LP cylinder valve (3). If they are not in the OFF position, when you turn on the LP cylinder valve, the "excess gas flow control" feature will activate, limiting the flow of gas from the LP cylinder. If this should occur, turn OFF the LP cylinder valve and burner control knobs. Start over.

⚠ DANGER

When the "excess gas flow control" feature is activated, a small amount of gas is still flowing to the burners. After turning off the LP cylinder valve and burner control knobs, wait at least five minutes for the gas to clear before attempting to light the grill. Failure to do so may result in an explosive flare-up, which can cause serious bodily injury or death.

- C) Turn the cylinder on by slowly turning the cylinder valve counterclockwise (3).

Electronic Ignition System

Each control knob operates an individual burner, and each burner ignites with an electronic igniter. The electronic ignition system ignites each burner individually with a spark from the igniter electrode inside the Gas Catcher™ ignition chamber. You generate the energy for the spark by pushing the electronic ignition button. You will hear it clicking.

- D) Ignite the burners individually from left to right. Begin with the burner on the left; push control knob in and turn it to START/HI (4). Push and hold in the electronic ignition button (5). You will hear it clicking. Check that the left burner is lit by looking through the cooking grates. You should see a flame (6).

⚠ **WARNING:** Do not lean over the open barbecue.

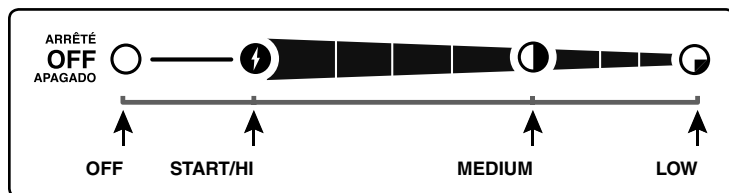
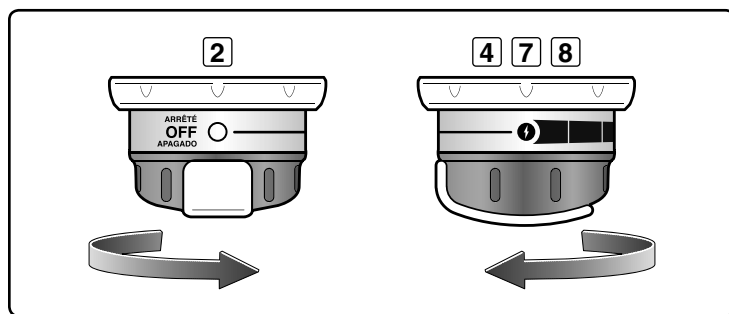
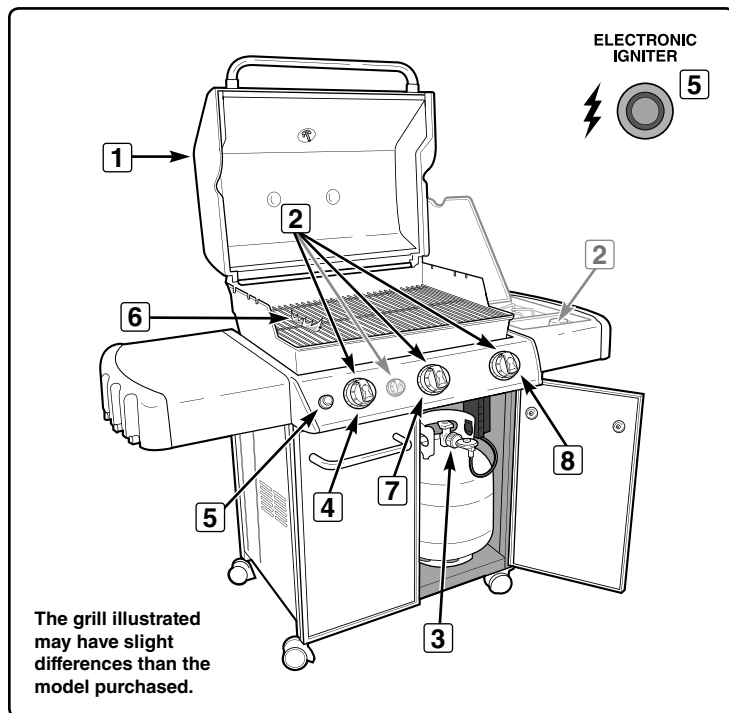
- E) Ignite center burner by pushing control knob in and turning it to START/HI (7). Then, push and hold in the electronic ignition button (5). You will hear it clicking. Check that the center burner is lit by looking through the cooking grates.
- F) Ignite right burner by pushing control knob in and turning it to START/HI (8). Push and hold in the electronic ignition button (5). You will hear it clicking. Confirm that the right burner is lit by looking through the cooking grates.

⚠ **WARNING:** Each burner must be ignited individually by pushing the electronic ignition button. Failure to do so may cause a flare-up of gas which can cause serious bodily injury and damage to property.

⚠ **WARNING:** If any burner fails to ignite during lighting, within five seconds, stop, turn the burner control knob to OFF and wait five minutes to allow the gas to clear before you try again or light with a match. ♦

TO EXTINGUISH

Push in and turn each burner control knob clockwise to the OFF position. Turn gas supply off at the source. ♦



MAIN BURNER IGNITION & USAGE

MAIN BURNER MANUAL IGNITION

⚠ DANGER

Failure to open the lid while igniting the barbecue's burners, or not waiting five minutes to allow the gas to clear if the barbecue does not light, may result in an explosive flare-up which can cause serious bodily injury or death.

- A) Open the lid (1).
- B) Make sure all burner control knobs are turned off (2). (Push control knob in and turn it clockwise to ensure that it is in the OFF position.)

⚠ **WARNING:** The burner control knobs must be in the OFF position before turning on the LP cylinder valve (3). If they are not in the OFF position, when you turn on the LP cylinder valve, the "excess gas flow control" feature will activate, limiting the flow of gas from the LP cylinder. If this should occur, turn OFF the LP cylinder valve and burner control knobs. Start over.

⚠ DANGER

When the "excess gas flow control" feature is activated, a small amount of gas is still flowing to the burners. After turning off the LP cylinder valve and burner control knobs, wait at least five minutes for the gas to clear before attempting to light the grill. Failure to do so may result in an explosive flare-up, which can cause serious bodily injury or death.

- C) Turn the cylinder on by slowly turning the cylinder valve counterclockwise (3).
- D) Ignite the burners individually from left to right. Begin with the burner on the left. Put match in the match holder and strike match. Insert match holder with lit match down through cooking grates, past the Flavorizer® bars and adjacent to the left burner (4). Push control knob in (5) and turn it to START/Hi to ignite the left burner. Check that the left burner is lit by looking through the cooking grates. You should see a flame (6).

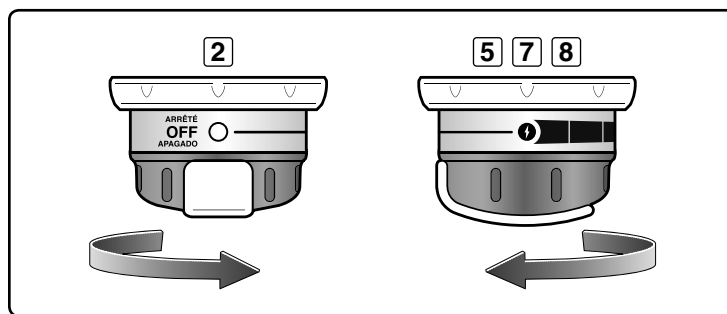
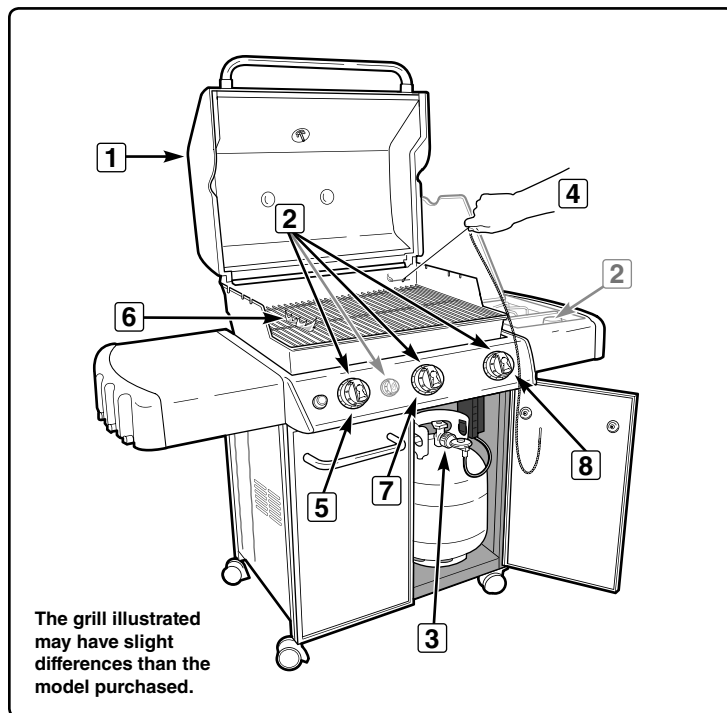
⚠ **WARNING:** Do not lean over the open barbecue.

- E) Ignite center burner by putting match in the match holder and striking match. Then, insert match holder with lit match down through cooking grates, past the Flavorizer® bars and adjacent to the center burner. Push control knob in (7) and turn it to START/Hi to ignite the center burner. Check that the center burner is lit by looking through the cooking grates.
- F) Ignite right burner by putting match in the match holder and striking match. Then, insert match holder with lit match down through cooking grates, past the Flavorizer® bars and adjacent to the right burner. Push control knob in (8) and turn it to START/Hi to ignite the right burner. Check that the right burner is lit by looking through the cooking grates.

⚠ **WARNING:** If any burner fails to ignite during lighting, within five seconds, stop, turn the burner control knob to OFF and wait five minutes to allow the gas to clear before you try again. ♦

TO EXTINGUISH

Push in and turn each burner control knob clockwise to the OFF position. Turn gas supply off at the source. ♦



SEAR STATION® IGNITION & USAGE

SEAR STATION® BURNER IGNITION

The 330 model includes a sear burner, which operates as an individual burner. Ignition of the sear burner is the same as ignition of a main burner. To ignite the sear burner refer to "MAIN BURNER IGNITION". **Follow all steps, dangers, and warnings when igniting the sear burner as you would when igniting a main burner.** ♦

SEAR STATION® BURNER MANUAL IGNITION

To manually ignite the sear burner, refer to "MAIN BURNER MANUAL IGNITION". **Follow all steps, dangers, and warnings when manually igniting the sear burner as you would when manually igniting a main burner.** ♦

WHAT IS SEARING?

Searing is a direct grilling technique used on meats, such as steak, poultry parts, fish, and chops. Searing browns the surface of the food at a high temperature. By searing or browning both sides of the meat, you caramelize the food surface, creating a more desirable flavor. Searing will also enhance appearance of the meat with sear marks from the cooking grates. The resulting contrast of textures and flavors can make food more interesting to the palate.

As you gain experience in using your Sear Station®, we encourage you to experiment with different searing times to find results that work best for your taste. ♦

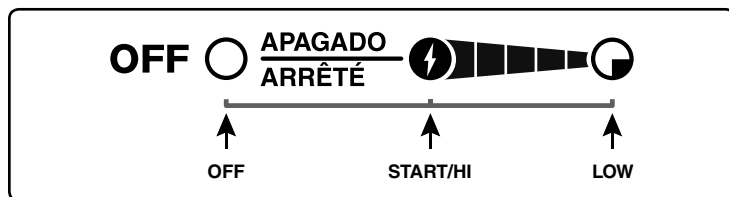
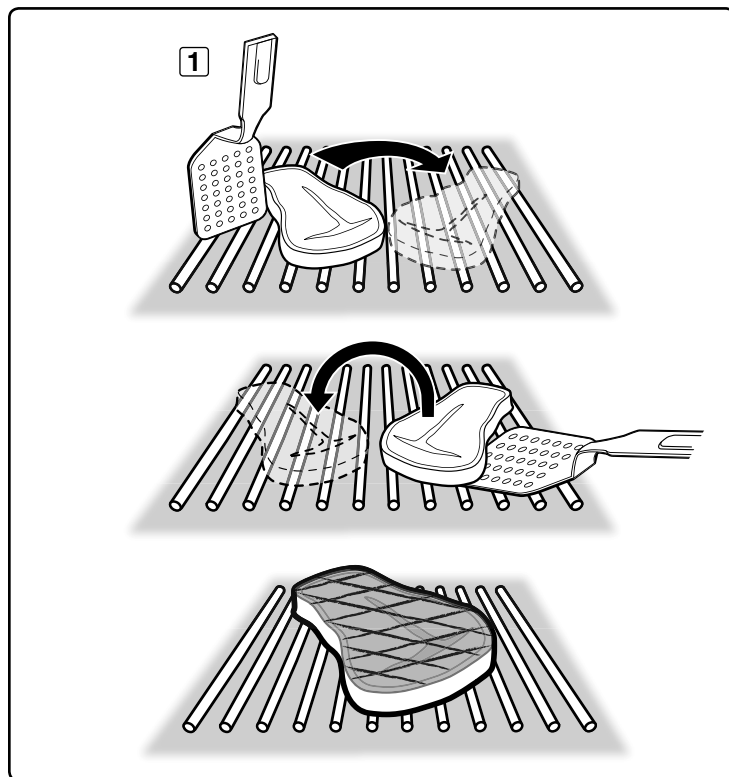
SEAR STATION® BURNER OPERATION

The Sear Station® burner has OFF, START/HI, and LOW control settings that work with the left and center burners. With the sear and adjacent burners, you can effectively sear meats while using the right burner cooking area for grilling with moderate heat.

Before searing food, you should turn all of the main burners on HI for ten to fifteen minutes to preheat the grill. Once the grill is preheated, turn the right burner to OFF or LOW. Leave the left and center burners on HI and ignite the Sear Station® burner.

Place the meat directly over the Sear Station®. You will sear each side anywhere from one to four minutes, depending on the type and thickness of the meat. You may turn the food a quarter turn to make crossing sear marks (1) before you sear the other side in the same manner.

Once you are done searing it, you can finish grilling the meat by moving it to a more moderate heat over the right burner to achieve the desired doneness. Always grill with the lid closed to allow for maximum heat and to avoid flare-ups. ♦



GRILLING TIPS & HELPFUL HINTS

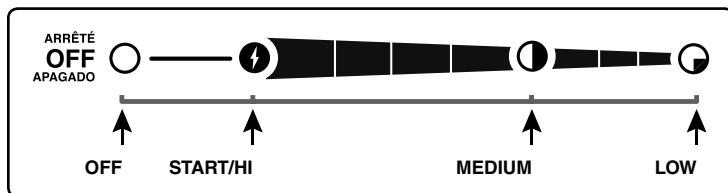
- Always preheat the grill before cooking. Set all burners on HI heat and close lid; heat for 10 minutes, or until thermometer registers 500° – 550° F (260° – 288°C).
- Sear meats and cook with the lid down for perfectly grilled food every time.
- Grilling times in recipes are based on 70°F (20°C) weather and little or no wind. Allow more cooking time on cold or windy days, or at higher altitudes. Allow less cooking time in extremely hot weather.
- Grilling times can vary because of the weather, or the amount, size, and shape of the food being grilled.
- The temperature of your gas grill may run hotter than normal for the first few uses.
- Grilling conditions may require adjustment of the burner controls to attain the correct cooking temperatures.
- In general, large pieces of meat will require more cooking time per pound than small pieces of meat. Foods on a crowded cooking grate will require more cooking time than just a few foods. Foods grilled in containers, such as baked beans, will require more time if grilled in a deep casserole rather than a shallow baking pan.
- Trim excess fat from steaks, chops, and roasts, leaving no more than a scant ¼ inch (6.4 mm) of fat. Less fat makes cleanup easier, and is a virtual guarantee against unwanted flare-ups.
- Foods placed on the cooking grate directly above burners may require turning or moving to a less hot area.
- Use tongs rather than a fork for turning and handling meats to avoid losing natural juices. Use two spatulas for handling large whole fish.
- If an unwanted flare-up should occur, turn all burners off and move food to another area of the cooking grate. Any flames will quickly subside. After flames subside, relight the grill. **NEVER USE WATER TO EXTINGUISH FLAMES ON A GAS GRILL.**
- Some foods, such as a casserole or thin fish fillets, will require a container for grilling. Disposable foil pans are very convenient, but any metal pan with ovenproof handles can also be used.
- Always be sure the slide-out grease tray and catch pan are clean and free from debris.
- Do not line the slide-out grease tray with foil. This could prevent the grease from flowing into the catch pan.
- Using a timer will help to alert you when “well done” is about to become “overdone.” ♦

When meat juices drip from the food onto the specially angled Flavorizer® bars, they create smoke that gives foods an irresistible barbecued flavor. Thanks to the unique design of the burners, Flavorizer® bars and the flexible temperature controls, uncontrolled flare-ups are virtually eliminated, because YOU control the flames. Because of the special design of the Flavorizer® bars and burners, excess fats are directed through the slide-out grease tray into the grease catch pan. ♦

PREHEATING

Your Weber® gas barbecue is an energy-efficient appliance. It operates at an economical low BTU rate. Preheating the grill before grilling is important. Light your grill according to the instructions in this Owner's Guide. To preheat: after lighting, turn all burners to START/HI, close the lid, and heat until the temperature reaches between 500° and 550° F (260° and 290° C), the recommended broiling temperature. This will take 10 to 15 minutes depending on conditions such as air temperature and wind.

You can adjust the individual burners as desired. The control settings are OFF, START/HI, MEDIUM, or LOW.



Note: Cooking conditions, such as wind and weather, may require adjustment of burner controls to obtain the correct cooking temperatures.

Note: If grill loses heat while cooking, refer to the troubleshooting section of this manual.

⚠ WARNING: Do not move the Weber® gas barbecue when operating or while barbecue is hot.

If burners go out during cooking, turn all burner knobs off and wait five minutes before relighting. ♦

COVERED COOKING

All grilling is done with the lid down to provide uniform, evenly circulated heat. With the lid closed, the gas grill cooks much like a convection oven. The thermometer in the lid indicates the cooking temperature inside the grill. All preheating and grilling is done with the lid down. No peeking — heat is lost every time you lift the lid. ♦

DRIPPINGS AND GREASE

The Flavorizer® bars are designed to “smoke” the correct amount of drippings for flavorful cooking. Excess drippings and grease will accumulate in the catch pan under the slide-out grease tray. Disposable foil drip pans are available that fit the catch pan.

⚠ WARNING: Check the slide-out grease tray and catch pan for grease build-up before each use. Remove excess grease to avoid a grease fire in the slide-out grease tray. ♦

FLAVORIZER® SYSTEM

SIDE BURNER IGNITION & USAGE

SIDE BURNER IGNITION

Summary lighting instructions are inside the left hand cabinet door.

⚠ DANGER

Failure to open the lid while igniting the side burner, or not waiting five minutes to allow the gas to clear if the side burner does not light, may result in an explosive flare-up which can cause serious bodily injury or death.

⚠ **WARNING:** Check hose before each use of barbecue for nicks, cracking, abrasions or cuts. If the hose is found to be damaged in any way, do not use the barbecue. Replace using only Weber® authorized replacement hose. Contact the Customer Service Representative in your area using the contact information on our web site. Log onto www.weber.com®.

- A) Open the side burner lid (1).
- B) Check that the side burner valve is turned off (2) (Push control knob in and turn clockwise to ensure that it is in the OFF position), turn all burners not being used to the OFF position (push in and turn clockwise).
- C) Turn the gas supply valve on (3).
- D) Push down and turn the side burner control valve to START/Hi (4).
- E) Press the igniter button several times so it clicks each time until you see a flame (5).

⚠ **CAUTION:** Side burner flame may be difficult to see on a bright sunny day.

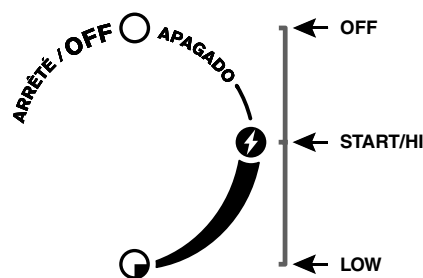
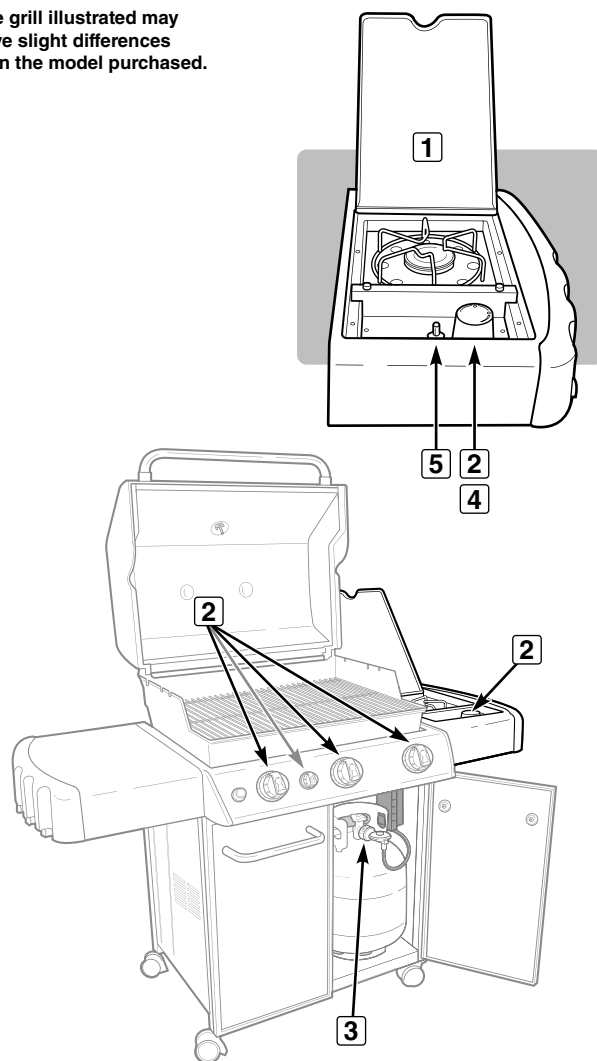
⚠ **WARNING:** If the side burner does not light in five seconds:

- a) Turn off the side burner control valve, main burners and gas supply at source.
- b) Wait five minutes to let the gas clear before you try again, or try lighting with a match (refer to "SIDE BURNER MANUAL IGNITION"). ♦

TO EXTINGUISH

Push down and turn side burner control knob to the OFF position. Be sure the burner is off and cool before closing the side burner lid. ♦

The grill illustrated may have slight differences than the model purchased.



SIDE BURNER IGNITION & USAGE

SIDE BURNER MANUAL IGNITION

⚠ DANGER

Failure to open the lid while igniting the side burner, or not waiting five minutes to allow the gas to clear if the side burner does not light, may result in an explosive flare-up that can cause serious bodily injury or death.

- A) Open the side burner lid (1).
- B) Check that the side burner valve is turned off (2) (Push control knob in and turn clockwise to ensure that it is in the OFF position), turn all burners not being used to the OFF position (push in and turn clockwise).
- C) Turn the gas supply valve on (3).
- D) Put match in a match holder and strike match.
- E) Hold match holder and lit match by either side of the side burner (4).
- F) Push down and turn the side burner control valve to START/Hi (5).

⚠ **CAUTION:** Side burner flame may be difficult to see on a bright sunny day.

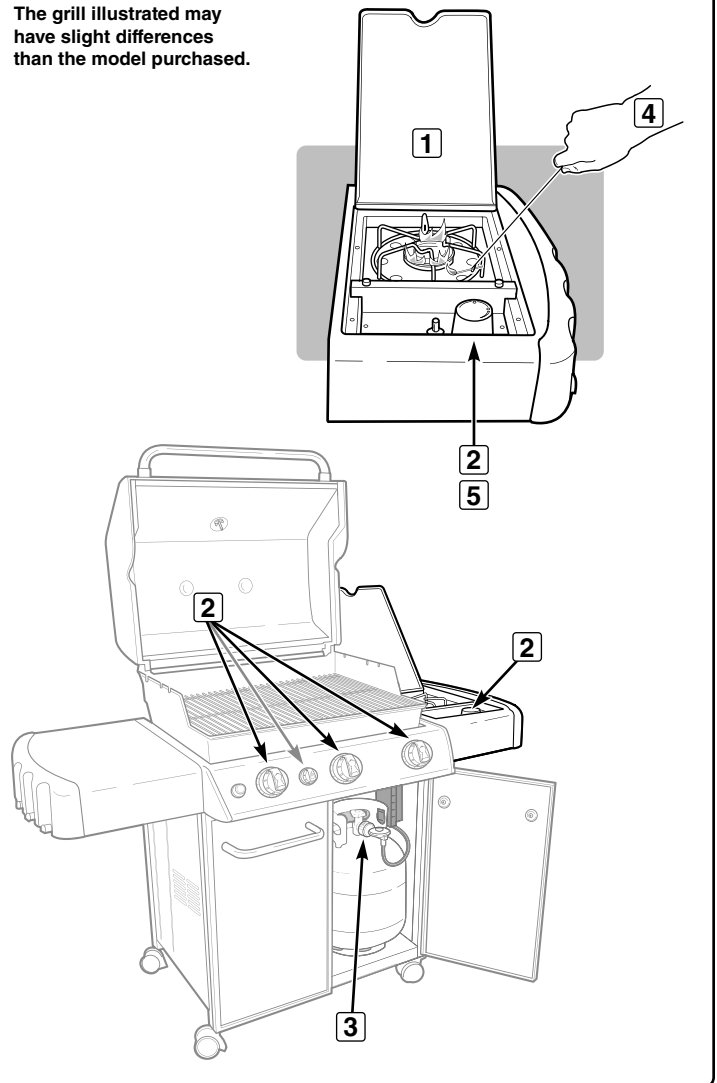
⚠ **WARNING:** If the side burner does not light in five seconds:

- a) Turn off the side burner control valve, main burners and gas supply at source.
- b) Wait five minutes to let the gas clear before you try again. ♦

TO EXTINGUISH

Push down and turn side burner control knob to the OFF position. Be sure the burner is off and cool before closing the side burner lid. ♦

The grill illustrated may have slight differences than the model purchased.



TROUBLESHOOTING

PROBLEM	CHECK	SOLUTION
Burners burn with a yellow or orange flame, in conjunction with the smell of gas.	Inspect Spider/Insect screens for possible obstructions. (Blockage of holes.)	Clean Spider/Insect screens. Refer to "ANNUAL MAINTENANCE".
Symptoms: Burners do not ignite. -or- Burners have a small flickering flame in the HI position. -or- Barbecue temperature only reaches 250° to 300° in the HI position.	The excess flow safety device, which is part of the barbecue to cylinder connection, may have activated.	To reset the excess flow safety device close the LP tank valve and turn all burner control knobs to the OFF position. Open the grill lid. Slowly turn the LP tank valve until it is completely open. Wait several seconds then ignite your grill. Refer to "MAIN BURNER IGNITION".
Burner does not light, or flame is low in HI position.	Is LP fuel low or empty?	Refill LP cylinder.
	Is fuel hose bent or kinked?	Straighten fuel hose.
Burner does not ignite when you push the igniter button.	Be sure that there is gas flow to the burners by attempting to match light your burners. Refer to "MAIN BURNER MANUAL IGNITION".	If match lighting is successful, the problem lies in the ignition system. Refer to "ELECTRONIC IGNITION SYSTEM OPERATIONS".
	Is there a fresh battery installed?	Verify that the battery is in good condition and installed correctly. Refer to "ELECTRONIC IGNITER INSPECTION".
	Are the wires connected properly to the ignition module?	Be sure that wires are correctly inserted into terminals on ignition box. Refer to "ELECTRONIC IGNITION SYSTEM OPERATIONS".
	Is there plastic wrapping around the new battery?	Remove plastic wrapping.
Experiencing flare-ups: ⚠ CAUTION: Do not line the slide-out grease tray with aluminum foil.	Are you preheating barbecue in the prescribed manner?	All burners on HI for 10 to 15 minutes for preheating.
	Are the cooking grates, heat deflectors, and Flavorizer® bars heavily coated with burned-on grease?	Clean thoroughly. Refer to "CLEANING".
	Is the slide-out grease tray dirty and not allowing grease to flow into catch pan?	Clean slide-out grease tray.
Burner flame pattern is erratic. Flame is low when burner is on HI. Flames do not run the whole length of the burner tube.	Are burners clean?	Clean burners. Refer to "MAINTENANCE".
Inside of lid appears to be "peeling." (Resembles paint peeling.)	The inside of the lid is porcelain enamel or stainless steel, and is not painted. It cannot "peel." What you are seeing is baked on grease that has turned to carbon and is flaking off. THIS IS NOT A DEFECT.	Clean thoroughly. Refer to "CLEANING".
Cabinet doors are not aligned.	Check the adjustment pin on the bottom of each door.	Loosen adjustment nut/s. Slide door/s until aligned. Tighten nut.
If problems cannot be corrected by using these methods, please contact the Customer Service Representative in your area using the contact information on our web site. Log onto www.weber.com ®.		

SIDE BURNER TROUBLESHOOTING

PROBLEM	CHECK	SOLUTION
Side Burner does not light.	Is gas supply off? The excess flow safety device, which is part of the barbecue to cylinder connection, may have activated.	Turn gas supply on. To reset the excess flow safety device close the LP tank valve and turn all burner control knobs to the OFF position. Open the grill and side burner lids. Slowly turn the LP tank valve until it is completely open. Wait several seconds then ignite your side burner. Refer to "SIDE BURNER IGNITION".
Flame is low in HI position.	Is the fuel hose bent or kinked?	Straighten hose.
Push button ignition does not work.	Does burner light with a match?	If match lights burner, check igniter. Refer to "SIDE BURNER MAINTENANCE".
If problems cannot be corrected by using these methods, please contact the Customer Service Representative in your area using the contact information on our web site. Log onto www.weber.com ®.		

CLEANING

⚠ WARNING: Turn your Weber® gas barbecue off and wait for it to cool before cleaning.

Outside surfaces — Use a warm soapy water solution to clean, then rinse with water.

⚠ CAUTION: Do not use oven cleaner, abrasive cleansers (kitchen cleansers), cleaners that contain citrus products, or abrasive cleaning pads on barbecue or cart surfaces.

Slide-out grease tray — Remove excess grease, wash with warm soapy water, then rinse.

⚠ CAUTION: Do not line the slide-out grease tray with aluminum foil.

Flavorizer® bars and cooking grates — Clean with a suitable stainless steel bristle brush. As needed, remove from grill and wash with warm soapy water, then rinse with water.

⚠ CAUTION: Grill brushes should be checked for loose bristles and excessive wear on a regular basis. Replace brush if any loose bristles are found on cooking grates or brush. Weber recommends purchasing a new stainless steel grill brush at the beginning of every spring.

⚠ CAUTION: Do not clean your Flavorizer® bars or cooking grates in a self-cleaning oven.

For availability of replacement cooking grates and Flavorizer® bars, contact the Customer Service Representative in your area using the contact information on our website. Log onto www.weber.com®.

Catch pan — Disposable foil trays are available, or you can line the catch pan with aluminum foil. To clean the catch pan, wash with warm soapy water, then rinse.

Thermometer — Wipe with warm soapy water; clean with plastic scrub ball.

Cookbox — Brush any debris off of burner tubes. **DO NOT ENLARGE BURNER PORTS (OPENINGS).** Wash inside of cookbox with warm soapy water and a water rinse.

Inside lid — While lid is warm, wipe inside with paper towel to prevent grease build-up. Flaking built-up grease resembles paint flakes.

Stainless steel surfaces — Wash with a soft cloth and a soap and water solution. Be careful to scrub with the grain direction of the stainless steel.

Do not use cleaners that contain acid, mineral spirits, or xylene. Rinse well after cleaning.

Preserve your stainless steel — Your grill or its cabinet, lid, and control panel may be made from stainless steel. Keeping the stainless steel looking its best is a simple matter. Clean it with soap and water, rinse with clear water, and wipe dry. For stubborn particles, a non-metallic brush can be used.

⚠ IMPORTANT: Do not use a wire brush or abrasive cleaners on the stainless steel surfaces of your grill as this will cause scratches.

⚠ IMPORTANT: When cleaning surfaces be sure to rub/wipe in the direction of the grain to preserve the look of your stainless steel. ♦

WEBER® SPIDER/INSECT SCREENS

Your Weber® gas barbecue, as well as any outdoor gas appliance, is a target for spiders and other insects. They can nest in the venturi section (1) of the burner tubes. This blocks the normal gas flow, and can cause the gas to flow back out of the combustion air opening. This could result in a fire in and around the combustion air openings, under the control panel, causing serious damage to your barbecue.

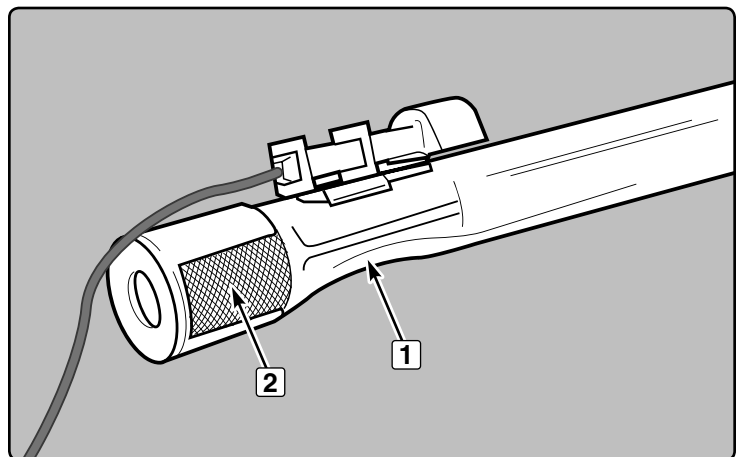
The burner tube combustion air opening is fitted with a stainless steel screen (2) to prevent spiders and other insects access to the burner tubes through the combustion air openings.

We recommend that you inspect the spider/insect screens at least once a year. (Refer to "ANNUAL MAINTENANCE.") Also inspect and clean the the spider/insect screens if any of the following symptoms should ever occur:

- A) Gas is smelled in conjunction with burner flames that appear yellow and lazy.
- B) Barbecue does not reach temperature.
- C) Barbecue heats unevenly.
- D) One or more of the burners do not ignite.

⚠ DANGER

Failure to correct the above mentioned symptoms may result in a fire, which can cause serious bodily injury or death, and cause damage to property. ♦



MAINTENANCE

BURNER TUBES CLEANING OR REPLACEMENT

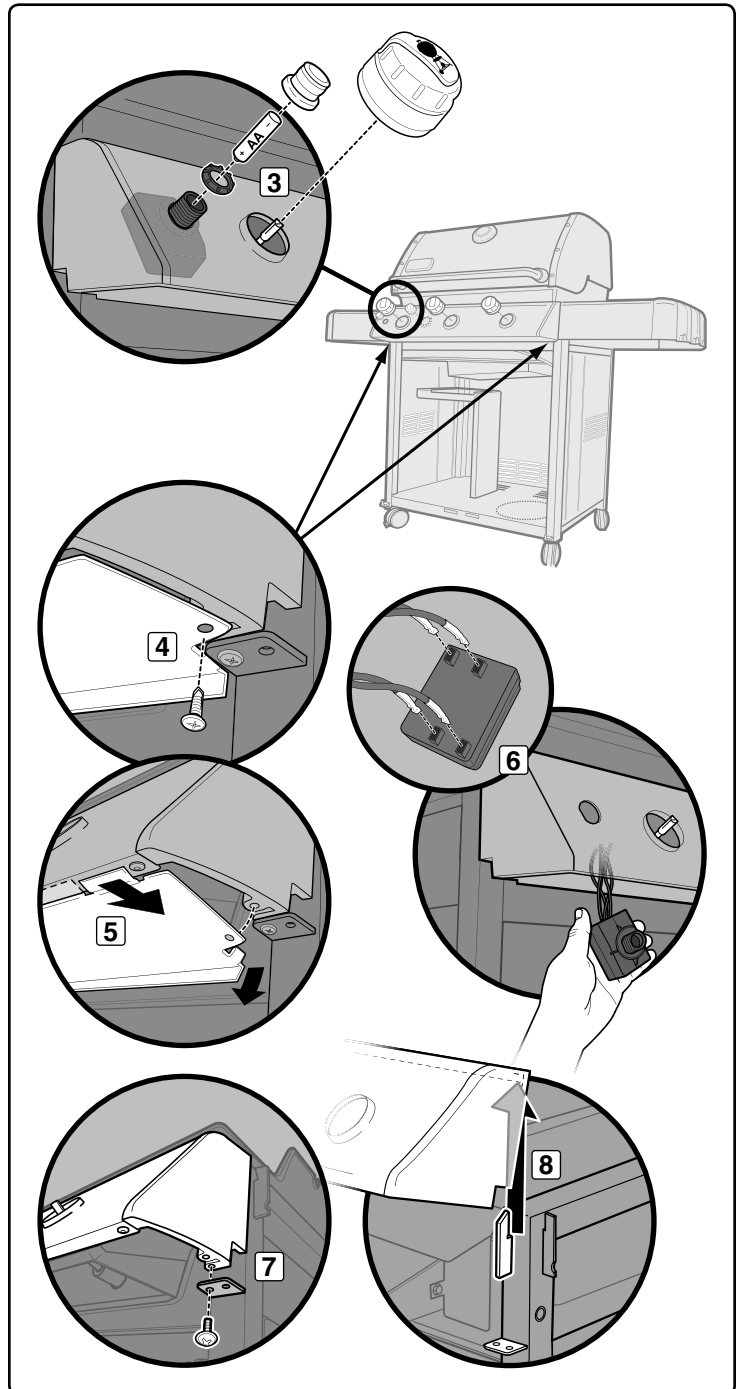
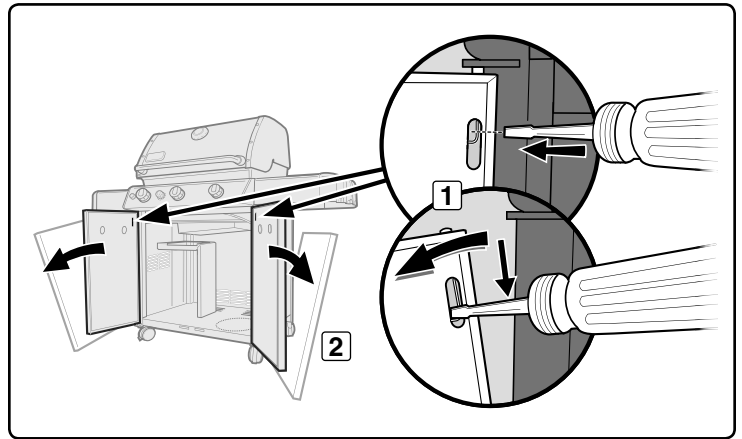
You will need: Phillips screwdriver, flathead screwdriver, and 5/16" nut-driver.

- A) Your Weber® gas barbecue must be OFF and cool.
- B) Turn gas OFF at source.
- C) Remove cookbox components - warming rack, grates and Flavorizer® bars. (Heat deflectors do not need to be removed.)

Control Panel Removal

To remove control panel:

- A) Locate door pin release in door assembly. Using a screwdriver, push down on door pin release (1) until door detaches from frame assembly. Pull top of door away from frame assembly (2) and lift door off bottom adjustable hinge pin.
- B) Remove control knobs, igniter button, igniter retention nut, and battery (3).
- C) Remove screws from wind deflector (4) located underneath the control panel with a Phillips screwdriver.
- D) Tilt end of wind deflector down and slide away to remove (5).
- E) Remove igniter module from control panel (6) and remove all four wires from module.
- F) Remove screws from underside of control panel with Phillips screwdriver (7).
- G) Lift control panel up slightly, tilt up front edge and gently lift up and away (8).



Burner Tube Removal

To remove burner tube(s):

- A) Remove igniter wire(s) from igniter clip(s) (9).
- B) Remove screw that holds burner tube to the cookbox using a 5/16" nut-driver (10).
- C) Pull burner tube assembly (this includes igniter) up and out of cookbox (11).
Note: 310 units will have an additional grounding wire attached to the center burner tube (12).

Burner Tube Cleaning

To clean the burner tube(s):

- A) Look inside each burner with a flashlight (13).
- B) Clean the inside of the burners with a wire (14) (a straightened-out coat hanger will work).
- C) Check and clean the air shutter opening at the ends of the burners. Check and clean the valve orifices at the base of the valves. Use a steel bristle brush to clean outside of burners (15). This is to make sure all the burner ports are fully open.

⚠ CAUTION: Do not enlarge the burner ports when cleaning.

Burner Tube Reinstallation

To reinstall burner tubes:

- A) Slide burner tube and igniter wire through hole in cookbox (16). Refer to "ELECTRONIC IGNITION SYSTEM OPERATIONS" for proper burner position.
- B) Align burner tube with valve.

⚠ CAUTION: The burner openings (17) must be positioned properly over the valve orifices (18).

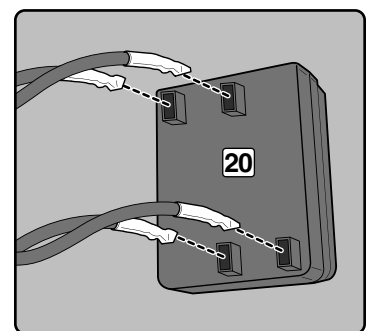
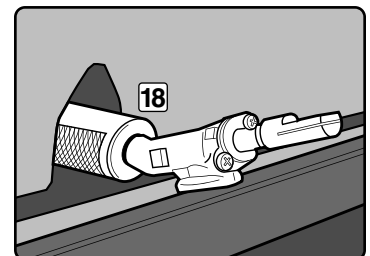
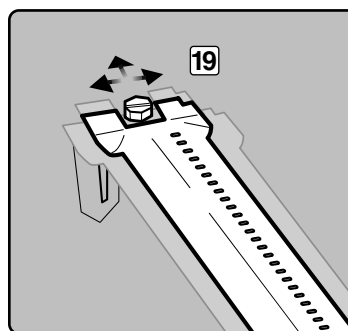
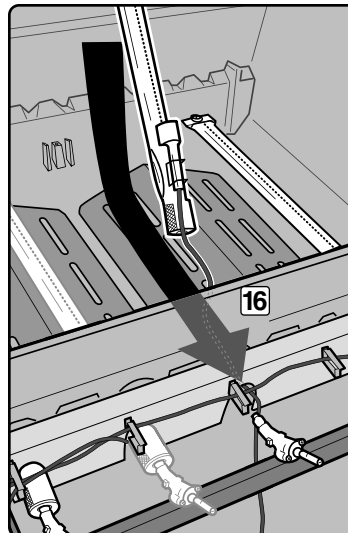
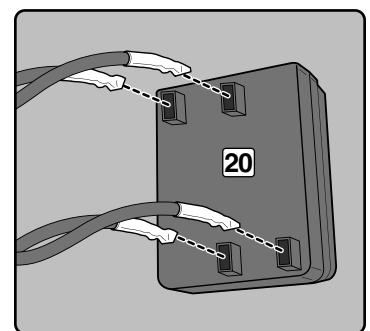
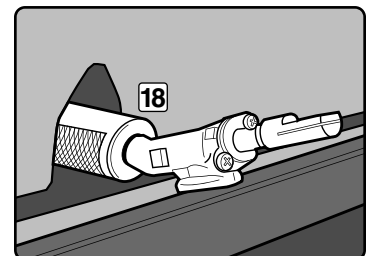
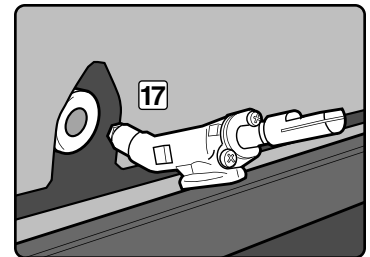
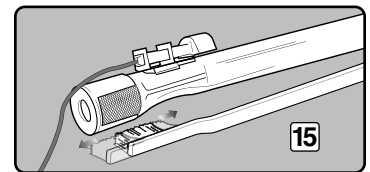
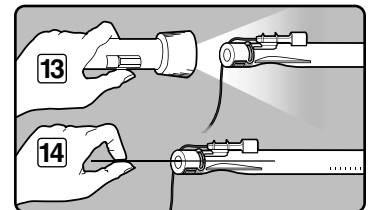
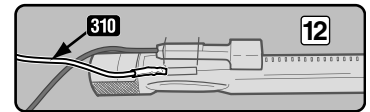
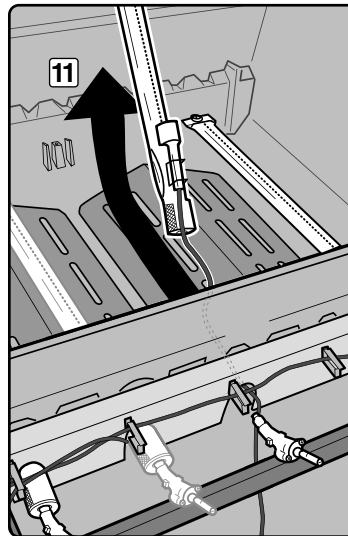
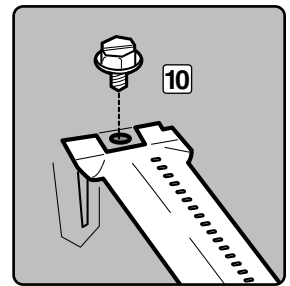
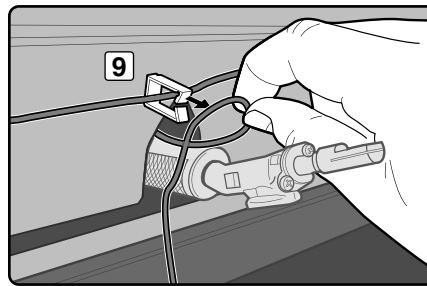
- C) Re-install screw that holds the burner tube to the cookbox using a flathead screwdriver. Burner tube may seem loose (19), when screw is snug. This is normal.
- D) Route wires back through igniter clips. Refer back to figure (9).

⚠ CAUTION: All wires must be properly routed through wire clips.

- E) Attach wires to module, following the numerical/color coding (20). Refer to "ELECTRONIC IGNITION SYSTEM OPERATIONS" for proper attachment of wires.

⚠ WARNING: After reinstalling the gas lines, they should be leak checked with a soap and water solution before using the barbecue. (Refer to "CHECK FOR GAS LEAKS".)

⚠ WARNING: Make sure that all parts are assembled and hardware is fully tightened before operating the grill. Your actions, if you fail to follow this Product Warning, may cause a fire, an explosion, or structural failure resulting in serious personal injury or death as well as damage to property. ♦



MAINTENANCE

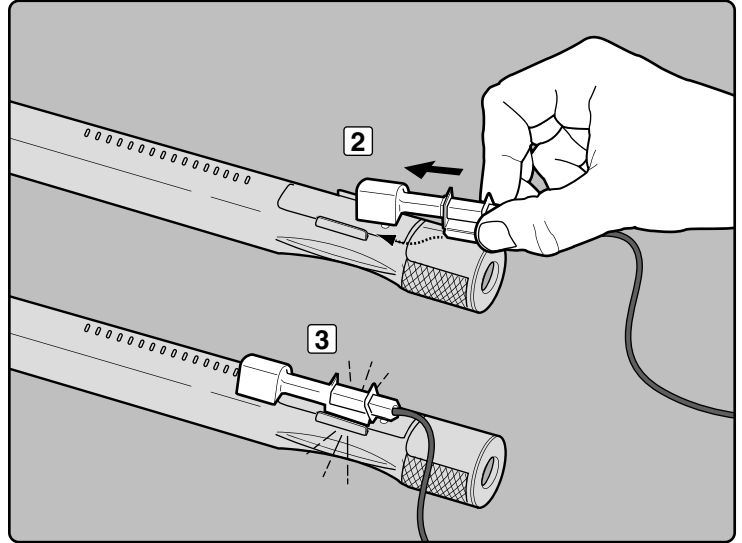
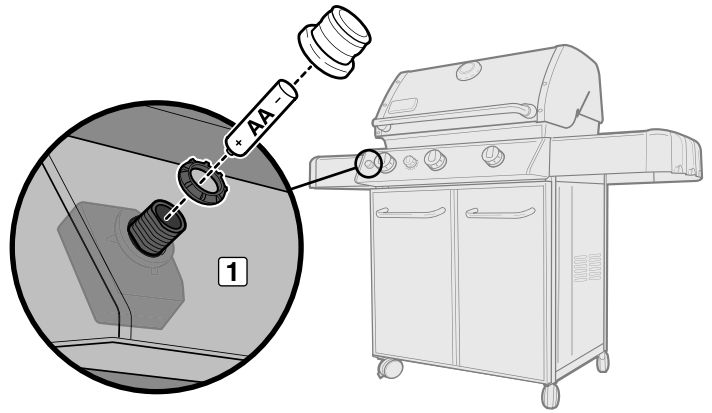
ELECTRONIC IGNITION SYSTEM OPERATIONS

If the Electronic Ignition System fails to ignite, be sure there is gas flow by attempting to match light your burners. Refer to "MAIN BURNER MANUAL IGNITION". If match lighting is successful, the problem lies in the electronic ignition.

⚠ WARNING: All gas controls and supply valves should be in the OFF position.

- Verify that the AA battery (alkaline only) is in good condition and installed correctly (1). Some batteries have a plastic protective wrap around them. This plastic must be removed. Do not confuse this plastic with the battery label.
- Make sure the ignition wires are attached to igniter module properly. Refer to the "IGNITER MODULE WIRE GUIDE" below.
- Make sure the ceramic igniter assembly is fully positioned into burner tube igniter channel (2). If properly positioned, you will hear a snap (3).
- Make sure the Electronic Ignition button is working by listening and looking for sparks at burner.

If the Electronic Ignition System still fails to light, contact the Customer Service Representative in your area using the contact information on our web site. Log onto www.weber.com. ♦



IGNITER MODULE WIRE GUIDE 330

Wire End & Terminal Color	Burner Tube
Black (1)	Left Burner (A)
Yellow (2)	Right Burner (B)
Blue (3)	Center Burner (C)
Green (4)	Sear Burner (D)

MAINTENANCE

SIDE BURNER MAINTENANCE

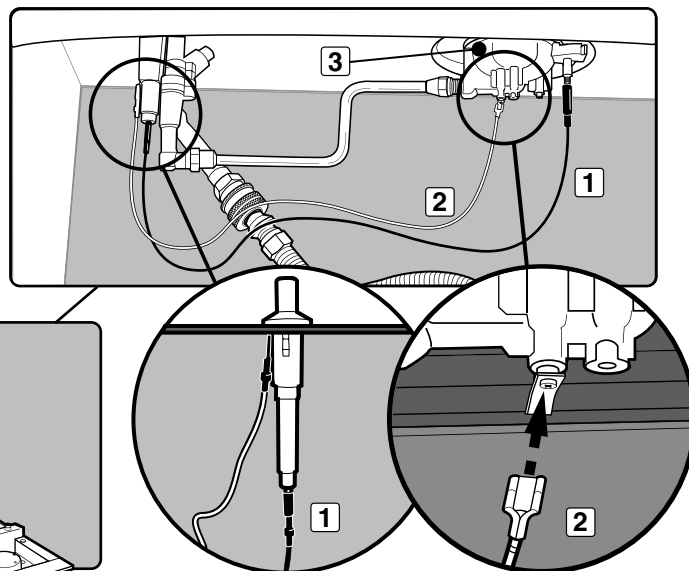
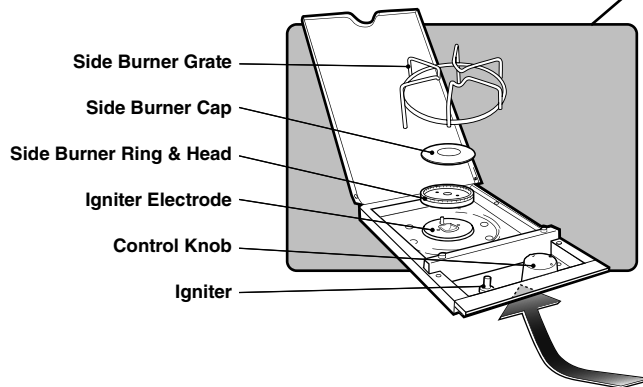
⚠ WARNING: All gas controls and supply valves should be in the OFF position.

Make sure black wire is connected between the igniter and electrode.

Make sure white wire is connected between the igniter and grounding clip.

Spark should be a white/blue color, not yellow.

- A) Igniter wire (1)
- B) Ground wire (2)
- C) Burner (3) ♦



ANNUAL MAINTENANCE

Inspection and Cleaning of the Spider/Insect Screens

To inspect the spider/insect screens, remove the control panel. If there is dust or dirt on the screens, remove the burners to clean the screens.

Brush the spider/insect screens lightly with a soft bristle brush (i.e., an old toothbrush).

⚠ CAUTION: Do not clean the spider/insect screens with hard or sharp tools. Do not dislodge the spider/insect screens or enlarge the screen openings.

Lightly tap the burner to get debris and dirt out of the burner tube. Once the spider/insect screens and burners are clean, replace the burner.

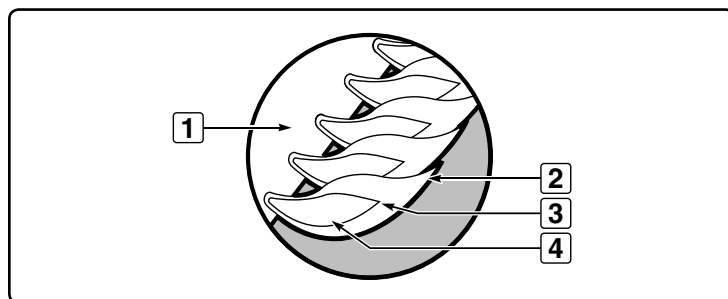
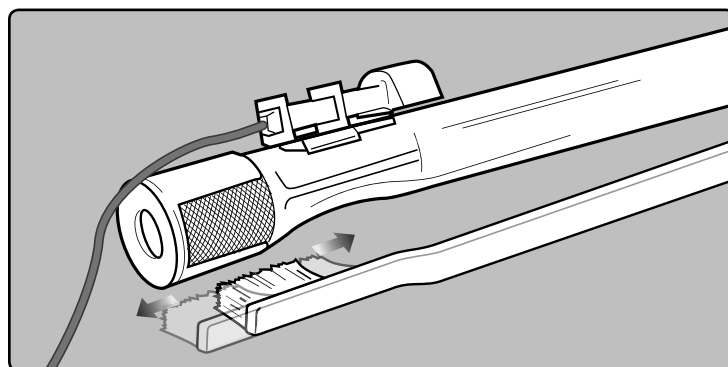
If a spider/insect screen becomes damaged or cannot be cleaned, please contact the Customer Service Representative in your area using the contact information on our web site. Log onto www.weber.com.

Burner Flame Pattern

The Weber® gas barbecue burners have been factory set for the correct air and gas mixture. The correct flame pattern is shown in illustration and described below:

- A) Burner tube (1)
- B) Tips occasionally flicker yellow (2)
- C) Light blue (3)
- D) Dark blue (4)

If the flames do not appear to be uniform throughout the burner tube, follow the burner cleaning procedures. ♦



⚠ ATTENTION: This product has been safety tested and is only certified for use in a specific country. Refer to country designation located on outer carton.

These parts may be gas carrying or gas burning components. Please contact Weber-Stephen Products LLC, Customer Service Department for genuine Weber-Stephen Products LLC replacement part(s) information.

⚠ WARNING: Do not attempt to make any repair to gas carrying, gas burning, igniter components or structural components without contacting Weber-Stephen Products LLC, Customer Service Department. Your actions, if you fail to follow this Product Warning, may cause a fire, an explosion, or structural failure resulting in serious personal injury or death as well as damage to property.



WEBER-STEPHEN PRODUCTS LLC
www.weber.com[®]

GENESIS®



BARBACOA DE GAS

Guía del Propietario del Asador de Gas Propano Licuado

330

#54406



DEBE LEER ESTA GUÍA DEL PROPIETARIO ANTES DE PONER A FUNCIONAR LA BARBACOA DE GAS.

⚠ PELIGRO

Si huele a gas:

1. Cierre el suministro de gas al artefacto.
2. Apague todas las flamas cerrando la valvula general de paso.
3. Abra la tapa.
4. Llame inmediatamente a la central de fugas o a su proveedor de gas.

Una fuga de gas puede provocar un incendio o explosión que puede resultar en lesiones corporales serias o la muerte, o daños a la propiedad.

⚠ ADVERTENCIA

1. No almacene gasolina u otros fluidos inflamables en la cercanía de su aparato.
2. Ningún cilindro de propano licuado que no esté conectado para su uso deberá almacenarse cerca de éste o cualquier otro artefacto doméstico.

⚠ **ADVERTENCIA:** Antes de poner a funcionar la asador, siga cuidadosamente todos los procedimientos en este manual para verificar que no existan fugas. Haga esto aun y cuando la asador haya sido ensamblada por el distribuidor.

AVISO AL INSTALADOR:

Estas instrucciones deben permanecer con el propietario, quien las deberá guardar para un futuro uso.

ESTE ARTEFACTO A GAS ESTÁ DISEÑADO PARA USARSE SOLAMENTE AL AIRE LIBRE.

⚠ **ADVERTENCIA:** No encienda este artefacto sin primero leer las secciones de ENCENDIDO DEL QUEMADOR de este manual.



54406 LP
ESNA SPANISH NORTH AMERICA

ADVERTENCIAS

⚠ PELIGRO

El hacer caso omiso de los avisos de peligros, advertencias y precauciones contenidos en este Manual del Propietario pudiera resultar en lesiones corporales serias o la muerte, o en un fuego o explosión que cause daños a la propiedad.

⚠ ADVERTENCIAS

- ⚠ No almacene un tanque de propano licuado desconectado o de repuesto debajo o cerca de este asador.
- ⚠ El ensamblaje incorrecto puede ser peligroso. Por favor siga cuidadosamente las instrucciones de ensamblaje.
- ⚠ Tras haber estado guardada o sin uso por algún tiempo, antes de usar la barbacoa de gas Weber® verifique que no existan fugas de gas o obstrucciones en el quemador. Vea en este manual las instrucciones para los procedimientos correctos.
- ⚠ No opere la barbacoa de gas Weber® si existe una fuga de gas.
- ⚠ No utilice una llama abierta para comprobar la existencia de fugas de gas.
- ⚠ Nunca debe haber materiales combustibles a una distancia menor de 24 pulgadas (61 cm) de la parte superior, inferior, trasera o lateral de su asador de gas Weber®.
- ⚠ No coloque una funda para barbacoas ni cualquier otra artículo inflamable sobre o dentro del área de almacenaje ubicada debajo del asador.
- ⚠ Nunca permita que los niños usen la barbacoa de gas Weber®. Algunas partes accesibles de la barbacoa pudieran estar muy calientes. Mantenga alejados a los niños pequeños mientras ésta se esté usando.
- ⚠ Usted debe proceder con razonable cuidado al usar su barbacoa de gas Weber®. Ésta estará caliente al cocinarse en ella o al limpiarla, y nunca deberá dejarse desatendida o moverse mientras esté funcionando.
- ⚠ Si llegasen a apagarse los quemadores, cierre todas las válvulas de gas. Abra la tapa y espere cinco minutos antes de tratar de volver a encender la barbacoa, usando las instrucciones de encendido en este manual.
- ⚠ No use carbón o piedra pómez en su barbacoa de gas Weber®.
- ⚠ No se incline sobre la barbacoa abierta o coloque las manos o dedos en el borde delantero de la caja de cocción.
- ⚠ Si la grasa llegase a agarrar fuego, apague todos los quemadores y mantenga la tapa cerrada hasta que se haya apagado el fuego.
- ⚠ Al limpiar las válvulas o los quemadores, no ensanche los orificios de las válvulas o las aberturas de los quemadores.
- ⚠ La barbacoa de gas Weber® deberá limpiarse a fondo regularmente.
- ⚠ El propano licuado no es gas natural. El uso de gas natural en una unidad de propano licuado o viceversa, propano licuado en una de gas natural, es peligroso y anulará su garantía.
- ⚠ No intente desconectar ninguna conexión de gas mientras la barbacoa esté funcionando.
- ⚠ Mientras opere la barbacoa, utilice guantes resistentes al calor.
- ⚠ Mantenga alejados de todas las superficie calientes a todo cordón eléctrico y a la manguera de suministro de combustible.
- ⚠ Los subproductos de la combustión producidos al usar este producto contienen sustancias químicas que son conocidas por el Estado de la California como causantes de cáncer, defectos de nacimiento, u otros daños reproductivos.
- ⚠ No use esta barbacoa a menos que todas sus partes estén colocadas en su sitio. La unidad debe ensamblarse correctamente de acuerdo con las instrucciones de ensamblaje.
- ⚠ No construya este modelo de barbacoa en ninguna construcción en la que la barbacoa esté incorporada de manera fija o deslizable. El no acatar esta Advertencia pudiera resultar en un fuego o una explosión que pudiera causar daños a la propiedad y heridas corporales graves o la muerte.
- ⚠ Propuesta 65 Advertencia: El manipular los materiales de latón en este producto lo exponen al plomo, una sustancia química conocida por el estado de California como causante de cáncer, de defectos de nacimiento o de otros daños reproductivos.
(Lávese las manos después de manipular este producto.) ♦

ÚNICAMENTE UNIDADES DE GAS PROPANO LICUADO

- ⚠ Use el regulador que se suministra con la barbacoa de gas Weber®.
- ⚠ No trate de desconectar el regulador de gas o ninguna conexión de gas mientras esté funcionando la barbacoa.
- ⚠ Un cilindro de propano licuado abollado u oxidado pudiera ser peligroso y deberá ser revisado por su suplidor de propano licuado. No utilice ningún cilindro de propano licuado con una válvula dañada.
- ⚠ Aunque el cilindro de propano licuado pudiera aparentar estar vacío, algo de gas pudiera aún estar presente, por lo que el cilindro deberá transportarse y almacenarse tomando esta posibilidad en consideración.
- ⚠ Si usted ve, huele o escucha el silbido de un escape de gas del cilindro de propano licuado:
 1. Apártese del cilindro de propano licuado.
 2. No trate de corregir el problema usted mismo.
 3. Llame al cuerpo de bomberos local. ♦

TABLA DE CONTENIDO

DIAGRAMA DE DESPIECE	4	ENCENDIDO Y USO DEL QUEMADOR LATERAL	42
LISTA DEL DIAGRAMA DE DESPIECE	5	ENCENDIDO DEL QUEMADOR LATERAL.....	42
ADVERTENCIAS	28	PARA APAGAR.....	42
TABLA DE CONTENIDO	29	ENCENDIDO MANUAL DEL QUEMADOR LATERAL.....	43
GARANTÍA	30	PARA APAGAR.....	43
INSTRUCCIONES GENERALES	31	RESOLUCIÓN DE PROBLEMAS	44
PARA COMPRAS HECHAS EN MÉXICO.....	31	RESOLUCIÓN DE PROBLEMAS	
INSTALACIÓN CANADIENSE.....	31	CON EL QUEMADOR LATERAL	44
OPERACIÓN DE LA BARBACOA.....	31	MANTENIMIENTO	45
ALMACENAJE Y/O SIN USO.....	31	LIMPIEZA.....	45
INSTRUCCIONES SOBRE EL GAS	32	MALLAS WEBER® CONTRA ARAÑAS E INSECTOS.....	45
SUGERENCIAS PARA EL MANEJO SEGURO		LIMPIEZA O REEMPLAZO DE LOS TUBOS QUEMADORES.....	46
DE LOS CILINDROS DE GAS PROPANO LICUADO.....	32	OPERACIONES DEL SISTEMA DE ENCENDIDO ELECTRÓNICO.....	48
INFORMACIÓN IMPORTANTE SOBRE		MANTENIMIENTO DEL QUEMADOR LATERAL.....	49
EL CILINDRO DE PROPANO LICUADO.....	33	MANTENIMIENTO ANUAL.....	49
PREPARATIVOS PARA LA BÚSQUEDA DE FUGAS.....	33		
DETECCIÓN DE FUGAS DE GAS.....	35		
CÓMO RECARGAR EL CILINDRO DE PROPANO LICUADO.....	36		
ANTES DE UTILIZAR LA BARBACOA	37		
NIVEL DE COMBUSTIBLE.....	37		
BANDEJA CORREDIZA RECOLECTORA			
DE GRASA Y BANDEJA DE GOTEO DESECHABLE.....	37		
INSPECCIÓN DEL ENCENDEDOR ELECTRÓNICO.....	37		
INSPECCIÓN DE LA MANGUERA.....	37		
ENCENDIDO Y USO DEL QUEMADOR PRINCIPAL	38		
ENCENDIDO DEL QUEMADOR PRINCIPAL.....	38		
PARA APAGAR.....	38		
ENCENDIDO MANUAL DEL QUEMADOR PRINCIPAL.....	39		
PARA APAGAR.....	39		
ENCENDIDO Y USO DE LA ESTACIÓN			
DE DORADO “SEAR STATION®”	40		
ENCENDIDO DEL QUEMADOR DE LA			
ESTACIÓN PARA DORAR SEAR STATION®.....	40		
ENCENDIDO MANUAL DEL QUEMADOR DE LA			
ESTACIÓN PARA DORAR SEAR STATION®.....	40		
¿QUÉ SIGNIFICA DORAR?.....	40		
OPERACIÓN DEL QUEMADOR DE LA			
ESTACIÓN PARA DORAR SEAR STATION®.....	40		
CONSEJOS PRÁCTICOS PARA ASAR	41		
PRECALENTADO.....	41		
COCCIÓN CUBIERTA.....	41		
PRINGUES Y GRASA.....	41		
EL SISTEMA FLAVORIZER®.....	41		

GARANTÍA

Weber-Stephen Products LLC (Weber) mediante la presente le garantiza al COMPRADOR ORIGINAL de esta barbacoa de gas Weber® que la misma estará libre de defectos en cuanto a materiales y fabricación a partir de la fecha de compra según lo siguiente:

Piezas coladas de aluminio:	25 años (2 años para la pintura excluyendo la decoloración)
Cubierta de acero inoxidable:	25 años
Cubierta porcelanizada:	25 años
Tubos de acero inoxidable de los quemadores:	10 años
Parrillas de cocción de acero inoxidable:	5 años sin perforación por fuego u oxidación
Barras Flavorizer® de acero inoxidable:	5 años sin perforación por fuego u oxidación
Parrillas de cocción de hierro colado porcelanizado:	5 años sin perforación por fuego u oxidación
Parrillas de cocción porcelanizadas:	3 años sin perforación por fuego u oxidación
Barras Flavorizer® porcelanizadas:	2 años sin perforación por fuego u oxidación
Gumeador infrarrojo del asador giratorio:	2 años
Todas la demás partes:	2 años

cuando se ensambla y opera de acuerdo a las instrucciones impresas que la acompañan. Weber pudiere requerir prueba razonable de la fecha de compra. POR LO TANTO, DEBERÁ GUARDAR SU RECIBO O FACTURA DE VENTA.

Esta garantía limitada está limitada a la reparación o reemplazo de piezas que resultasen defectuosas bajo uso y servicio normal y las cuales al examinarse indiquen, a plena satisfacción de Weber, que efectivamente son piezas defectuosas. Antes de devolver cualquier parte, contacte al Representante de Atención al Cliente en su área, cuya información de contacto la encontrará en nuestro sitio web. Si Weber confirma el defecto y aprueba el reclamo, ésta elegirá reparar o reemplazar tal pieza sin cargo alguno. Si usted tiene que retornarnos las partes defectuosas, los gastos de transporte deben ser prepagados. Weber retornará las partes al comprador con transporte o franqueo prepagado.

Esta Garantía Limitada no cubre ninguna falla o problema de operación a causa de accidentes, abuso, mal uso, alteración, uso en aplicaciones indebidas, vandalismo, instalación inapropiada o mantenimiento o servicio inapropiados, o por no llevar a cabo el mantenimiento normal y rutinario, entre los que se incluyen, pero sin limitación, los daños causados por insectos dentro de los tubos quemadores, según se detalla en este manual del propietario.

Esta Garantía Limitada no cubre el deterioro o daños a causa de condiciones de tiempo inclemente tales como granizo, huracanes, terremotos o tornados ni tampoco la decoloración por exposición a sustancias químicas bien sea por contacto directo o por que las mismas contenidas en la atmósfera.

No existen otras garantías expresas excepto aquellas indicadas en este documento y cualquier garantía implícita de comerciabilidad y adecuación a un fin particular está limitada en duración al período de cobertura de esta Garantía Limitada expresa por escrito. Algunas regiones no permiten limitaciones en la duración de una garantía implícita, por lo que esta limitación podría no aplicar para usted.

Weber no se hace responsable de cualesquier daños especiales, indirectos o emergentes. Algunas regiones no permiten la exclusión o limitación de daños incidentales o emergentes, por lo que esta limitación o exclusión pudieran no aplicarle a usted.

Weber no autoriza a persona o empresa alguna a asumir en su nombre ninguna obligación o responsabilidad en relación con la venta, instalación, uso, retiro, devolución o reemplazo de sus equipos, y ninguna tal representación será vinculante para Weber.

Esta Garantía aplica solo a aquellos productos vendidos al por menor.

WEBER-STEPHEN PRODUCTS LLC
Customer Service Center
90 West Hillcrest Boulevard, Suite 308
Schaumburg, IL 60195
EE.UU.

Para piezas de repuesto, llame al:
1-800-446-1071

Para compras hechas en México:
WEBER-STEPHEN PRODUCTS S.A. de C.V.
Marcella No. 338,
Colonia Americana
Guadalajara, Jalisco
44160 México,
C.P. México

Para partes de repuesto llame a:
(52) (33) 3615-0736

Visite www.weber.com®, seleccione su país de origen y registre su barbacoa hoy mismo. ♦

INSTRUCCIONES GENERALES

La barbacoa de gas Weber® es un aparato transportable para cocinar al aire libre. Con la barbacoa de gas Weber® usted puede asar a la parrilla, a la barbacoa, al horno y hornear con unos resultados que son difíciles de duplicar con los aparatos de cocina de casa. La tapa cerrada y las barras Flavorizer® le dan a los alimentos ese sabor a "aire libre".

La barbacoa de gas Weber® es portátil por lo que usted puede reubicarla fácilmente de sitio en su jardín o patio. La portabilidad significa que, si usted se muda, se puede llevar su barbacoa de gas Weber® consigo.

El suministro de gas propano licuado es fácil de usar y le da más control al cocinar que el carbón.

- Estas instrucciones le indicarán los requisitos mínimos para ensamblar la barbacoa de gas Weber®. Por favor lea cuidadosamente las instrucciones antes de utilizar la barbacoa de gas Weber®. Un ensamblaje incorrecto puede ser peligroso.
- No debe ser usada por niños.
- Si hubiese códigos locales que aplicasen para las barbacoas de gas portátil, usted deberá acatarlos. La instalación debe cumplir con los códigos locales o, en ausencia de estos, bien sea con el "Código nacional de gas combustible"; ANSI Z223.1/NFPA 54, el "Código de instalaciones de gas natural y propano"; CSA B149.1, o el "Código de manipulación y almacenaje de propano"; B149.2, o la "Norma para vehículos recreativos"; ANSI A 119.2/NFPA 1192, y CSA Z240 RV Series, "Código para vehículos recreativos", según corresponda.
- Debe usarse el regulador de presión suministrado con la barbacoa de gas Weber®. Este regulador está ajustado para una presión de 11 pulgadas de columna de agua.
- Esta barbacoa de gas Weber® está diseñada para ser usada solamente con gas propano licuado (LP). No la use con gas natural (suministrado a través de tuberías en las ciudades). Las válvulas, los orificios, la manguera y regulador son solamente aptos para gas propano licuado.
- No la use con carbón.
- Asegúrese de que el área debajo del panel de control y de la bandeja corredera para la grasa no tengan desechos que pudiesen obstruir el flujo de aire de combustión o de ventilación.
- Las áreas alrededor del cilindro de gas de propano licuado deben estar libres y sin acumulación de desperdicios.
- Los reguladores de presión y ensambles de manguera de reemplazo deben ser los especificados por Weber-Stephen Products LLC. ♦

PARA COMPRAS HECHAS EN MÉXICO

- Si hubiese códigos locales que se aplicasen a los asadores de gas portátiles, usted deberá cumplir con la más reciente edición de NOM. ♦

INSTALACIÓN CANADIENSE

Esta instrucciones, aunque de manera general son aceptables, no necesariamente cumplen con los códigos de instalación canadienses, en particular en lo que respecta a tuberías bajo y sobre tierra. En Canadá, la instalación de este artefacto debe cumplir con los códigos locales y/o la Norma CAN/CSA-B149.2 ("Código de manipulación y almacenaje de propano"). ♦

OPERACIÓN DE LA BARBACOA

- ⚠ **ADVERTENCIA: Sólo use esta barbacoa al aire libre en un área bien ventilada. No la use en un garaje, edificio, pasadizo techado o en cualquier otra área cerrada.**
- ⚠ **ADVERTENCIA: Mantenga las aberturas de ventilación de la caja del cilindro libres de obstrucciones y limpias.**
- ⚠ **ADVERTENCIA: La barbacoa de gas Weber® no deberá usarse debajo de un techo combustible.**
- ⚠ **ADVERTENCIA: La barbacoa de gas Weber® no ha sido diseñada para instalarse en o sobre vehículos y/o botes recreativos.**
- ⚠ **ADVERTENCIA: No utilice la barbacoa a menos de 24 pulgadas (61 cm) de distancia de materiales combustibles.**
- ⚠ **ADVERTENCIA: La caja de cocción entera se calienta al usarse. No la deje desatendida.**
- ⚠ **ADVERTENCIA: Mantenga a cualquier cordón eléctrico y a la manguera de suministro de gas alejados de toda superficie caliente.**
- ⚠ **ADVERTENCIA: Mantenga el área de cocinar libre de vapores y líquidos inflamables tales como gasolina, alcohol, etc. y de materiales combustibles.**

⚠ **ADVERTENCIA: Nunca almacene cilindros de propano licuado extra (de repuesto) debajo o cerca de la barbacoa de gas Weber®.**

⚠ **ADVERTENCIA: El cilindro de propano licuado usado con la barbacoa debe contar con un "Dispositivo de prevención de sobrellenado" (OPD, por sus siglas en inglés) y una conexión QCC1 o tipo 1 (CGA810). La conexión del cilindro debe ser compatible con la de la barbacoa. ♦**

ALMACENAJE Y/O SIN USO

- La válvula de gas en el cilindro de propano licuado debe mantenerse cerrada mientras la barbacoa de gas Weber® esté sin usarse.
- Cuando la barbacoa de gas Weber® esté almacenada bajo techo, el suministro de gas debe DESCONECTARSE y el tanque de propano licuado debe guardarse al aire libre en un espacio bien ventilado.
- El cilindro de propano licuado debe guardarse al aire libre en un área bien ventilada fuera del alcance de los niños. El cilindro desconectado de propano licuado no debe almacenarse dentro de ninguna edificación, garaje o área cerrada.
- Cuando el cilindro de propano licuado no esté desconectado de la barbacoa de gas Weber®, el artefacto junto con el tanque de propano licuado deberán mantenerse al aire libre en un espacio bien ventilado.
- La barbacoa de gas Weber® debe revisarse antes de usarse para verificar de que no tenga fugas de gas ni obstrucciones en los tubos de los quemadores. (Consulte la sección "MANTENIMIENTO/MANTENIMIENTO ANUAL").
- Asegúrese de que el área debajo del panel de control y la bandeja inferior no tengan desechos que pudiesen obstruir el flujo de aire de combustión o de ventilación.
- También deberá revisarse que la malla contra arañas e insectos no esté obstruida. (Consulte la sección "MANTENIMIENTO/MANTENIMIENTO ANUAL"). ♦

INSTRUCCIONES SOBRE EL GAS

SUGERENCIAS PARA EL MANEJO SEGURO DE LOS CILINDROS DE GAS PROPANO LICUADO

- El gas propano licuado es un producto petrolero al igual que lo son la gasolina y el gas natural. El propano es un gas a temperaturas y presiones normales. Bajo presión moderada, dentro de un cilindro, el gas propano es un líquido. En la medida en que se libera la presión, el líquido se evapora fácilmente y se convierte en gas.
- El gas propano tiene un olor similar al gas natural. Usted deberá estar al tanto de este olor.
- El gas propano es más pesado que el aire. El gas propano proveniente de una fuga puede acumularse en áreas bajas y prevenir su dispersión.
- Para llenar un cilindro de gas propano, llévalo a un expendedor de gas propano, o busque a otros suplidores bajo "gas propano" en el directorio telefónico.

⚠ ADVERTENCIA: Recomendamos llenar su cilindro de gas propano licuado con un distribuidor de gas propano autorizado que tenga un encargado debidamente calificado y que llene el tanque en base a peso. EL LLENADO INCORRECTO ES PELIGROSO.

- Antes de su llenado inicial, el aire debe ser retirado de todo cilindro nuevo de propano licuado. Los distribuidores de propano licuado están equipados para hacerlo.
- El cilindro de propano licuado debe instalarse, transportarse, y almacenarse en una posición parada. Los cilindros de propano licuado no deben dejarse caer o manipularse de manera brusca.
- Nunca almacene o transporte los cilindros de propano licuado en sitios donde la temperatura alcance los 125° F (52° C—demasiado caliente para sostenerlo con la mano). (Por ejemplo: no deje un cilindro de gas propano dentro de un carro en un día caluroso).

Nota: una recarga durará alrededor de 18–20 horas de tiempo de cocción bajo uso normal. La escala de combustible, una característica de algunas de nuestras barbacoas, indicará el suministro de propano de manera que usted puede recargar antes de agotarse el mismo. No necesita agotar el tanque antes de rellenarlo.

- Trate a los cilindros de propano licuado "vacíos" con el mismo cuidado que cuando están llenos. Aun cuando el tanque de gas propano no contenga líquido, todavía puede haber presión del gas en el cilindro. Siempre cierre la válvula del cilindro antes de desconectarlo.

⚠ PRECAUCIÓN: Siempre que el cilindro esté sin usarse, coloque la capucha antipolvo sobre la salida de la válvula del mismo. Sólo instale sobre la salida de la válvula el tipo de capucha antipolvo con la que vino provista la misma. Otros tipos de capuchas o tapones pudieran causar fugas de propano.

- No use ningún cilindro de propano licuado dañado. Un cilindro de propano licuado abollado u oxidado o con la válvula dañada es peligroso y deberá reemplazarse por uno nuevo inmediatamente.
- Cada vez que se reconecte un cilindro de propano licuado, se debe revisar que la unión por donde se conecta la manguera al cilindro no presente fugas. Por ejemplo, haga la prueba cada vez que se llena el cilindro de propano licuado.
- Asegúrese de que el regulador esté montado con el pequeño agujero respiradero viendo hacia abajo de manera que no se acumule agua en él. Este respiradero debe mantenerse libre de sucio, grasa, insectos, etc.
- Las conexiones de gas suministradas con la barbacoa de gas Weber® han sido diseñadas para cumplir en un 100% con los requisitos de las normas CSA y ANSI.

⚠ ADVERTENCIA: Lo tanques de propano licuado de reemplazo deben tener conexiones compatibles con la del regulador suministrado con esta barbacoa.

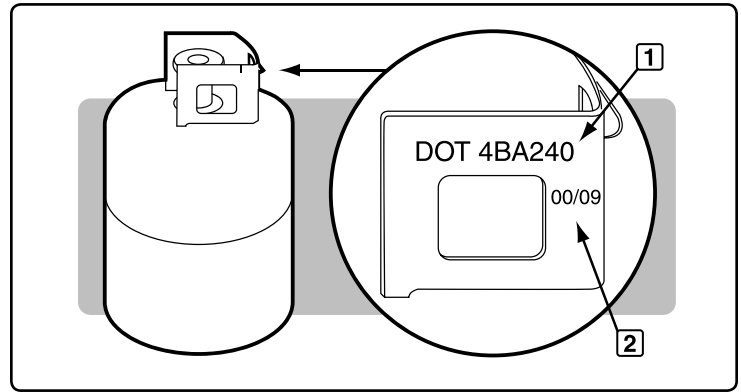
Requisitos de los Cilindros de Propano Licuado

- Asegúrese de que los cilindros tengan una certificación del D.O.T. (Departamento de Transporte) (1), y que la fecha en que fueron probados (2) no sea de más de cinco años atrás. Su proveedor de propano licuado puede hacerlo por usted.
- Todos los sistemas de tanques de suministro de propano licuado deben incluir un collar que proteja la válvula del cilindro.
- El cilindro de gas debe tener un tamaño aproximado de 20 lb. (18¼ pulgadas de alto y 12¼ pulgadas de diámetro).
- Los cilindros deben construirse y marcarse de acuerdo con las "Especificaciones para cilindros de gas propano licuado" del Departamento de Transporte (D.O.T.) de los EE.UU. o la Norma Nacional Canadiense "CAN/CSA-B339, Cilindros, esferas y tubos" o "Transporte de bienes peligrosos"; y Comisión, según aplique.

Requisitos Canadienses sobre los Cilindros de Propano Licuado

Nota: Su proveedor de venta al por menor puede ayudarle a buscar un tanque de reemplazo para su barbacoa.

- El cilindro de propano licuado debe estar construido y marcado de acuerdo con las especificaciones para cilindros de gas propano licuado, T.C. ♦



INSTRUCCIONES SOBRE EL GAS

INFORMACIÓN IMPORTANTE SOBRE EL CILINDRO DE PROPANO LICUADO

⚠ PELIGRO

NUNCA almacene un cilindro de gas propano licuado de reserva debajo o cerca de esta barbacoa. **NUNCA** llene el tanque más allá de un 80% lleno. El no acatar estrictamente estos avisos de **PELIGRO** pudiera resultar en un fuego letal o causar lesiones serias.

Su barbacoa de gas Weber® está equipada para usarse con un sistema de suministro desde cilindros diseñado para el retiro del vapor.

⚠ ADVERTENCIA: Solamente use esta barbacoa en un área bien ventilada al aire libre. No la use en un garaje, edificio, pasadizo techado o en cualquier otra área cerrada.

Las maneras correctas para llenar su cilindro son por peso o por volumen, según se describe en la norma NFPA-58. Por favor asegúrese de que su estación de llenado llene su cilindro de gas propano licuado midiendo el peso o el volumen. Pídale al personal de la estación de llenado que lean las instrucciones sobre cómo purgar y llenar el cilindro de gas propano licuado antes de tratar de llenarlo. ♦

PREPARATIVOS PARA LA BÚSQUEDA DE FUGAS

Verifique que Todas las Válvulas de los Quemadores Estén Cerradas

Las válvulas son despachadas de fábrica en la posición cerradas, pero usted debe verificarlo para asegurarse de que efectivamente estén cerradas. Verifíquelo presionándolas hacia abajo y girándolas hacia la derecha. Si no giran, están cerradas. Si sí girasen, continúe girándolas hacia la derecha hasta que paren; allí estarán cerradas.

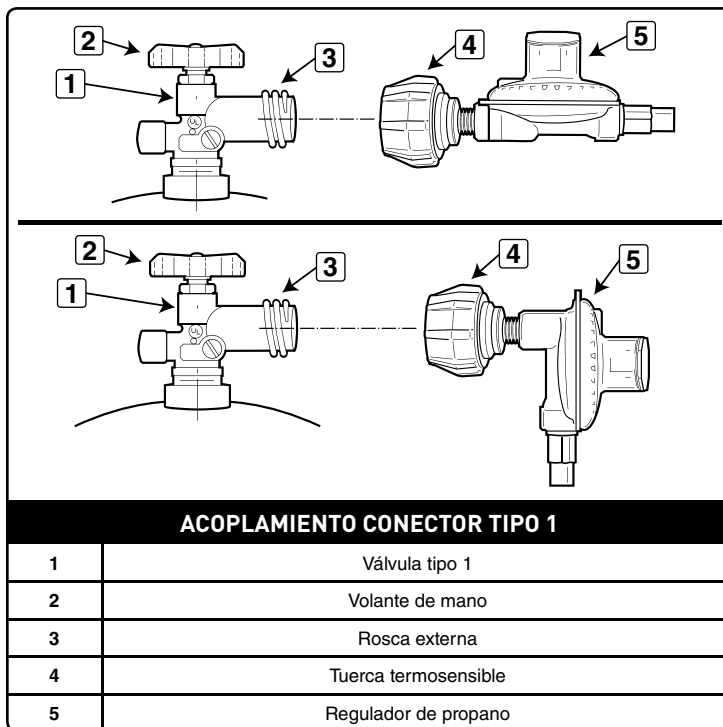
El Cilindro de Propano Licuado

Todos los reguladores de las barbacoas Weber® de gas propano licuado están equipados con una conexión de tanque certificada por los laboratorios UL de acuerdo a la más reciente edición de la norma ANSI Z21.58. Ello requerirá un tanque de propano licuado que esté igualmente equipado con una conexión Tipo 1 en la válvula del tanque. Este acoplamiento Tipo 1 permite realizar un conexión rápida y totalmente segura entre la barbacoa de gas y el tanque de propano licuado. El mismo elimina la posibilidad de fugas debido a una conexión POL que no esté debidamente apretada. El gas no fluirá del tanque a menos que el acoplamiento Tipo 1 esté completamente embebido dentro del acoplamiento.

⚠ ADVERTENCIA: Asegúrese de que la válvula del cilindro de propano licuado esté cerrada. Círrrela girándola en la dirección de las manecillas del reloj.

⚠ PELIGRO

No utilice una llama abierta para comprobar si existen fugas de gas. Asegúrese de que no haya chispas o llamas abiertas en el área mientras comprueba si existen fugas. Chispas o llamas causarán un fuego o explosión, las cuales pueden causar serias lesiones corporales o la muerte, y daños a la propiedad.



ACOPLAMIENTO CONECTOR TIPO 1

1	Válvula tipo 1
2	Volante de mano
3	Rosca externa
4	Tuerca termosensible
5	Regulador de propano

INSTRUCCIONES SOBRE EL GAS

- A) Abra las puertas del gabinete base. Saque el regulador y la manguera fuera del gabinete (1).
- B) Ubique el clip de retención de la manguera (2) en la manguera del regulador. Fíjelo a la ranura en la parte de abajo de la escala del tanque (3).

⚠ ADVERTENCIA: La manguera debe fijarse a la escala del tanque con el clip de retención de la manguera. El no hacerlo podría causar daños a la manguera que podrían resultar en un fuego o explosión, que pueden causar lesiones corporales o la muerte y daños a la propiedad.

Algunos tanques de propano licuado tienen collarines superiores con ensamblajes diferentes. (El collarín superior es el aro protector de metal alrededor de la válvula.) Una serie de tanques se ensamblan con la válvula hacia adelante (4). Los demás tanques se ensamblan con la válvula viendo en dirección contraria a la escala de combustible (5). Weber recomienda el uso de cilindros fabricados por Manchester y Worthington, con una capacidad para 47,6 lbs. de agua. Otros cilindros pudieran ser aceptables para utilizarse con la aplicación siempre que sean compatibles con los medios de retención del artefacto (vea las ilustraciones).

El cilindro de propano licuado se instala dentro del gabinete base, sobre la escala del tanque (lado derecho).

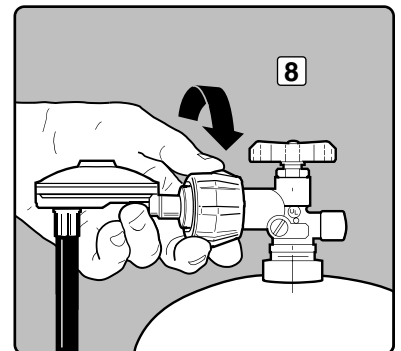
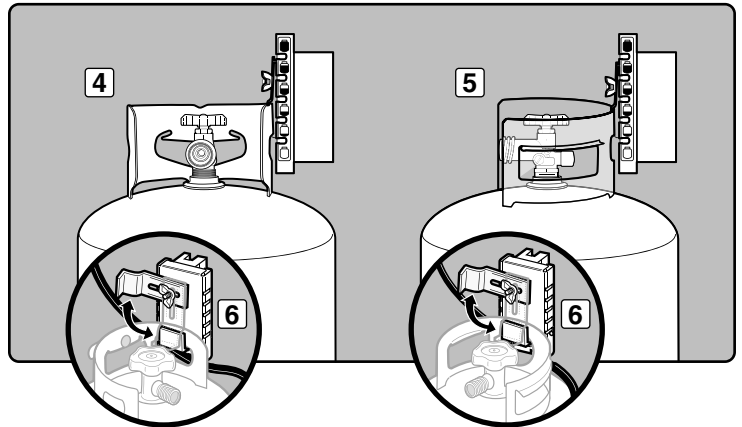
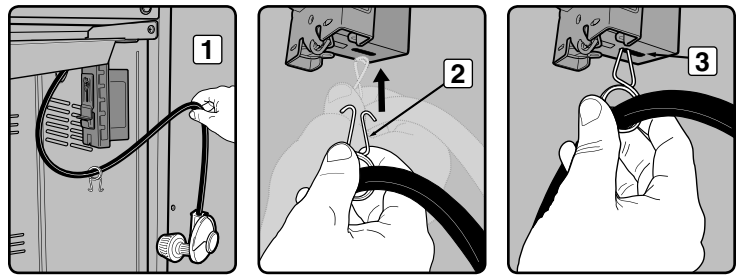
- C) Afloje la tuerca de orejas del seguro del cilindro. Gire el seguro del cilindro hacia arriba (6).
- D) Gire el cilindro de propano licuado de manera que la abertura de la válvula esté viendo hacia la parte frontal o lateral de la barbacoa de gas Weber®.
- E) Levante el tanque y colóquelo en posición sobre la báscula del tanque (7).
- F) Gire el seguro del cilindro hacia abajo. Apriete la tuerca de orejas.

Conecte la Manguera al Cilindro

- A) Retire la cubierta antipolvo de plástico de la válvula.
- B) Enrosque el acoplamiento del regulador a la válvula del tanque, en el sentido de las agujas del reloj o hacia la derecha (8). Apriete sólo a mano.

Nota: Esta conexión se aprieta hacia la derecha y no permitirá que el gas fluya a menos que la conexión esté apretada. La conexión sólo requiere apretarse a mano.

⚠ ADVERTENCIA: No use una llave para apretar la conexión. Si usase una llave, podría dañar el acoplamiento del regulador y causar una fuga.

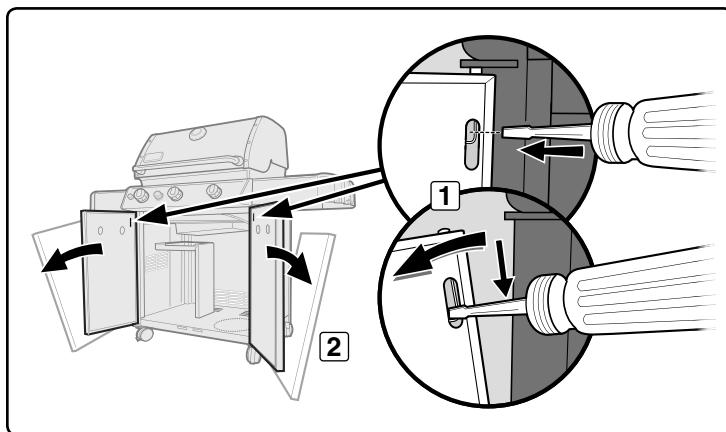


INSTRUCCIONES SOBRE EL GAS

Retire las Perillas de Control y el Panel de Control para las Pruebas de Detección de Fugas

Necesitará: destornilladores Phillips y de punta plana.

- A) Ubique el pasador de desenganche en el ensamble de la puerta. Con un destornillador, presione el pasador de desenganche de la puerta (1) hasta lograr que la puerta se desprenda del ensamble del bastidor (2) y levante la puerta fuera del pasador de bisagra ajustable inferior.
- B) Retire las perillas de control, el botón de encendido, la tuerca de retención y la batería (3).
- C) Saque los tornillos del deflector de viento con un destornillador Phillips (4).
- D) Incline el extremo del deflector de viento hacia abajo y deslícelo en dirección contraria a usted para sacarlo (5).
- E) Permita que el módulo de encendido cuelgue de los cables. No lo desconecte (6).
- F) Saque los tornillos de la parte inferior del panel de control con un destornillador Phillips (7).
- G) Levante ligeramente el panel de control, incline el borde delantero hacia arriba y levántelo con cuidado (8).
- H) Al terminar las pruebas de detección de fugas, vuelva a colocar el panel de control y el deflector de viento en su lugar. ♦



DETECCIÓN DE FUGAS DE GAS

⚠ PELIGRO

No utilice una llama abierta para comprobar si existen fugas de gas. Asegúrese de que no haya chispas o llamas abiertas en el área mientras comprueba si existen fugas. Chispas o llamas causarían un fuego o explosión, las cuales pueden causar graves lesiones corporales o la muerte, y daños materiales.

Nota: Todas las conexiones hechas en la fábrica han sido revisadas a fondo para asegurar que no existan fugas. Los quemadores han sido probados con las llamas encendidas. Como medida de precaución, sin embargo, usted deberá de volver a revisar todas las conexiones en busca de fugas antes de utilizar su barbacoa de gas Weber®. Durante el manejo y despacho puede haberse aflojado o dañado alguna conexión de gas.

⚠ **ADVERTENCIA:** Las conexiones de gas de su barbacoa de gas han sido probadas en la fábrica. Le recomendamos que inspeccione todas las conexiones de gas antes de operar la barbacoa de gas.

⚠ **ADVERTENCIA:** Lleve a cabo estos chequeos de fugas aun y cuando su barbacoa haya sido ensamblada por el distribuidor o en la tienda donde la compró.

Si la barbacoa cuenta con un quemador lateral, asegúrese de que éste esté apagado.

Abra el suministro de gas en la fuente del mismo.

⚠ **ADVERTENCIA:** No encienda los quemadores mientras esté verificando la existencia de fugas.

Usted necesitará: una solución de agua y jabón y un trapo o una brocha para aplicarla.

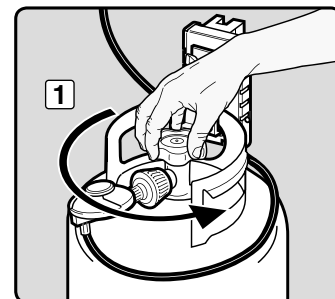
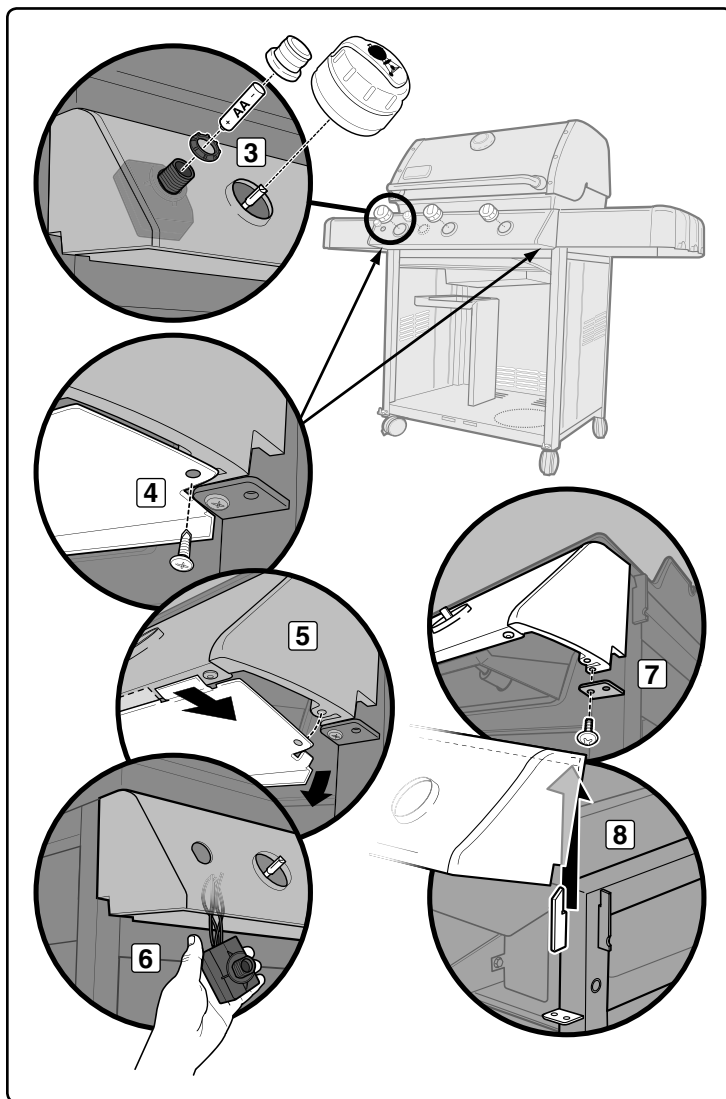
- A) Mezcle agua y jabón.
- B) Abra el suministro de gas (1).
- C) Compruebe la existencia de fugas mojando las conexiones con la solución de agua y jabón y viendo si se generan burbujas. Si se forman burbujas, o si una burbuja crece, es que hay una fuga.

Si hay una fuga, cierre el gas y apriete la conexión. Abra el gas de nuevo y con la solución de jabón y agua vuelva a verificar que no existan fugas. Si la fuga no cesa no utilice la barbacoa. Contacte al Representante de Servicios al Cliente en su área utilizando la información de contacto en nuestro sitio web. Conéctese a www.weber.com.

- D) Cuando se haya completado la comprobación de las fugas de gas, cierre el suministro de gas en la fuente y lave las conexiones con agua.

Nota: Dado que algunas soluciones para la detección de fugas, incluyendo el agua y jabón, pueden ser ligeramente corrosivas, todas las conexiones deberán enjuagarse con agua después de realizar la comprobación de las fugas.

⚠ **ADVERTENCIA:** Cada vez que conecte o desconecte una conexión de gas, deberá verificar que no hayan fugas de gas.



INSTRUCCIONES SOBRE EL GAS

Verifique

- A) La conexión de la manguera del regulador al tabique divisorio (1).
- B) La conexión de la línea de gas principal al tabique divisorio (2).
- C) La conexión de la línea de gas principal al múltiple (3).
- D) La conexión de la línea de gas del quemador lateral al múltiple (4).
- E) La conexión de la tubería del quemador lateral a la copa del quemador lateral (5).
- F) La conexión de la tubería del quemador lateral a las conexiones de la válvula del quemador lateral (6).

⚠ **ADVERTENCIA:** Si hubiese una fuga en una conexión (1, 2, 3, 4, 5 o 6), vuelva a apretar la conexión con una llave y con la solución de agua y jabón vuelva a verificar que no hayan fugas de gas. Si una fuga persiste aún después de volver a apretar la conexión, **CIERRE el gas. NO OPERE LA BARBACOA.** Contacte al Representante de Servicios al Cliente en su área utilizando la información de contacto en nuestro sitio web. Conéctese a www.weber.com®.

- G) La conexión de la desconexión rápida del quemador lateral (7).
- H) La conexión de la manguera del regulador al cilindro (8).
- I) La conexión de la manguera del regulador al regulador (9).
- J) Las conexiones de las válvulas al múltiple (10).

⚠ **ADVERTENCIA:** Si hubiese una fuga en las conexiones (7, 8, 9 o 10), **CIERRE el gas. NO OPERE LA BARBACOA.** Contacte al Representante de Servicios al Cliente en su área utilizando la información de contacto en nuestro sitio web. Conéctese a www.weber.com®.

Cuando se hayan completado las revisiones para detectar fugas de gas, **CIERRE el suministro de gas** y enjuague las conexiones con agua.

Reinstale el panel de control

Necesitará: un destornillador Phillips

- A) Posicione el borde superior del panel de control sobre las pestañas del bastidor. Empuje hacia abajo para que encaje su sitio.
- B) Reinstale el módulo de encendido.
- C) Deslice las dos pestañas más cortas del deflector de viento hacia el borde interno del panel de control mientras desliza la pestaña más larga sobre el borde externo. Como referencia, ubique las ilustraciones previas.
- E) Alinee los tornillos con los orificios de los tornillos tanto en el soporte del panel de control como en el bastidor.
- F) Apriete los tornillos.
- G) Coloque las perillas de control correspondientes sobre los vástagos de las válvulas. ♦

CÓMO RECARGAR EL CILINDRO DE PROPANO LICUADO

Le recomendamos que llene su cilindro de gas propano licuado antes de que éste se vacíe por completo.

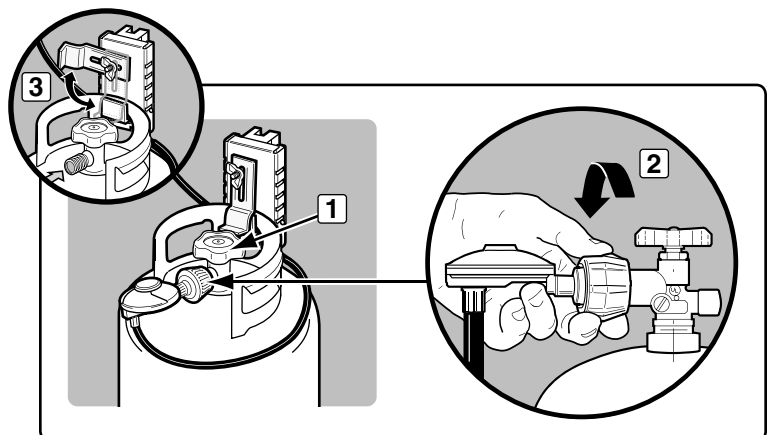
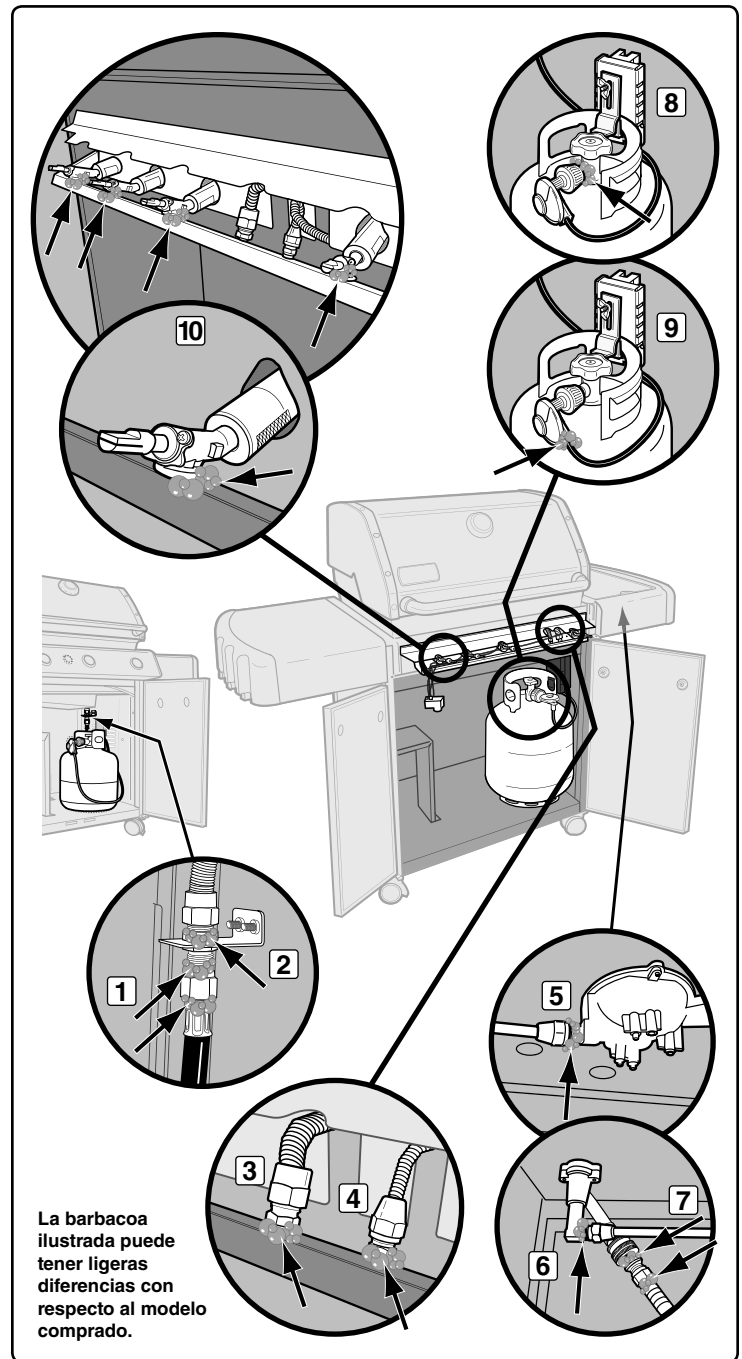
Cómo retirar el cilindro de gas propano licuado.

- A) Cierre la válvula del tanque (gire en el sentido de las agujas del reloj) (1).
- B) Desenrosque el cople del regulador girándolo, solamente a mano, en sentido contrario a las agujas del reloj (2).
- C) Afloje la tuerca de mariposa del seguro del cilindro y voltee el seguro hacia arriba para que no moleste (3).
- D) Levante el cilindro del soporte.

Para llenar un cilindro de gas propano, llévelo a un expendedor de gas propano, o busque a otros suplidores bajo "gas propano" en el directorio telefónico.

⚠ **ADVERTENCIA:** Recomendamos llenar su cilindro de gas propano licuado con un distribuidor de gas propano autorizado que tenga un encargado debidamente calificado y que llene el tanque en base a peso. **EL LLENADO INCORRECTO ES PELIGROSO.**

⚠ **PRECAUCIÓN:** Siempre que el cilindro esté sin usarse, coloque la capucha antipolvo sobre la salida de la válvula del mismo. Sólo instale sobre la salida de la válvula el tipo de capucha antipolvo con la que vino provista la misma. Otros tipos de capuchas o tapones pudieran causar fugas de propano. ♦

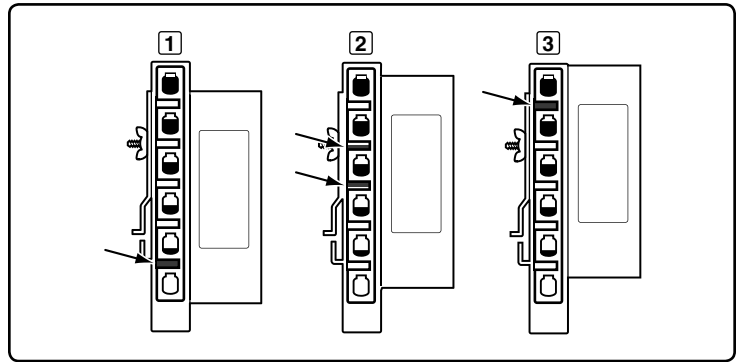


ANTES DE UTILIZAR LA BARBACOA

NIVEL DE COMBUSTIBLE

Verifique el nivel de combustible viendo la línea de color indicadora del nivel, ubicada al lado de la escala del tanque.

- A) Vacío (1)
- B) Medio (2)
- C) Lleno (3) ♦



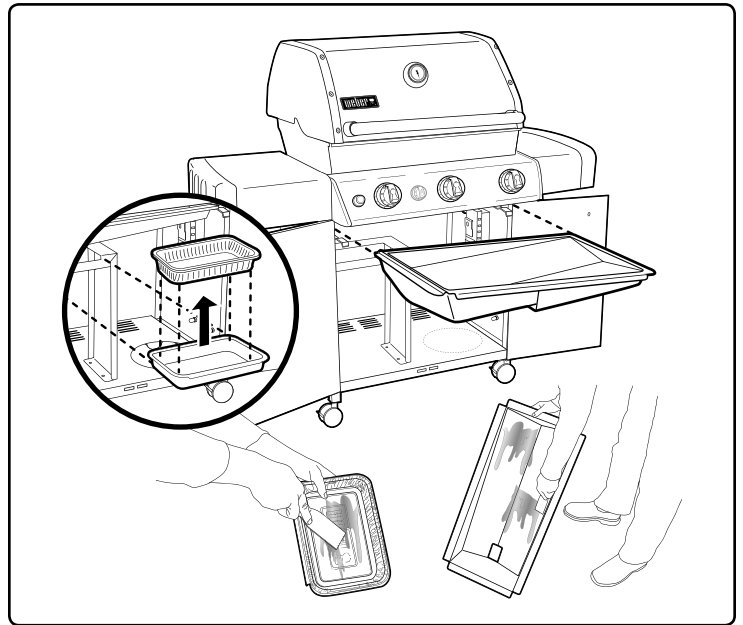
BANDEJA CORREDIZA RECOLECTORA DE GRASA Y BANDEJA DE GOTEO DESECHABLE

La barbacoa lleva incorporada un sistema de captación de grasa. Cada vez que vaya utilizar la barbacoa, revise la bandeja corrediza recolectora de grasa y la bandeja de goteo desechable para cerciorarse de que no se haya acumulado grasa en las mismas.

Retire el exceso de grasa con una espátula plástica; vea a la ilustración. Cuando sea necesario, lave la bandeja corrediza recolectora de grasa y la bandeja de goteo desechable con una solución de agua y jabón, y luego enjuáguelas con agua limpia. Reemplace la bandeja de goteo desechable en la medida que sea necesario.

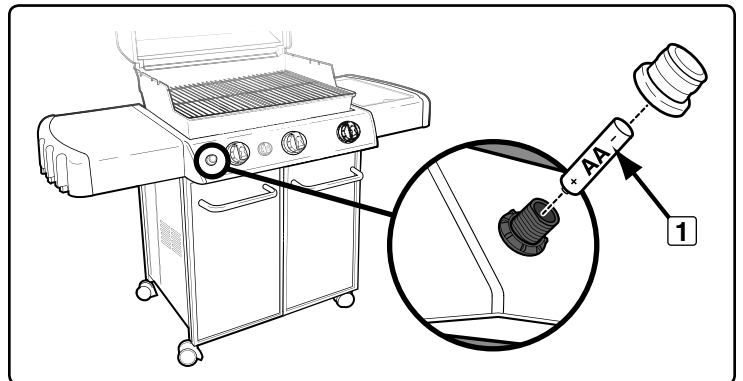
⚠ **ADVERTENCIA:** Cada vez que vaya utilizar la barbacoa, revise la bandeja corrediza recolectora de grasa y la bandeja de goteo desechable para cerciorarse de que no se haya acumulado grasa en las mismas. Retire cualquier exceso de grasa para evitar un incendio de grasa. Un incendio de grasa puede causar lesiones corporales graves o daños materiales.

⚠ **PRECAUCIÓN:** No forre la bandeja corrediza recolectora de grasa con hoja de aluminio. ♦



INSPECCIÓN DEL ENCENDEDOR ELECTRÓNICO

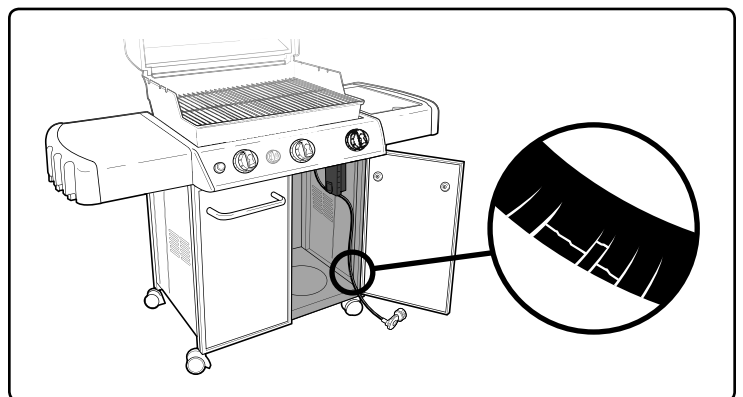
Verifique que la batería AA (solamente alcalinas) esté en buenas condiciones y correctamente instalada (1). Algunas baterías tienen una envoltura práctica protectora alrededor de ellas. Este plástico debe sacarse. No confunda este plástico con la etiqueta de la batería. ♦



INSPECCIÓN DE LA MANGUERA

Se deberá inspeccionar la manguera para ver si tiene alguna señal de agrietamiento.

⚠ **ADVERTENCIA:** Inspeccione la manguera previo a cada uso de la barbacoa y asegúrese de que no tenga muescas, grietas, abrasiones o cortes. Si se encontrase que la manguera estuviese dañada de cualquier manera, no utilice la barbacoa. Reemplácela solamente con una manguera de repuesto autorizada por Weber®. Contacte al Representante de Servicios al Cliente en su área utilizando la información de contacto en nuestro sitio web. Conéctese a www.weber.com®. ♦



ENCENDIDO Y USO DEL QUEMADOR PRINCIPAL

ENCENDIDO DEL QUEMADOR PRINCIPAL

Nota: Instrucciones resumidas para el encendido se encuentran dentro de la puerta izquierda del gabinete.

⚠ PELIGRO

El no abrir la tapa mientras se estén encendiendo los quemadores de la barbacoa, o no esperar cinco minutos para que el gas se disipe si la barbacoa no se enciende, puede resultar en una llamarada explosiva, la cual puede causar lesiones corporales graves o la muerte.

- A) Abra la tapa (1).
- B) Asegúrese de que todas las perillas de control de los quemadores estén apagadas (2). (Presione la perilla de control y gírela en dirección de las agujas del reloj para asegurarse de que esté en la posición OFF [apagada].)

⚠ **ADVERTENCIA:** Las perillas de control de los quemadores deberán estar en la posición OFF (apagada) antes de abrir la válvula del tanque de propano licuado (3). Si no lo estuviesen, cuando abra la válvula del tanque de propano licuado se activará el “control de exceso de flujo” y limitará el flujo de gas desde el tanque de propano licuado. Si esto llegase a ocurrir, cierre la válvula del tanque de propano y las perillas de control del quemador. Comience de nuevo.

⚠ PELIGRO

Cuando se activa el “control de exceso de flujo”, una pequeña cantidad de gas sigue fluyendo a los quemadores. Después de cerrar la válvula del tanque de propano y las perillas de control de los quemadores, espere por lo menos cinco minutos para que el gas se disipe antes de tratar de encender la barbacoa. El no hacer esto podría resultar en una llamarada explosiva que puede causar lesiones corporales graves o la muerte.

- C) Abra el suministro de gas del tanque girando lentamente la válvula del mismo en dirección contraria a las agujas del reloj (3).

Sistema de Encendido Electrónico

Cada perilla de control opera un quemador individual, y cada quemador se enciende con un encendedor electrónico. El sistema de encendido enciende cada quemador individualmente mediante una chispa proveniente del electrodo del encendedor ubicado dentro de la cámara de encendido Gas Catcher™. Usted genera la energía de la chispa al pulsar el botón de encendido electrónico. Lo oírá hacer clic.

- D) Encienda los quemadores individualmente de izquierda a derecha. Comience con el quemador a la izquierda; presione la perilla de control y gírela hasta START/HI (encendido/fuego alto) (4). Pulse y mantenga presionado el botón de encendido electrónico (5). Lo oírá hacer clic. Verifique que el quemador izquierdo esté encendido viendo hacia abajo a través de las parrillas de cocción. Deberá ver una llama (6).

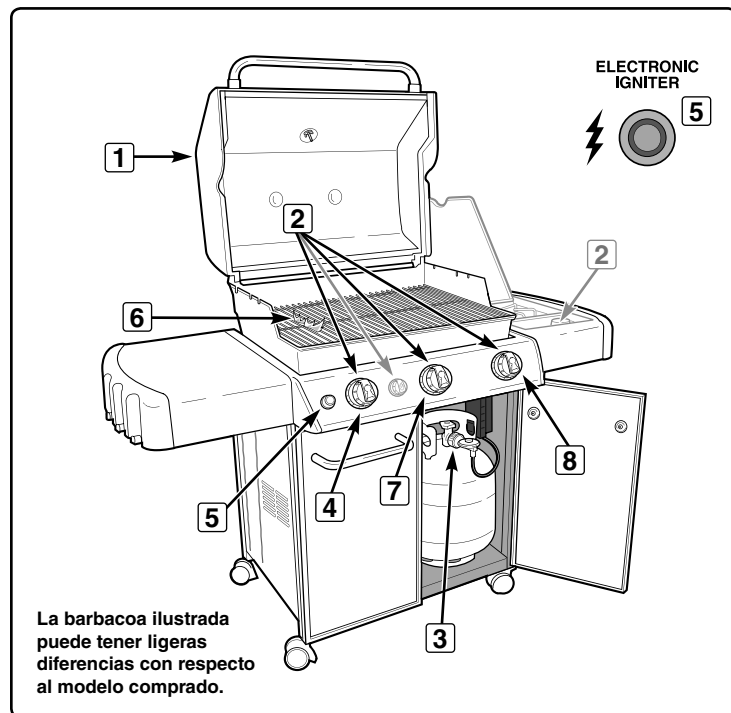
⚠ **ADVERTENCIA:** No se incline sobre la barbacoa abierta.

- E) Encienda el quemador central presionando la perilla de control y girándola hacia START/HI (encendido/fuego alto) (7). Luego, pulse y mantenga presionado el botón de encendido electrónico (5). Lo oírá hacer clic. Verifique que el quemador central esté encendido viendo hacia abajo a través de las parrillas de cocción.

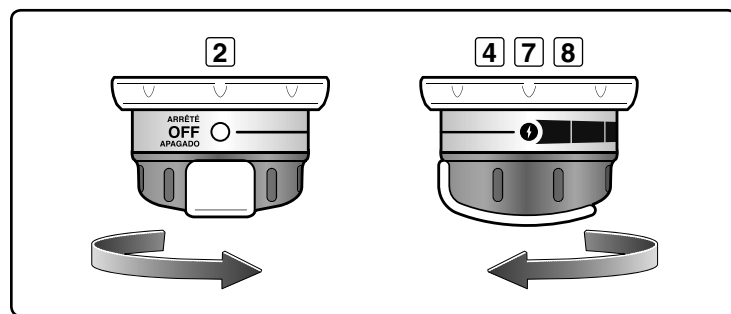
- F) Encienda el quemador derecho presionando la perilla de control y girándola hacia START/HI (encendido/fuego alto) (8). Pulse y mantenga presionado el botón de encendido electrónico (5). Lo oírá hacer clic. Confirme que el quemador derecho esté encendido viendo hacia abajo a través de las parrillas de cocción.

⚠ **ADVERTENCIA:** Cada quemador debe encenderse individualmente pulsando el botón de encendido electrónico. El no hacerlo puede resultar en una llamarada de gas que puede causar lesiones corporales graves y daños materiales.

⚠ **ADVERTENCIA:** Si cualquier quemador no llegase a encenderse en el lapso de cinco segundos durante el encendido, pare, cierre la perilla de control del quemador (posición OFF) y espere cinco minutos para permitir que el gas se disipe antes de volver a intentarlo o encender la barbacoa con un cerillo. ♦



La barbacoa ilustrada puede tener ligeras diferencias con respecto al modelo comprado.



PARA APAGAR

Presione y gire la perilla de control de cada quemador en dirección de las agujas del reloj a la posición OFF (apagada). Cierre el suministro de gas en la fuente del mismo. ♦

ENCENDIDO Y USO DEL QUEMADOR PRINCIPAL

ENCENDIDO MANUAL DEL QUEMADOR PRINCIPAL

⚠ PELIGRO

El no abrir la tapa mientras se estén encendiendo los quemadores de la barbacoa, o no esperar cinco minutos para que el gas se disipe si la barbacoa no se enciende, puede resultar en una llamarada explosiva, la cual puede causar lesiones corporales graves o la muerte.

- A) Abra la tapa (1).
- B) Asegúrese de que todas las perillas de control de los quemadores estén apagadas (2). (Presione la perilla de control y gírela en dirección de las agujas del reloj para asegurarse de que esté en la posición OFF [apagada].)

⚠ **ADVERTENCIA:** Las perillas de control del quemador deberán estar en la posición OFF (apagada) antes de abrir la válvula del tanque de propano licuado (3). Si no lo estuviesen, cuando abra la válvula del tanque de propano licuado se activará el “control de exceso de flujo” y limitará el flujo de gas desde el tanque de propano licuado. Si esto llegase a ocurrir, cierre la válvula del tanque de propano y las perillas de control del quemador. Comience de nuevo.

⚠ PELIGRO

Cuando se activa el “control de exceso de flujo”, una pequeña cantidad de gas sigue fluyendo a los quemadores. Después de cerrar la válvula del tanque de propano y las perillas de control del quemador, espere por lo menos cinco minutos para que el gas se disipe antes de tratar de encender la barbacoa. El no hacer esto podría resultar en una llamarada explosiva que puede causar lesiones corporales graves o la muerte.

- C) Abra el suministro de gas del tanque girando lentamente la válvula del mismo en dirección contraria a las agujas del reloj (3).
- D) Encienda los quemadores individualmente de izquierda a derecha. Comience con el quemador a la izquierda. Coloque un cerillo en el portacerillos y enciéndalo. Inserte el portacerillos con el cerillo encendido a través de las parrillas de cocción, pasando las barras Flavorizer®, hasta quedar al lado del quemador izquierdo (4). Presione la perilla de control (5) y gírela hasta START/HI (encendido/fuego alto) para encender el quemador izquierdo. Verifique que el quemador izquierdo esté encendido viendo hacia abajo a través de las parrillas de cocción. Deberá ver una llama (6).

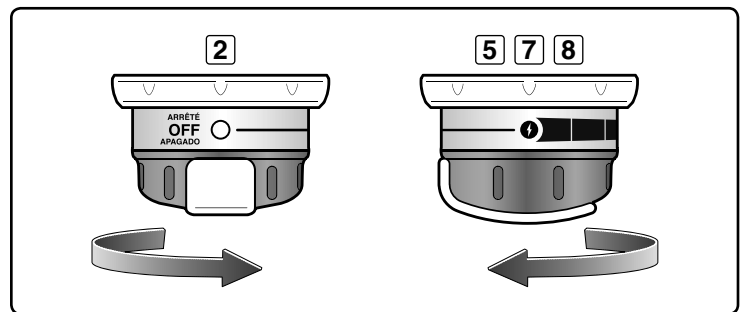
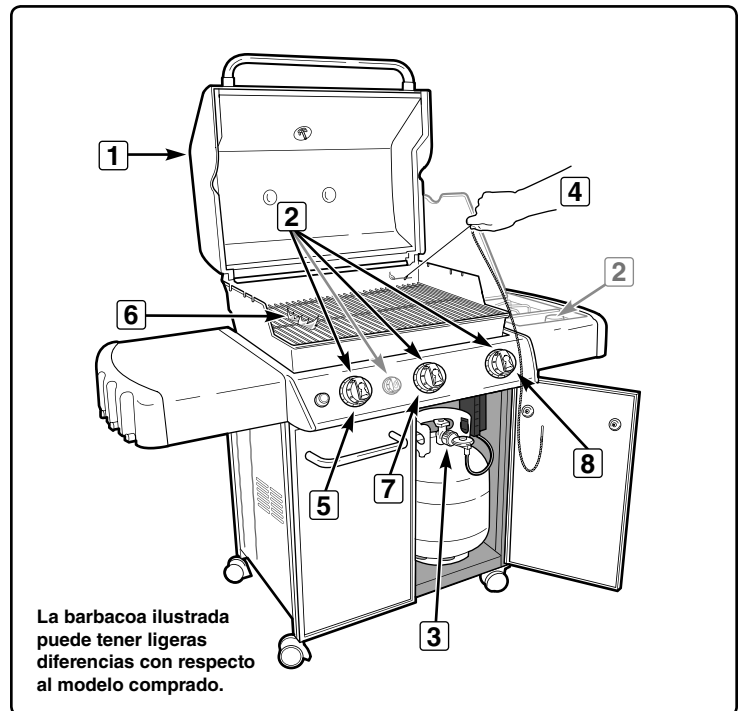
⚠ **ADVERTENCIA:** No se incline sobre la barbacoa abierta.

- E) Encienda el quemador central colocando un cerillo en el portacerillos y encendiendo el cerillo. Luego, inserte el portacerillos a través de las parrillas de cocción, pasando las barras Flavorizer®, hasta quedar al lado del quemador central. Presione la perilla de control (7) y gírela hasta START/HI (encendido/fuego alto) para encender el quemador central. Verifique que el quemador central esté encendido viendo hacia abajo a través de las parrillas de cocción.
- F) Encienda el quemador derecho colocando un cerillo en el portacerillos y encendiendo el cerillo. Luego, inserte el portacerillos a través de las parrillas de cocción, pasando las barras Flavorizer®, hasta quedar al lado del quemador derecho. Presione la perilla de control (8) y gírela hasta START/HI (encendido/fuego alto) para encender el quemador derecho. Verifique que el quemador derecho esté encendido viendo hacia abajo a través de las parrillas de cocción.

⚠ **ADVERTENCIA:** Si cualquier quemador no llegase a encenderse en el lapso de cinco segundos durante el encendido, pare, cierre la perilla de control del quemador (posición OFF) y espere cinco minutos para permitir que el gas se disipe antes de volver a intentarlo. ♦

PARA APAGAR

Presione y gire la perilla de control del quemador en dirección de las agujas del reloj a la posición OFF (apagada). Cierre el suministro de gas en la fuente del mismo. ♦



ENCENDIDO Y USO DE LA ESTACIÓN DE DORADO "SEAR STATION"®

ENCENDIDO DEL QUEMADOR DE LA ESTACIÓN PARA DORAR SEAR STATION®

El modelo 330 incluye un quemador para dorar, el cual funciona igual que un quemador individual. El encendido del quemador para dorar es igual al encendido de un quemador principal. Para instrucciones de cómo encender el quemador para dorar consulte el "ENCENDIDO DEL QUEMADOR PRINCIPAL." **Al encender el quemador para dorar, siga todos los pasos y tome nota de las situaciones de peligro y de las advertencias tal como si estuviera encendiendo un quemador principal.** ♦

ENCENDIDO MANUAL DEL QUEMADOR DE LA ESTACIÓN PARA DORAR SEAR STATION®

Para instrucciones de cómo encender manualmente el quemador para dorar, consulte el "ENCENDIDO MANUAL DE LOS QUEMADORES PRINCIPALES." **Al encender manualmente el quemador para dorar, siga todos los pasos y tome nota de las situaciones de peligro y de las advertencias tal como si estuviera encendiendo manualmente un quemador principal.** ♦

¿QUÉ SIGNIFICA DORAR?

Dorar es una técnica de asado directo utilizada con las carnes, tales como los bistecs, piezas de aves, pescados y chuletas. El dorar dora la superficie de los alimentos a una alta temperatura. Al dorar ambos lados de la carne, usted carameliza la superficie del alimento, creando un sabor más apetecible. El dorar también mejorará la apariencia de la carne con las marcas de dorado que deja la parrilla de cocción. El contraste resultante de texturas y sabores puede hacer que el alimento sea más interesante para el paladar.

En la medida que obtenga más experiencia en el uso de la estación para dorar SEAR STATION®, lo animamos a que experimente con diferentes tiempos de dorado a fin de lograr los resultados más apetecibles para su gusto. ♦

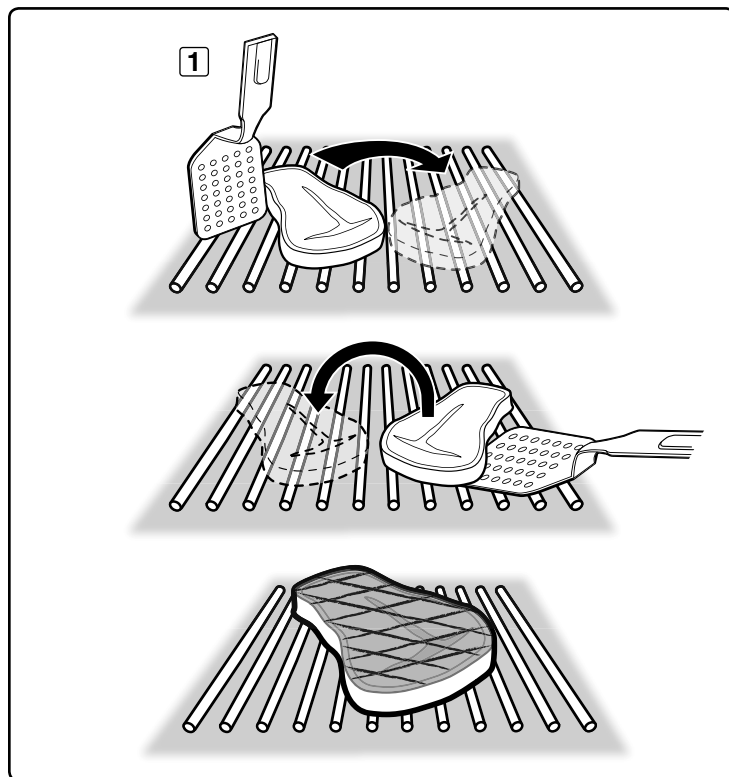
OPERACIÓN DEL QUEMADOR DE LA ESTACIÓN PARA DORAR SEAR STATION®

El quemador de la estación para dorar SEAR STATION® cuenta con las posiciones de control OFF (apagado), START/HI (encendido/fuego alto), y LOW (fuego bajo) que funcionan con los quemadores izquierdo y central. Con el quemador para dorar y los quemadores adyacentes, usted puede dorar las carnes de manera efectiva a la vez que utiliza la zona del quemador derecho para asar bajo calor moderado.

Antes de empezar a dorar, deberá colocar todos los quemadores principales en la posición HI (fuego alto) durante quince minutos a fin de precalentar la barbacoa. Una vez se haya precalentado la barbacoa, coloque el quemador derecho en la posición OFF (apagado) o LOW (fuego bajo). Deje los quemadores central e izquierdo en la posición HI (fuego alto) y encienda el quemador de la estación para dorar SEAR STATION®.

Coloque la carne directamente sobre la estación para dorar SEAR STATION®. Dorará cada lado entre uno a cuatro minutos, según el tipo y grosor de la carne. Puede girar el alimento un cuarto de vuelta para dejar las huellas cruzadas que deja el dorar (1) antes de que dore el otro lado de la misma manera.

Una vez haya terminado de dorar, puede terminar de asar la carne moviéndola a un calor más moderado sobre el calentador derecho para alcanzar el grado de cocción deseado. Siempre ase con la tapa cerrada para lograr el calor máximo y evitar llamaradas. ♦



CONSEJOS PRÁCTICOS PARA ASAR

- Siempre precaliente la barbacoa antes de cocinar en la misma. Ajuste todos los quemadores a la posición llama alta y cierre la tapa, caliente durante 10 minutos, o hasta que el termómetro marque 500° – 550° F (260° – 288° C).
- Para alimentos siempre perfectamente asadas, dore la carnes y cocine con la tapa cerrada.
- Los tiempos de asado en las recetas son en base a una temperatura ambiental de 70° F (20° C) y poco o ningún viento. Permita un mayor tiempo de cocción en días fríos o de viento, o a mayores altitudes. Permita menos tiempo de cocción en climas extremadamente calurosos.
- Los tiempos pueden variar a causa del clima, o la cantidad, tamaño y forma de los alimentos asados.
- La temperatura de operación de la barbacoa de gas podría ser más caliente de lo normal durante los primeros usos.
- Las condiciones de asado pueden requerir el ajuste de los controles de los quemadores para obtener las temperaturas de cocción correctas.
- Por lo general, las piezas de carne más grandes requerirán mayor tiempo de cocción por libra que las piezas más chicas. Los alimentos abarrotados sobre una parrilla de cocción requerirán de más tiempo de cocción que sólo unos pocos alimentos. Los alimentos asados dentro de recipientes, tales como judías en salsa de tomate, tomarán más tiempo si se cocinan en una cacerola profunda que en una olla llana.
- Recorte el exceso de grasa de los bistecs, chuletas, y asados, dejando apenas ¼ de pulgada (6.4 mm) de grasa. Menos grasa facilita la limpieza, y es una garantía casi absoluta contra las indeseadas llamaradas.
- Los alimentos colocados sobre la parrilla de cocción directamente encima de los quemadores pudieran requerir que se les dé la vuelta o que se les mueva a un área menos caliente.
- Use tenacillas en vez de un tenedor para dar vuelta y manipular las carnes para así evitar perder los jugos naturales. Use dos espátulas para manipular un pescado entero grande.
- Si llegase a ocurrir alguna llamarada indeseada, apague todos los quemadores y mueva los alimentos a otra zona de la parrilla de cocción. Cualquier llama se apagará rápidamente. Una vez que las llamas se apaguen, vuelva a encender la parrilla. **JAMÁS USE AGUA PARA EXTINGUIR LAS LLAMAS EN UNA PARRILLA DE GAS.**
- Algunos alimentos, tales como los guisos o los filetes delgados de pescado, requerirán de un recipiente para asarlos. Las ollas desechables de lámina son muy convenientes, pero puede usarse cualquier olla de metal con asas resistentes al calor.
- Asegúrese siempre de que la bandeja corredera recolectora de grasa y el plato recolector estén limpios y libres de desechos.
- No forre la bandeja corredera recolectora de grasa con papel aluminio. Ello podría prevenir que la grasa fluya al plato recolector.
- El usar un temporizador le ayudará a alertarle cuando “bien cocido” esté a punto de convertirse en “sobre cocido.” ♦

PRECALENTADO

La barbacoa de gas Weber® es un artefacto que utiliza la energía eficientemente. La misma opera a una baja tasa de consumo calorífico. Es importante precalentar la barbacoa antes de asar. Encienda su barbacoa de gas Summit® de acuerdo con las instrucciones en este Guía del Propietario. Para precalentar: tras encender, gire los quemadores a la posición encendido/fuego alto, cierre la tapa, y caliente hasta que la temperatura alcance entre 500° y 550° F (260° y 290°C), la temperatura recomendada para asar. Esto tomará entre 10 y 15 minutos, dependiendo de tales condiciones como la temperatura del aire y el viento.

Puede ajustar los quemadores individuales a su gusto. Los ajustes de control son APAGADO, ENCENDER/FUEGO ALTO, FUEGO MEDIO, y FUEGO BAJO.



Nota: Las condiciones bajo las que se esté cocinando, tales como el viento y el tiempo, pueden hacer que se requieran ajustes a los controles de los quemadores para obtener las temperaturas de cocción correctas.

Nota: Si la barbacoa pierde calor mientras se está cocinando, refiérase a la sección de resolución de problemas de este manual.

⚠ ADVERTENCIA: No mueva la barbacoa de gas Weber® mientras esté en operación o esté caliente.

Si los quemadores se apagasen durante la cocción, apague todos los quemadores y espere cinco minutos antes de volver a encender. ♦

COCCIÓN CUBIERTA

Todo asado deberá realizarse con la tapa cerrada para proporcionar un calor uniforme y con una circulación pareja. Con la tapa cerrada, la Barbacoa de Gas Summit® cocinará de manera muy parecida a un horno de convección. El termómetro en la tapa indica la temperatura de cocción dentro de la barbacoa. Todo precalentamiento y cocción se realiza con la tapa cerrada. Nada de miraditas - se pierde calor cada vez que usted abre la tapa. ♦

PRINGUES Y GRASA

Las barras del Flavorizer® han sido diseñadas para “ahumar” la cantidad correcta de pringues y así obtener una cocción con bastante sazón. Los jugos de cocción y el exceso de grasa se acumularán en el plato recolector debajo de la bandeja corredera recolectora de grasa. Hay disponibles bandejas de goteo desechables que caben en el plato recolector.

⚠ ADVERTENCIA: Antes de cada uso, revise que no haya grasa acumulada en la bandeja corredera recolectora de grasa y en el plato recolector. Retire el exceso de grasa para evitar que ésta se incendie en la bandeja corredera recolectora de grasa. ♦

EL SISTEMA FLAVORIZER®

Cuando los jugos de carne chorrean de la comida a las barras Flavorizer® colocadas a un ángulo especial, estas crean un humo que le da a la comida una sazón a barbacoa irresistible. Gracias al diseño único de los quemadores, las barras Flavorizer® y los flexibles controles de temperatura, los fogonazos descontrolados han sido virtualmente eliminados, pues USTED controla las llamas. Debido al diseño especial de las barras Flavorizer® y de los quemadores, las grasas en exceso son dirigidas a través de la bandeja corredera recolectora de grasa al plato recolector. ♦

ENCENDIDO Y USO DEL QUEMADOR LATERAL

ENCENDIDO DEL QUEMADOR LATERAL

Dentro del puerta izquierda del gabinete se encuentran las instrucciones resumidas de encendido.

⚠ PELIGRO

El no abrir la tapa mientras se esté encendiendo el quemador lateral, o no esperar cinco minutos para que el gas se disipe si el quemador lateral no se enciende, puede resultar en una llamarada explosiva, la cual puede causar lesiones corporales serias o la muerte.

- ⚠ **ADVERTENCIA:** Inspeccione la manguera previo a cada uso de la barbacoa y asegúrese de que no tenga muecasas, grietas, abrasiones o cortes. Si se encontrase que la manguera estuviese dañada de cualquier manera, no utilice la barbacoa. Reemplácela solamente con una manguera de repuesto autorizada por Weber®. Contacte al Representante de Servicios al Cliente en su área utilizando la información de contacto en nuestro sitio web. Conéctese a www.weber.com®.

- A) Abra la tapa del quemador lateral (1).
B) Verifique que la válvula del quemador lateral esté cerrada (2) (empuje la perilla de control hacia adentro y gírela en dirección de las agujas del reloj para asegurar de que esté en la posición APAGADO), coloque todos los quemadores que no se estén usando en la posición APAGADO (empujando hacia adentro y girando en la dirección de las agujas del reloj).
C) Abra la válvula de suministro de gas (3).
D) Presione y gire la válvula de control del quemador lateral a la posición ENCENDIDO/FUEGO ALTO (4).
E) Pulse el botón de encendido varias veces de manera que cada vez haga clic hasta que vea una llama (5).

⚠ **PRECAUCIÓN:** En días soleados, la llama del quemador lateral puede ser difícil de ver.

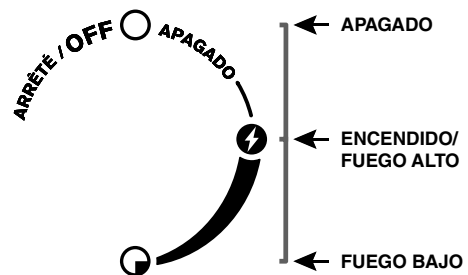
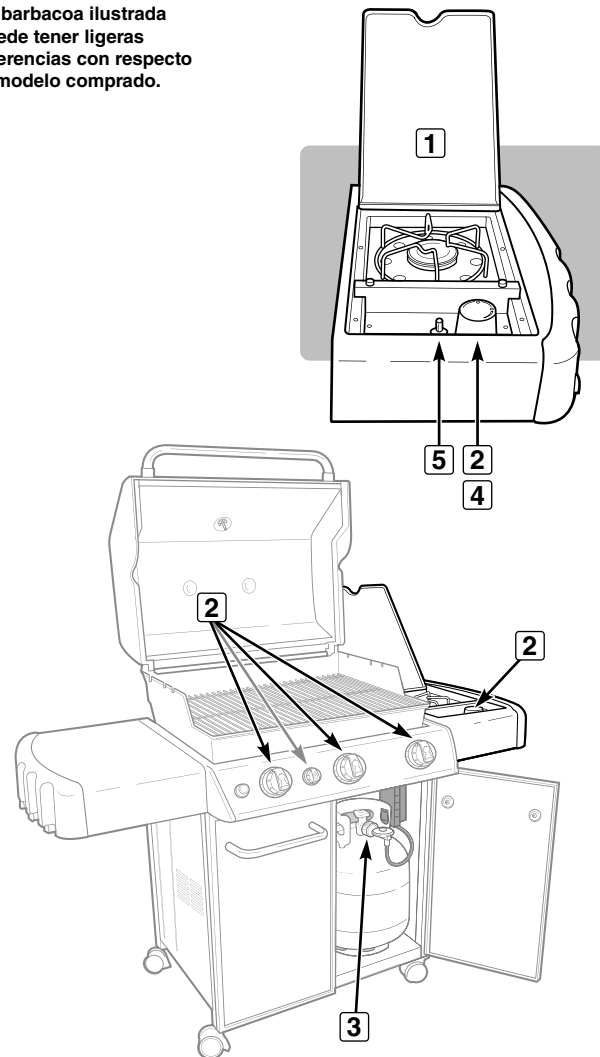
⚠ **ADVERTENCIA:** Si el quemador lateral no se enciende en cinco segundos:

- Cierre la válvula de control del quemador lateral, los quemadores principales y el suministro de gas en la fuente.
- Espere cinco minutos para permitir que el gas se disipe antes de volver a tratar de de nuevo, o tratar de encender con un cerillo (vea "ENCENDIDO MANUAL DEL QUEMADOR LATERAL"). ♦

PARA APAGAR

Presione y gire la perilla de control del quemador lateral a la posición OFF (apagado). Asegúrese de que el quemador esté apagado y frío antes de cerrar la tapa del quemador lateral. ♦

La barbacoa ilustrada puede tener ligeras diferencias con respecto al modelo comprado.



ENCENDIDO Y USO DEL QUEMADOR LATERAL

ENCENDIDO MANUAL DEL QUEMADOR LATERAL

⚠ PELIGRO

El no abrir la tapa mientras se esté encendiendo el quemador lateral, o no esperar cinco minutos para que el gas se disipe si el quemador lateral no se enciende, puede resultar en una llamarada explosiva, la cual puede causar lesiones corporales serias o la muerte.

- A) Abra la tapa del quemador lateral (1).
- B) Verifique que la válvula del quemador lateral esté cerrada (2) (empuje la perilla de control hacia adentro y gírela en dirección de las agujas del reloj para asegurar de que esté en la posición APAGADO), coloque todos los quemadores que no se estén usando en la posición APAGADO (empujando hacia adentro y girando en la dirección de las agujas del reloj).
- C) Abra la válvula de suministro de gas (3).
- D) Coloque un cerillo en el portacerillos y enciéndalo.
- E) Aguante el portacerillos y encienda con el cerillo cualquier lado del quemador lateral (4).
- F) Presione y gire la válvula de control del quemador lateral a la posición fuego alto (5).

⚠ **PRECAUCIÓN:** En días soleados, la llama del quemador lateral puede ser difícil de ver.

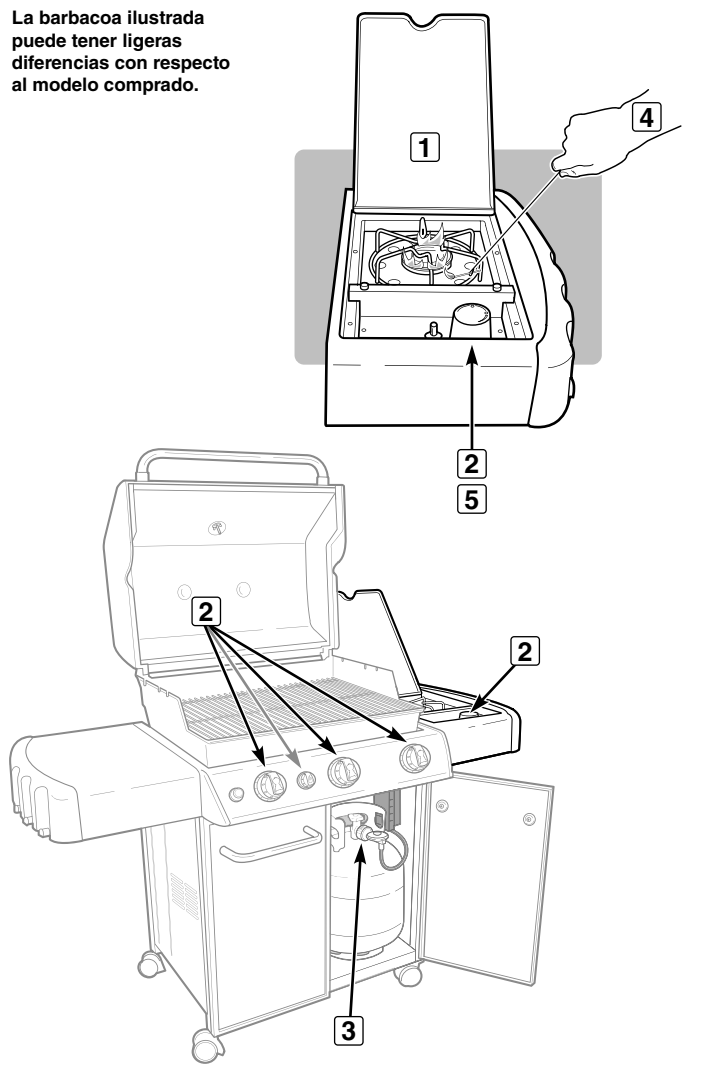
⚠ **ADVERTENCIA:** Si el quemador lateral no se enciende en cinco segundos:

- a) Cierre la válvula de control del quemador lateral, los quemadores principales y el suministro de gas en la fuente.
- b) Antes de probar de nuevo, espere cinco minutos para dejar que el gas se disipe. ♦

PARA APAGAR

Presione y gire la perilla de control del quemador lateral a la posición OFF (apagado). Asegúrese de que el quemador esté apagado y frío antes de cerrar la tapa del quemador lateral. ♦

La barbacoa ilustrada puede tener ligeras diferencias con respecto al modelo comprado.



RESOLUCIÓN DE PROBLEMAS

PROBLEMA	VERIFIQUE	SOLUCIÓN
Los quemadores queman con una llama amarilla o anaranjada, conjuntamente con un olor a gas.	Revise que no haya obstrucciones en la malla contra arañas e insectos. (Taponamiento de orificios.)	Limpie las mallas contra arañas e insectos. Consulte la sección "MANTENIMIENTO ANUAL"
Síntomas: Los quemadores no se encienden. -o- Los quemadores presentan una llama pequeña y parpadeante en la posición HI (FUEGO ALTO). -o- La temperatura de la barbacoa solamente alcanza 250° a 300° en la posición HI (FUEGO ALTO).	Puede haberse activado el dispositivo de seguridad contra el caudal excesivo, el cual es parte de la conexión de la barbacoa al cilindro.	Para restablecer el dispositivo de seguridad que previene el exceso de flujo, cierre la válvula del tanque de propano licuado y cierre todas las perillas de control de los quemadores (posición OFF). Abra la tapa de la barbacoa. Lentamente abra la válvula del tanque de propano líquido hasta quedar abierta por completo. Espere varios segundos y luego encienda la barbacoa. Consulte "ENCENDIDO DEL QUEMADOR PRINCIPAL."
El quemador no enciende, o la llama se mantiene baja en la posición HI (fuego alto).	¿Está el tanque de propano licuado vacío o bajo de combustible?	Rellene el tanque de propano licuado.
	¿Está doblada la manguera de combustible?	Enderece la manguera de combustible.
El quemador no se enciende al pulsar el botón de encendido.	Para asegurarse de que el gas esté fluyendo a los quemadores, trate de encender los quemadores con un cerillo. Consulte la sección "ENCENDIDO MANUAL DEL QUEMADOR PRINCIPAL"	Si logra encenderlos con un cerillo, el problema está en el sistema de encendido. Consulte la sección "OPERACIONES DE LOS SISTEMAS DE ENCENDIDO ELECTRÓNICO"
	¿Se tiene una batería fresca recién instalada?	Verifique que la batería esté en buen estado y correctamente instalada. Consulte la sección "INSPECCIÓN DEL ENCENDEDOR ELECTRÓNICO"
	¿Están todos los cables correctamente conectados al módulo encendedor?	Asegúrese de que los cables estén correctamente insertados dentro de los terminales en el cajetín de encendido. Consulte la sección "OPERACIONES DE LOS SISTEMAS DE ENCENDIDO ELECTRÓNICO"
	¿Está la nueva batería envuelta en plástico?	Quite la envoltura plástica.
Se producen llamaradas: ⚠ PRECAUCIÓN: No forre la bandeja deslizante para la grasa con papel aluminio.	¿Está precalentando la barbacoa de la manera indicada?	Coloque todos los quemadores en la posición HI (fuego alto) durante 10 a 15 minutos para precalentar la barbacoa.
	¿Están las rejillas de cocinar, los reflectores de calor y las barras Flavorizer® recubiertas con una capa gruesa de grasa quemada?	Límpielos a fondo. Consulte la sección "LIMPIEZA"
	¿Está sucia la bandeja deslizante de grasa y no deja que la grasa fluya al plato recolector?	Limpie la bandeja deslizante de grasa.
El quemador produce llamas con un patrón errático. La llama se mantiene baja cuando el quemador está en posición HI (fuego alto). Las llamas no corren a lo largo de todo el tubo del quemador.	¿Están limpios los quemadores?	Limpie los quemadores. Consulte la sección "MANTENIMIENTO"
La parte interna de la tapa pareciera estar "pelándose". (Se parece al desprendimiento de pintura.)	La parte interna de la tapa es de esmalte de porcelana o de acero inoxidable, y no está pintada. No puede "pelarse". Lo que está viendo es grasa asada que se ha convertido en carbón y se está descascarando. ESTO NO ES UN DEFECTO.	Limpie a fondo. Consulte la sección "LIMPIEZA"
Las puertas del gabinete no están alineadas.	Revise el esparrago de ajuste en la parte inferior de cada puerta.	Afloje la tuerca o tuercas de ajuste. Deslice la puerta o puertas hasta quedar alineadas. Apriete la tuerca.
Si los problemas no pueden corregirse usando cualquiera de estos métodos, sírvase contactar al Representante de Atención al Cliente en su área usando la información de contacto en nuestro sitio web. Conéctese a www.weber.com ®.		

RESOLUCIÓN DE PROBLEMAS CON EL QUEMADOR LATERAL

PROBLEMA	REVISAR	SOLUCIÓN
El quemador lateral no se enciende.	¿Está cerrado el suministro de gas?	Abra el suministro de gas.
	Puede haberse activado el dispositivo de seguridad de caudal excesivo, el cual es parte de la conexión de la barbacoa al cilindro.	Para restablecer el dispositivo de seguridad que previene el exceso de flujo, cierre la válvula del tanque de propano licuado y cierre todas las perillas de control de los quemadores (posición OFF). Abra las tapas de la barbacoa y del quemador lateral. Lentamente abra la válvula del tanque de propano líquido hasta quedar abierta por completo. Espere varios segundos y luego encienda el quemador lateral. Consulte "ENCENDIDO DEL QUEMADOR LATERAL."
La llama se mantiene baja en la posición FUEGO ALTO.	¿Está doblada la manguera de combustible?	Enderece la manguera.
El botón de encendido no funciona.	¿Se enciende el quemador con un cerillo?	Si un cerillo enciende el quemador, revise el encendedor. Consulte la sección "MANTENIMIENTO DEL QUEMADOR LATERAL"
Si los problemas no pueden corregirse usando cualquiera de estos métodos, por favor contacte al Representante de Atención al Cliente en su área usando la información de contacto en nuestro sitio web. Conéctese a www.weber.com ®.		

LIMPIEZA

⚠ **ADVERTENCIA:** Apague la barbacoa de gas Weber® y espere a que se enfríe antes de limpiarla.

Superficies externas — Utilice una solución de agua jabonosa tibia para limpiarlas y luego enjuáguelas con agua.

⚠ **PRECAUCIÓN:** Sobre la superficie de la barbacoa o del carro no utilice limpiadores de horno, limpiadores abrasivos (limpiadores de cocinas), limpiadores que contengan productos cítricos, o almohadillas de limpieza abrasivas.

Bandeja corrediza recolectora de grasa — Retire el exceso de grasa, luego lávela con agua jabonosa tibia y finalmente enjuáguela.

⚠ **PRECAUCIÓN:** No forre la bandeja corrediza recolectora de grasa con papel aluminio.

Barras Flavorizer® y rejillas de cocción — Límpielas con un cepillo de cerdas de acero inoxidable adecuado. Según se requiera, retírela de la barbacoa y lávela con agua jabonosa tibia y luego enjuáguela con agua.

⚠ **PRECAUCIÓN:** Los cepillos para parrillas se deben revisar con regularidad para asegurarse de que no tengan cerdas sueltas ni excesivo desgaste. Reemplace el cepillo si se consiguen cerdas sueltas en las parrillas de cocción o en el cepillo en sí. Weber recomienda comprar un nuevo cepillo de acero inoxidable para parrillas al inicio de cada primavera.

⚠ **PRECAUCIÓN:** No limpie las barras Flavorizer® o las parrillas cocción en un horno autolimpiante.

Para averiguar donde comprar las parrillas de cocción y las barras Flavorizer® de reemplazo, contacte al Representante de Atención al Cliente en su área usando la información de contacto en nuestro sitio web. Conéctese a www.weber.com.

Plato recolector — Hay disponibles bandejas desechables de lámina de metal, o usted mismo puede forrar el plato recolector con papel aluminio. Para limpiar el plato recolector, lávelo con agua jabonosa tibia y luego enjuague.

Termómetro — Pásele un trapo con agua tibia jabonosa, y límpielo con una pelota plástica de fregar.

Caja de cocción — Quite cualquier resto de los tubos del quemador. NO AGRANDE LAS ABERTURAS DE LOS QUEMADORES. Lave la parte interior de la caja de cocción con agua jabonosa y luego enjuáguela con agua.

Tapa interna — Mientras la tapa esté tibia, limpie la parte interna con una toalla de papel para prevenir la acumulación de grasa. La grasa acumulada escamada se asemeja a las escamas de pintura.

Superficies de acero inoxidable — Lávelas con un paño suave y una solución de agua y jabón. Tenga cuidado de fregarlas en la dirección del grano del acero inoxidable.

No utilice limpiadores que contengan ácido, destilado de petróleo, o xileno. Enjuáguelas bien después de lavarlas.

Preserve su acero inoxidable — La barbacoa o su gabinete, tapa, panel de control y estantes pudieran estar hechos de acero inoxidable. Es sencillo mantener vistoso al acero inoxidable. Límpielo con agua y jabón, enjuáguelo con agua limpia, y séquelo con un trapo. Para partículas difíciles de sacar, se puede usar un cepillo no metálico.

⚠ **IMPORTANTE:** No utilice cepillos de alambre o limpiadores abrasivos sobre las superficies de acero inoxidable ya que las rayarán.

⚠ **IMPORTANTE:** Al limpiar las superficies asegúrese de frotar/restregar en la dirección del grano para preservar la vistosidad del acero inoxidable. ♦

MALLAS WEBER® CONTRA ARAÑAS E INSECTOS

La barbacoa de gas Weber®, al igual que cualquier otro aparato de gas al aire libre, es un blanco para las arañas y demás insectos. Pueden crear sus nidos en la sección del venturi (1) del tubo quemador. Esto bloquea el flujo normal de gas, y puede causar que el gas fluya hacia atrás por la válvula de aire de combustión. Esto puede resultar en un fuego en y alrededor de las aberturas para el aire de combustión, causando un daño serio a la barbacoa.

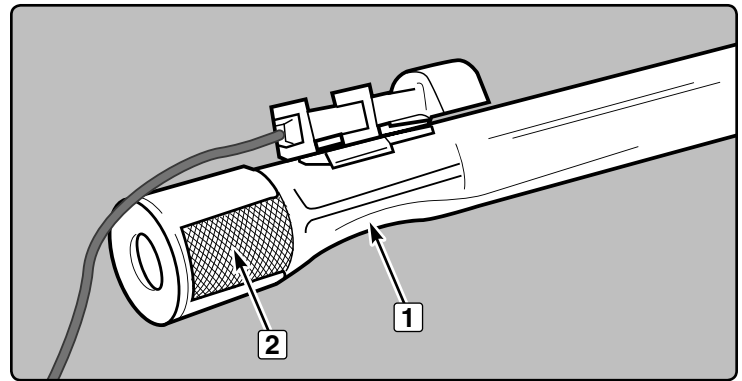
La compuerta de cierre del aire del tubo quemador está equipada con una malla (2) de acero inoxidable para prevenir la entrada de arañas e insectos a los tubos quemadores a través de las aberturas para el aire de combustión.

Le recomendamos que inspeccione las mallas contra arañas e insectos por lo menos una vez al año (vea "MANTENIMIENTO ANUAL"). También, inspeccione y limpie dichas mallas si cualquiera de los siguientes síntomas se presentase:

- A) Huele a gas conjuntamente con llamas del quemador con una apariencia amarilla y floja.
- B) La barbacoa no alcanza la temperatura de funcionamiento.
- C) La barbacoa se calienta de manera dispareja.
- D) Uno o más quemadores no se encienden.

⚠ PELIGRO

El no corregir estos síntomas pudiera resultar en un fuego que puede causar lesiones corporales serias o la muerte y daños a la propiedad. ♦



LIMPIEZA O REEMPLAZO DE LOS TUBOS QUEMADORES

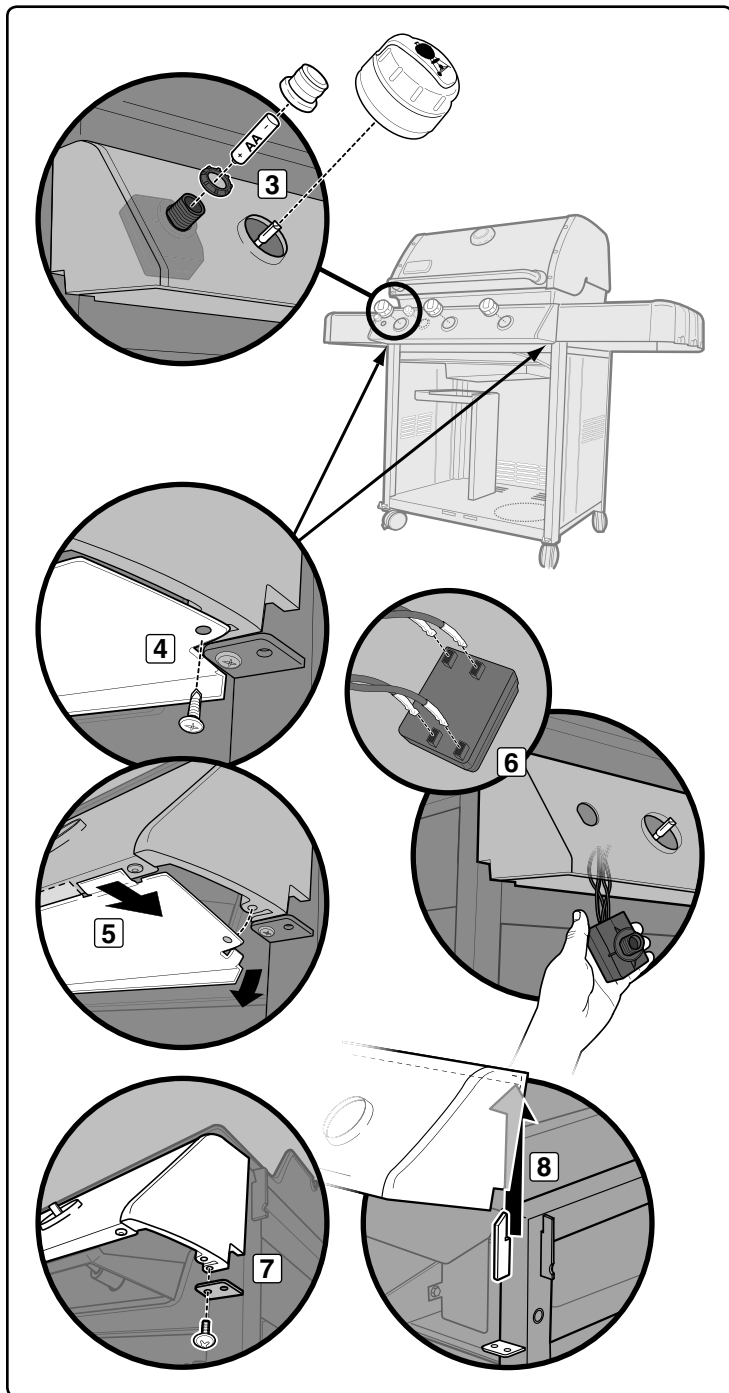
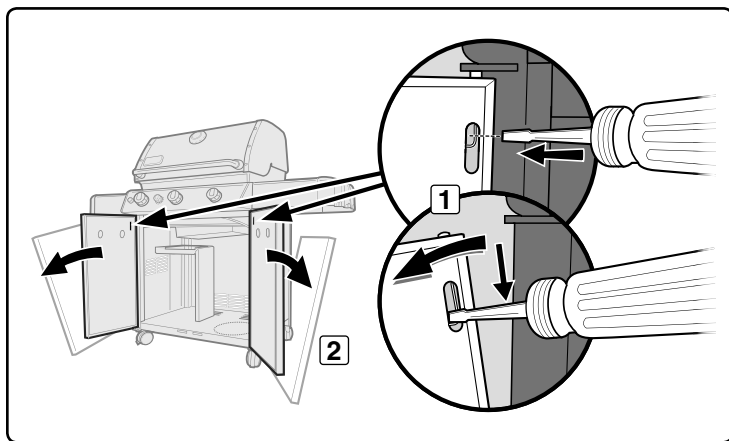
Necesitará: un destornillador Phillips, un destornillador de punta plana, y una llave de tuercas de 5/16".

- A) La barbacoa de gas Weber® debe estar APAGADA y fría.
- B) CIERRE el gas en la fuente.
- C) Retire los componentes de la caja de cocción: la rejilla de calentamiento, las parrillas y las barras Flavorizer®. (Las placas de distribución del calor no necesitan retirarse.)

Retiro del Panel de Control

Para retirar el panel de control:

- A) Ubique el pasador de desenganche en el ensamble de la puerta. Con un destornillador, presione el pasador de desenganche de la puerta (1) hasta lograr que la puerta se desprenda del ensamble del bastidor (2) y levante la puerta fuera del pasador de bisagra ajustable inferior.
- B) Retire las perillas de control, el botón de encendido, la tuerca de retención del encendedor y la batería (3).
- C) Con un destornillador Phillips, saque los tornillos del deflector (4) de viento ubicados debajo del panel de control.
- D) Incline el extremo del deflector de viento hacia abajo y deslícelo para sacarlo (5).
- E) Retire el módulo de ignición del panel de control (6) y saque todos los cuatro cables del módulo.
- F) Saque los tornillos de la parte de abajo del panel de control con un destornillador Phillips (7).
- G) Levante el panel de control ligeramente, incline el borde delantero hacia arriba y con cuidado levántelo y sáquelo (8).

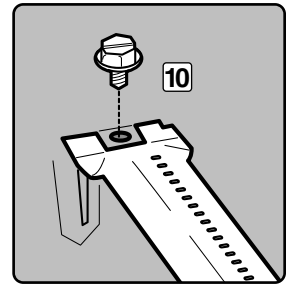
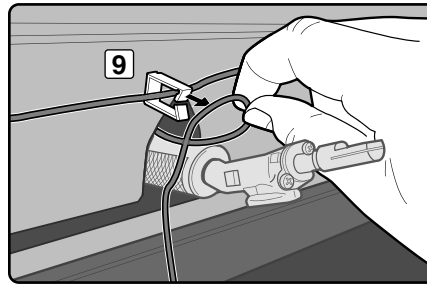


Retiro del Tubo Quemador

Para retirar el o los tubos quemadores:

- Saque el o los cables de encendido de los clips de encendido (9).
- Retire el tornillo que sujeta el tubo quemador a la caja de cocción utilizando una llave de tuercas de 5/16" (10).
- Hale el conjunto del tubo quemador (que incluye el encendedor) hacia arriba y fuera de la caja de cocción (11).

Nota: Las unidades 310 tendrán un cable adicional de conexión a tierra conectado al tubo quemador central (12).



Limpieza de los Tubos Quemadores

Para limpiar los tubos quemadores:

- Revise la parte interna del quemador con una linterna (13).
- Limpie la parte interna de los quemadores con un alambre (14) (un gancho de ropa enderezado funcionará bien).
- Revise y limpie la abertura de las compuertas de cierre del aire en los extremos de los quemadores. Revise y limpie los orificios de las válvulas en la base de las válvulas. Utilice un cepillo de cerdas de acero para limpiar la parte externa de los quemadores (15). Se hace esto para asegurarse de que las aberturas de los quemadores estén completamente abiertas.

⚠ PRECAUCIÓN: Al limpiar, no agrande las aberturas del quemador.

Reinstalación del Tubo Quemador

Para reinstalar los tubos quemadores:

- Deslice el tubo quemador y el cable del encendedor a través del orificio en la caja de cocción (16). Consulte las "OPERACIONES DE LOS SISTEMAS DE ENCENDIDO ELECTRÓNICO" para ver la posición correcta del quemador.
- Alinee el tubo quemador con la válvula.

⚠ PRECAUCIÓN: Las aberturas del quemador (17) deberán posicionarse correctamente sobre los orificios de la válvula (18).

- Con un destornillador de cabeza plana, vuelva a instalar el tornillo que fija el tubo quemador a la caja de cocción. El tubo quemador podría aparentar estar flojo (19) cuando el tornillo esté bien ajustado. Esto es normal.

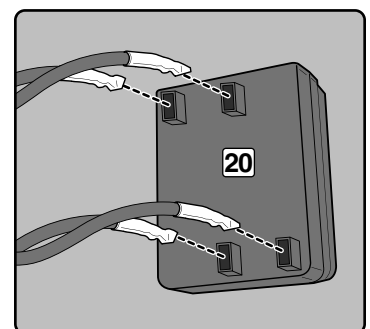
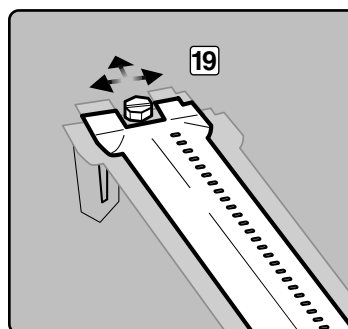
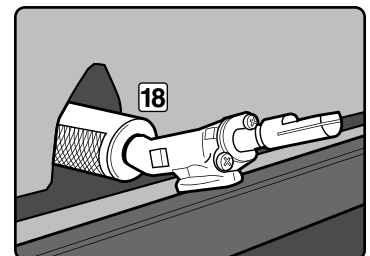
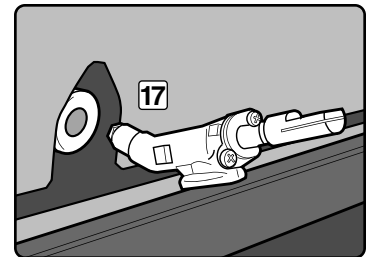
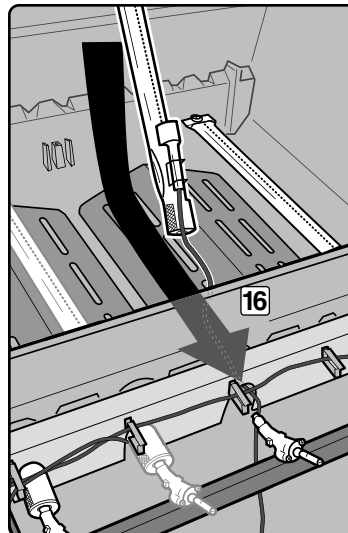
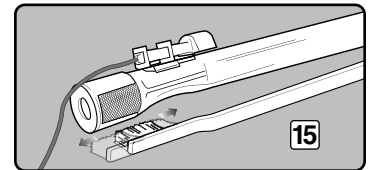
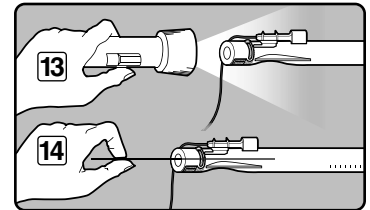
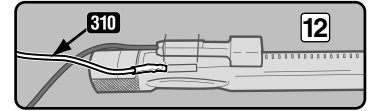
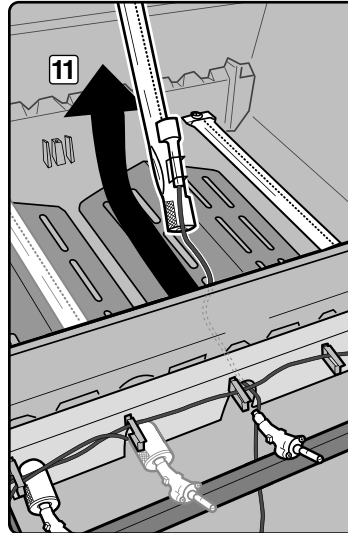
- Pase los cables de nuevo a través de los clips del encendedor. Consulte de nuevo la figura (9).

⚠ PRECAUCIÓN: Todos los cables deben estar correctamente pasados a través de los clips de los cables.

- Conecte los cables al módulo, de acuerdo a la codificación numérica o de colores (20). Para las conexiones correctas de los cables, consulte las "OPERACIONES DEL SISTEMA DE ENCENDIDO ELECTRÓNICO".

⚠ ADVERTENCIA: Después de reinstalar las líneas de gas, deberá verificarse que no tengas fugas usando una solución de agua y jabón antes de usar la barbacoa. (Vea el paso: "DETECCIÓN DE FUGAS DE GAS".)

⚠ ADVERTENCIA: Antes de poner a funcionar la barbacoa, asegúrese de que todas las partes estén ensambladas y que la tornillería esté totalmente apretada. Si no llegase a acatar esta advertencia respecto al producto, sus acciones podrían causar un fuego, una explosión o una falla estructural que pudieran resultar en lesiones personales graves o la muerte además de daños a la propiedad. ♦



MANTENIMIENTO

OPERACIONES DEL SISTEMA DE ENCENDIDO ELECTRÓNICO

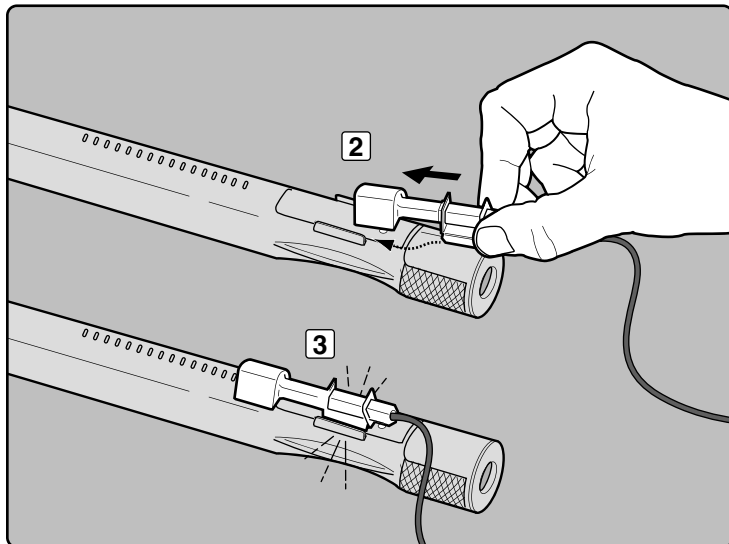
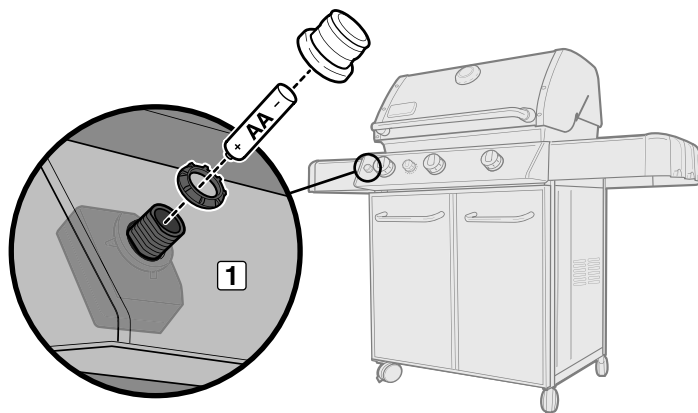
Si el sistema de encendido electrónico no llegase a encender, asegúrese de que esté fluyendo gas mediante el encendido de los quemadores con un cerillo. Consulte la sección "ENCENDIDO MANUAL DEL QUEMADOR PRINCIPAL" Si se logra encender con un cerillo, el problema está en el encendido electrónico.

⚠ ADVERTENCIA: Todos los controles de gas y válvulas de suministro deberán estar cerrados en la posición OFF.

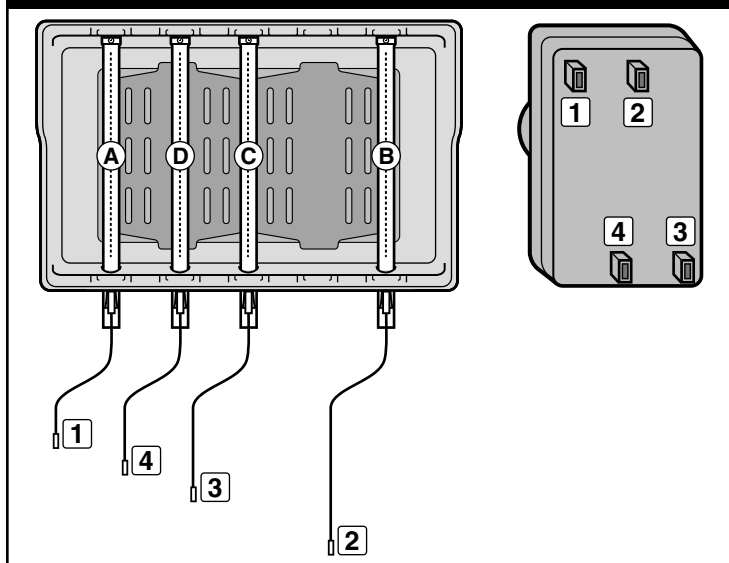
- Verifique que la batería AA (solamente alcalinas) esté en buenas condiciones y correctamente instalada (1). Algunas baterías tienen una envoltura práctica protectora alrededor de ellas. Este plástico debe sacarse. No confunda este plástico con la etiqueta de la batería.
- Asegúrese de que los cables de encendido estén conectados correctamente al módulo de encendido. Consulte la "GUÍA DE LOS CABLES DEL MÓDULO DE ENCENDIDO" a continuación.
- Asegúrese de que el conjunto del encendedor cerámico esté completamente colocado dentro del canal de encendido del tubo quemador (2). Si está correctamente colocado, oírás un chasquido (3).
- Asegúrese de que el botón de encendido electrónico esté funcionando escuchando y viendo si se generan chispas en el quemador.

Si el sistema de encendido electrónico aún no logra encender la barbacoa, póngase en contacto con el Representante de de Servicios al Cliente en su área utilizando la información de contacto en nuestro sitio web.

Conéctese a www.weber.com ♦



GUÍA DE CABLEADO DEL MÓDULO DE ENCENDIDO 330



Color de los extremos de los cables y de los terminales	Tubo quemador
Negro (1)	Quemador izquierdo (A)
Amarillo (2)	Quemador derecho (B)
Azul (3)	Quemador central (C)
Verde (4)	Quemador para dorar (D)

MANTENIMIENTO DEL QUEMADOR LATERAL

⚠ ADVERTENCIA: Todos los controles y válvulas de suministro de gas deberán estar cerrados en la posición **APAGADO**.

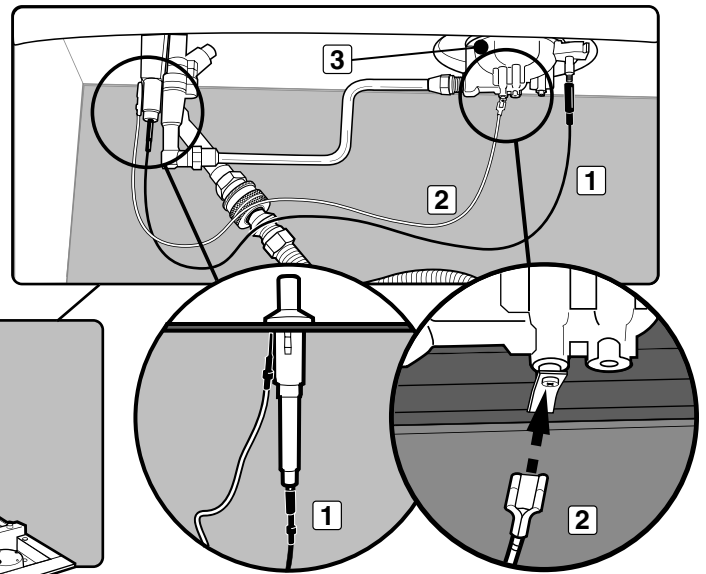
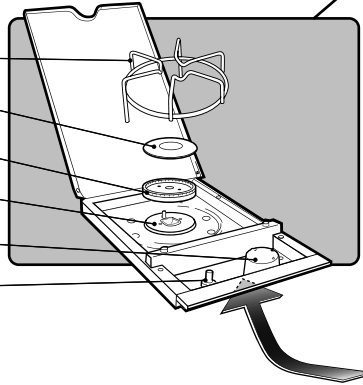
Asegúrese de que el cable negro esté conectado entre el encendedor y el electrodo.

Asegúrese de que el cable blanco esté conectado entre el encendedor y el clip de conexión a tierra.

La chispa deberá ser de color blanco/azul, no amarilla.

- A) Cable de encendido (1)
- B) Cable de conexión a tierra (2)
- C) Quemador (3) ♦

Parilla del quemador lateral
Tapa del quemador lateral
Aro y cabezal del quemador lateral
Electrodo de encendido
Perilla de control
Encendedor



MANTENIMIENTO ANUAL

Inspección y Limpieza de la Malla contra Arañas y Demás Insectos

Para inspeccionar la malla contra arañas y demás insectos, retire el panel de control. Si hubiese polvo o sucio sobre las mallas, retire los quemadores para limpiar las mallas.

Con un cepillo de cerdas suaves (p.ej.: un cepillo de dientes viejo), cepille suavemente las mallas contra arañas y demás insectos.

⚠ PRECAUCIÓN: No limpie las mallas contra arañas y demás insectos con herramientas duras o afiladas. No las desmonte ni agrande los orificios de las mismas.

Golpee ligeramente el quemador para sacar la basura y suciedad fuera del tubo quemador. Una vez limpios, vuelva a colocar las mallas y quemadores en su sitio.

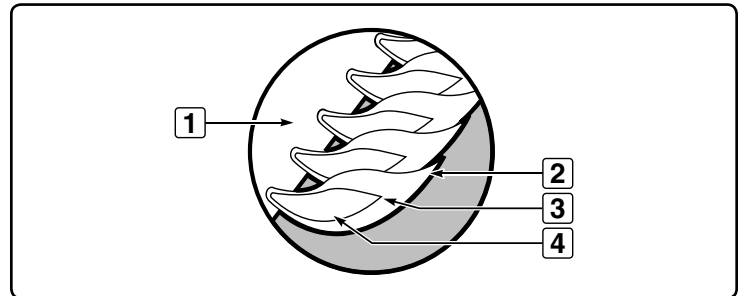
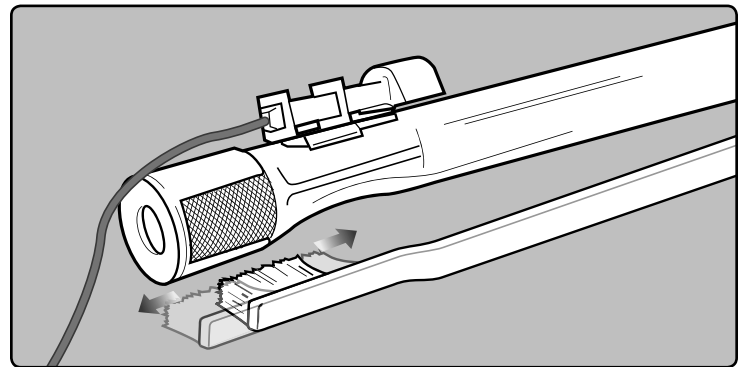
Si la malla contra arañas y demás insectos se dañase o no pudiese limpiarse, por favor póngase en contacto con el Representante de Servicios al Cliente de su zona, cuya datos de contacto encontrará en nuestro sitio en la Internet. Conéctese a www.weber.com.

Patrón de la Llama del Quemador

Los quemadores de la barbacoa de gas Weber® han sido ajustados en la fábrica para que les entre la mezcla correcta de aire y gas. El patrón de llama correcto se muestra en la ilustración y se describe a continuación:

- A) Tubo quemador (1)
- B) Las puntas ocasionalmente titilarán con un color amarillo (2)
- C) Azul claro (3)
- D) Azul oscuro (4)

Si las llamas no se presentan de manera uniforme a lo largo del tubo quemador, siga las instrucciones de limpieza del quemador. ♦



⚠ ATENCIÓN: A este producto se le han realizado pruebas de seguridad y ha sido certificado para usarse en un país específico. Refiérase al país indicado en la parte externa del cartón de empaque.

Estas partes pueden ser componentes que transporten gas o lo quemem. Por favor póngase en contacto con el Departamento de Atención al Cliente de Weber-Stephen Products LLC para obtener información sobre las partes de repuesto Weber-Stephen Products LLC genuinas.

⚠ ADVERTENCIA: No trate de realizar reparación alguna a los componentes que transporten o quemem gas sin antes ponerse en contacto con el Departamento de Atención al Cliente de Weber-Stephen Products LLC. Si no llegase a acatar esta advertencia, sus acciones podrían causar un fuego o una explosión que resulte en lesiones personales serias o la muerte o daños a la propiedad.



WEBER-STEPHEN PRODUCTS LLC
www.weber.com[®]

GENESIS®



GRILL A GAZ

Mode d'emploi du grill à gaz PL

330

#54406



VOUS DEVEZ LIRE CE MODE D'EMPLOI AVANT D'UTILISER VOTRE GRILL A GAZ.

⚠ DANGER

S'il y a une odeur de gaz :

1. Coupez l'admission de gaz de l'appareil.
2. Éteindre toute flamme nue.
3. Ouvrir le couvercle.
4. Si l'odeur persiste, éloignez-vous de l'appareil et appelez immédiatement le fournisseur de gaz ou le service d'incendie.

Une fuite de gaz risque de provoquer un incendie ou une explosion susceptible d'occasionner des blessures graves, voire mortelles, ou des dégâts matériels.

⚠ AVERTISSEMENT :

1. Ne pas entreposer ni utiliser de l'essence ni d'autres vapeurs ou liquides inflammables dans le voisinage de l'appareil, ni de tout autre appareil.
2. Une bouteille de propane qui n'est pas raccordée en vue de son utilisation, ne doit pas être entreposée dans le voisinage de cet appareil ou de tout autre appareil.

⚠ MISE EN GARDE : Suivez toutes les procédures de détection des fuites de ce manuel avec soin avant d'utiliser la barbecue. Faites-le même si la barbecue a été assemblée par le revendeur.

NOTE A L'INTENTION DE L'INSTALLATEUR : Les présentes instructions doivent être remises au propriétaire et le propriétaire devrait les conserver pour les utiliser plus tard.

CET APPAREIL A GAZ EST CONCU POUR UNE UTILISATION EN EXTERIEUR UNIQUEMENT.

⚠ MISE EN GARDE : N'allumez pas cet appareil sans lire d'abord les sections traitant de L'ALLUMAGE DU BRULEUR de ce manuel.



54406 LP
FC FRENCH CANADIAN

⚠ DANGER

Le non respect des consignes intitulées Danger, Mise en garde et Attention contenues dans le présent Mode d'emploi peut entraîner une blessure grave ou la mort, ou un incendie ou une explosion provoquant des dommages à la propriété.

⚠ MISES EN GARDE

- ⚠ Ne stockez pas de bouteille de gaz propane liquide de rechange ou de bouteille de gaz propane liquide débranchée au-dessous ou à proximité de ce barbecue.
- ⚠ Un mauvais montage peut se révéler dangereux. Veuillez suivre les instructions de montage avec soin.
- ⚠ Après une période de stockage et/ou d'inutilisation, le barbecue à gaz Weber® devrait faire l'objet d'une vérification visant à détecter toute fuite et toute obstruction des brûleurs avant toute utilisation. Voir les instructions de ce manuel pour les procédures correctes.
- ⚠ N'utilisez pas le barbecue à gaz Weber® en cas de fuite.
- ⚠ N'utilisez pas de flamme pour détecter les fuites de gaz.
- ⚠ Aucune matière inflammable ne devrait jamais se trouver dans un rayon de 24 pouces par rapport à l'arrière ou aux côtés de votre barbecue à gaz Weber®.
- ⚠ Ne placez pas de bâche de protection de barbecue ni aucune matière inflammable sur la barbecue ou dans la zone de stockage au-dessous du barbecue.
- ⚠ Votre barbecue à gaz Weber® ne devrait jamais être utilisé par des enfants. Les pièces accessibles du barbecue peuvent atteindre une température très élevée. Maintenez les jeunes enfants à l'écart pendant son utilisation.
- ⚠ Vous devriez faire preuve d'une prudence raisonnable lorsque vous utilisez votre barbecue à gaz Weber®. Celui-ci sera très chaud pendant la cuisson ou le nettoyage et ne devrait jamais être laissé sans surveillance ni déplacé pendant son utilisation.
- ⚠ Si les brûleurs s'éteignent pendant l'utilisation, fermez toutes les valves de gaz. Ouvrez le couvercle puis patientez cinq minutes avant d'essayer de rallumer les brûleurs, en utilisant les instructions pour l'allumage.
- ⚠ N'utilisez pas de charbon de bois ni de pierres de lave dans votre barbecue à gaz Weber®.
- ⚠ Ne vous penchez jamais au-dessus du grill ouvert ou ne placez jamais les mains ou les doigts sur l'extrémité avant du boîtier de cuisson.
- ⚠ Si un feu de graisse se produisait, fermez tous les brûleurs et laissez le couvercle fermé jusqu'à ce que le feu s'éteigne.
- ⚠ N'élargissez pas les orifices des valves ou les ports des brûleurs lorsque vous nettoyez les valves ou les brûleurs.
- ⚠ Le barbecue à gaz Weber® devrait être nettoyé méticuleusement de façon régulière.
- ⚠ Le gaz propane liquide n'est pas du gaz naturel. La conversion ou la tentative d'utilisation de gaz naturel dans un appareil à propane liquide ou de gaz propane liquide dans un appareil à gaz naturel est dangereuse et annulera votre garantie.

- ⚠ Ne tentez pas de déconnecter un raccord de gaz pendant que votre barbecue est en fonctionnement.
- ⚠ Utilisez des gants pour barbecue résistants à la chaleur lorsque vous utilisez le barbecue.
- ⚠ Maintenez tout cordon électrique d'alimentation ainsi que le tuyau d'alimentation en combustible à l'écart de toute surface chauffée.
- ⚠ Les dérivés de combustion générés lors de l'utilisation de ce produit contiennent des agents chimiques reconnus par l'Etat de Californie comme provoquant des cancers, des anomalies congénitales ou d'autres troubles de la reproduction.
- ⚠ N'utilisez ce barbecue que si toutes les pièces sont en place. Cet appareil doit être correctement assemblé conformément aux instructions de montage.
- ⚠ N'intégrez pas ce modèle de grill à n'importe quelle construction encastrée ou à glissière. Le non respect de cet Avertissement risque de provoquer un incendie ou une explosion susceptible de provoquer des dégâts matériels ainsi que des blessures graves voire un décès.
- ⚠ Proposition 65 Mise en garde : La manipulation du matériau en cuivre contenu dans ce produit vous expose au plomb, agent chimique reconnu par l'état de Californie comme étant à l'origine de cancers, d'anomalies congénitales ou d'autres troubles de la reproduction.
(Lavez-vous les mains après avoir manipulé ce produit.) ♦

APPAREILS A GAZ PROPANE UNIQUEMENT:

- ⚠ Utilisez l'ensemble régulateur de pression et tuyau fourni avec votre barbecue à gaz Weber®.
- ⚠ Ne tentez pas de déconnecter l'ensemble régulateur et tuyau de gaz ni tout autre raccord de gaz pendant que vous utilisez votre barbecue.
- ⚠ L'utilisation d'une bouteille de gaz propane liquide comportant une bosse ou d'une bouteille rouillée peut être dangereuse et une telle bouteille devrait être vérifiée par votre fournisseur de propane. N'utilisez pas une bouteille de propane liquide dont la valve est détériorée.
- ⚠ Bien que votre bouteille de propane liquide puisse sembler vide, il est possible qu'elle contienne encore du gaz, et la bouteille devrait être transportée et stockée en conséquence.
- ⚠ Si vous voyez, sentez ou entendez du gaz s'échapper de la bouteille de propane liquide:
 1. Eloignez-vous de la bouteille de propane liquide.
 2. Ne tentez pas de corriger le problème vous-même.
 3. Appelez votre service incendie. ♦

TABLE DES MATIERES

VUE ECLATEE.....	4	DEPANNAGE	68
LISTE DE LA VUE ECLATEE	5	DEPANNAGE DU BRULEUR LATERAL.....	68
MISES EN GARDE	52	MAINTENANCE	69
TABLE DES MATIERES	53	NETTOYAGE	69
GARANTIE	54	GRILLES ANTI-ARAIGNEES/INSECTES WEBER®	69
GENERALITES	55	NETTOYAGE OU REMPLACEMENT DES TUBES DU BRULEUR.....	70
INSTALLATION AU CANADA.....	55	UTILISATION DU SYSTEME D'ALLUMAGE ELECTRONIQUE.....	72
UTILISATION	55	MAINTENANCE DU BRULEUR LATERAL	73
STOCKAGE ET/OU INUTILISATION.....	55	MAINTENANCE ANNUELLE.....	73
INSTRUCTIONS RELATIVES AU GAZ	56		
ASTUCES POUR UNE MANIPULATION SANS DANGER DES BOUTEILLES DE GAZ PROPANE LIQUIDE.....	56		
INFORMATIONS IMPORTANTES RELATIVES A LA BOUTEILLE DE PL.....	57		
PREPARATION DE LA DETECTION DES FUITES.....	57		
DETECTION DES FUITES DE GAZ	59		
RECHARGEMENT DE LA BOUTEILLE DE PROPANE LIQUIDE.....	60		
AVANT D'UTILISER LE GRILL.....	61		
NIVEAU DE COMBUSTIBLE.....	61		
PLATEAU DE RECUPERATION DES GRAISSES AMOVIBLE ET EGOUTTOIR JETABLE.....	61		
INSPECTION DE L'ALLUMEUR ELECTRONIQUE	61		
INSPECTION DU TUYAU.....	61		
ALLUMAGE & UTILISATION DU BRULEUR PRINCIPAL.....	62		
ALLUMAGE DU BRULEUR PRINCIPAL	62		
POUR ETEINDRE	62		
ALLUMAGE MANUEL DU BRULEUR PRINCIPAL	63		
POUR ETEINDRE	63		
ALLUMAGE & UTILISATION DU GRILL SEAR STATION®.....	64		
ALLUMAGE DU BRULEUR DE LA SEAR STATION®	64		
ALLUMAGE MANUEL DU BRULEUR DE LA SEAR STATION®	64		
QUE SIGNIFIE SAISIR LA VIANDE ?	64		
UTILISATION DU BRULEUR DE LA SEAR STATION®	64		
CONSEILS & ASTUCES POUR LA GRILLADE	65		
PRÉCHAUFFAGE	65		
CUISSON COUVERTE	65		
ECOULEMENTS DE JUS ET DE GRAISSES	65		
SYSTÈME FLAVORIZER®	65		
ALLUMAGE & UTILISATION DU BRULEUR LATERAL.....	66		
ALLUMAGE DU BRULEUR LATERAL.....	66		
POUR ETEINDRE	66		
ALLUMAGE MANUEL DU BRULEUR LATERAL.....	67		
POUR ETEINDRE	67		

GARANTIE

Weber-Stephen Products LLC (Weber) garantit par le présent document à l'ACHETEUR D'ORIGINE de ce grill à gaz Weber® que celui-ci ne comportera aucun défaut de pièce ni de main d'oeuvre à compter de la date d'achat comme suit :

Fonte d'aluminium:	25 ans (2 ans pour l'ameublissement à l'exception de toute décoloration)
Structure en acier inoxydable:	25 ans
Structure émaillée:	25 ans
Tubes du brûleur en acier inoxydable:	10 ans
Grilles de cuisson en acier inoxydable:	5 ans sans trou provoqué par la rouille ou par une brûlure
Barres Flavorizer® en acier inoxydable:	5 ans sans trou provoqué par la rouille ou par une brûlure
Grilles de cuisson en fonte fer émaillée:	5 ans sans trou provoqué par la rouille ou par une brûlure
Grilles de cuisson émaillées:	3 ans sans trou provoqué par la rouille ou par une brûlure
Barres Flavorizer® émaillées:	2 ans sans trou provoqué par la rouille ou par une brûlure
Brûleur de la rôtissoire à infrarouge:	2 ans
Toutes les autres pièces:	2 ans

à condition qu'il ait été assemblé et utilisé conformément aux instructions imprimées qui l'accompagnent. Weber peut exiger une preuve raisonnable de votre date d'achat. VOUS DEVRIEZ DONC CONSERVER VOTRE TICKET DE CAISSE OU VOTRE FACTURE.

La présente Garantie limitée est limitée à la réparation ou au remplacement des pièces qui s'avèrent défectueuses dans le cadre d'une utilisation normale et d'un entretien normal et dont l'examen indique, à la satisfaction de Weber, qu'elles sont défectueuses. Avant de retourner toute pièce, veuillez entrer en contact avec le Représentant du Service clientèle le plus proche grâce aux coordonnées à votre disposition sur notre site Internet. Si Weber confirme le défaut et approuve la demande, Weber choisira de remplacer ces pièces sans frais. S'il vous est demandé de retourner les pièces défectueuses, les frais de transport devront être prépayés. Weber retournera les pièces à l'acheteur, franco de port.

La présente Garantie limitée ne couvre pas toute défaillance ou difficulté d'utilisation provoquée par un accident, une utilisation abusive, une mauvaise utilisation, une altération, une mauvaise application, un acte de vandalisme, une installation incorrecte ou une maintenance ou un entretien incorrects, ou le défaut d'entretien normal et régulier, y compris mais pas seulement les dommages provoqués par des insectes à l'intérieur des tubes du brûleur, tel que décrit dans le présent mode d'emploi.

Toute détérioration ou tout dommage résultant de conditions météorologiques graves comme de la grêle, des ouragans, des séismes ou des tornades, toute décoloration résultant d'une exposition à des agents chimiques directement ou dans l'atmosphère, n'est pas couverte dans le cadre de la présente Garantie limitée.

Il n'existe aucune autre garantie expresse à part ce qui est mentionné dans le présent document et toute garantie induite de commerciabilité ou d'adaptation à un usage est limitée en durée à la période couverte par la présente Garantie limitée écrite expresse. Certaines régions n'autorisent pas la limitation de durée d'une garantie induite, il est donc possible que cette limitation ne s'applique pas dans votre cas.

Weber ne peut être tenu pour responsable de tout dommage particulier, induit ou se produisant par voie de conséquence. Certaines régions n'autorisent pas l'exclusion ou la limitation des dommages indirects ou se produisant par voie de conséquence ; il est donc possible que cette limitation ou exclusion ne s'applique pas à vous.

Weber n'autorise aucune personne ou société à présumer en son nom de toute autre obligation ou responsabilité en relation avec la vente, l'installation, l'utilisation, le retrait, le retour ou le remplacement de ses équipements ; et aucune de ces représentations ne lie Weber.

La présente Garantie s'applique uniquement aux produits vendus au détail.

WEBER-STEPHEN PRODUCTS LLC
Product Registration
P.O. Box 40530
Burlington, ON L7P 4W1

Pour des pièces de rechange, appelez le :
1-800-265-2150
www.weber.com

Connectez-vous sur www.weber.com, sélectionnez votre pays d'origine, et enregistrez votre grill aujourd'hui. ♦

Votre barbecue à gaz Weber® est un appareil de cuisson d'extérieur portatif. Avec ce barbecue à gaz Weber® vous pouvez griller, cuire au barbecue, rôtir et cuire avec des résultats difficilement reproductibles en utilisant des appareils de cuisine d'intérieur. Le couvercle fermé et les Barres Flavorizer® donnent aux aliments une "saveur d'extérieur" particulière.

Ce barbecue à gaz Weber® est portatif de sorte que vous puissiez facilement changer son emplacement dans votre cour ou dans votre patio. La transportabilité signifie que vous pouvez emmener votre barbecue à gaz Weber® avec vous lors de vos déplacements.

L'arrivée de gaz Propane liquide (PL) est facile à utiliser et vous donne davantage de contrôle sur la cuisson que si vous utilisiez du charbon de bois.

- Les présentes instructions vous fourniront les exigences minimales pour le montage de votre barbecue à gaz Weber®. Veuillez lire les consignes avec attention avant d'utiliser votre barbecue à gaz Weber®. Un montage incorrect peut se révéler dangereux.
- Ne convient pas à une utilisation par des enfants.
- S'il existe des codes régionaux s'appliquant aux grills à gaz portatifs, vous devrez les respecter. L'installation doit être conforme aux codes régionaux ou, en l'absence de tels codes, avec le Code national relatif aux gaz combustibles, ANSI Z223.1/NFPA 54, le Code relatif aux installations de gaz naturel et de gaz propane, CSA B149.1, ou le Code relatif au stockage et à la manipulation du propane, B149.2, ou à la Norme relative aux véhicules de loisirs, ANSI A 119.2/NFPA 1192, et les Séries CSA Z240 RV, Code relatif aux véhicules de loisirs, le cas échéant.
- Vous devez utiliser le régulateur de pression fourni avec le barbecue à gaz Weber®. Ce régulateur est paramétré pour une colonne d'eau de 11 pouces (pression).
- Ce barbecue à gaz Weber® est conçu pour une utilisation avec du gaz propane liquide (PL) uniquement. Ne l'utilisez pas avec du gaz naturel (gaz de ville). Les valves, les orifices, le tuyau et le régulateur sont adaptés au gaz PL uniquement.
- N'utilisez pas ce barbecue avec du charbon de bois.
- Vérifiez que la zone située au-dessous du panneau de commande et que le bac de récupération des graisses amovible ne comportent aucun débris susceptible de faire obstacle à la circulation de l'air nécessaire à la combustion ou à la ventilation.
- Les zones à proximité de la bouteille de PL doivent être dégagées et ne doivent comporter aucun débris.
- Les régulateurs de pression et les ensembles de tuyaux de rechange doivent être ceux spécifiés par Weber-Stephen Products LLC. ♦

INSTALLATION AU CANADA

Les présentes instructions, bien que généralement acceptables, ne sont pas nécessairement conformes aux Codes d'installation du Canada, en particulier en ce qui concerne les canalisations au-dessus du sol et les canalisations souterraines. Au Canada, l'installation de cet appareil doit être conforme aux codes régionaux et/ou à la Norme CAN/CSA-B149.2 (Code relatif au stockage et à la manipulation de propane). ♦

UTILISATION

- ⚠ **MISE EN GARDE : Utilisez ce barbecue uniquement en extérieur dans une zone bien ventilée. Ne l'utilisez pas dans un garage, un bâtiment, un passage couvert ou toute autre zone confinée.**
- ⚠ **MISE EN GARDE : Maintenez les ouvertures de ventilation de l'enclos de la bouteille de gaz dégagées et libre de tout débris.**
- ⚠ **MISE EN GARDE : Vous ne devez pas utiliser votre barbecue à gaz Weber® au-dessous d'une structure inflammable.**
- ⚠ **MISE EN GARDE : Votre barbecue à gaz Weber® n'est pas conçu pour être installé à l'intérieur ou au-dessus de véhicules de loisirs et/ou de bateaux.**
- ⚠ **MISE EN GARDE : N'utilisez pas le barbecue dans un rayon de 24 pouces de toute matière inflammable.**
- ⚠ **MISE EN GARDE : La totalité du boîtier de cuisson atteint une température élevée pendant la cuisson. Ne laissez pas le grill sans surveillance.**
- ⚠ **MISE EN GARDE : Maintenez tout cordon d'alimentation électrique ainsi que le tuyau d'alimentation en combustible à l'écart de toute surface chauffée.**
- ⚠ **MISE EN GARDE : Maintenez la zone de cuisson dégagée de toute vapeur ou de tout liquide inflammable comme de l'essence, de l'alcool, etc., et de toute matière inflammable.**
- ⚠ **MISE EN GARDE : Ne stockez jamais une bouteille de PL supplémentaire (de rechange) au-dessous ou à proximité du barbecue à gaz Weber®.**

⚠ **MISE EN GARDE : La bouteille de PL utilisée avec votre barbecue doit être équipée d'un dispositif de prévention du surremplissage homologué OPD (Overfilling Prevention Device) et d'un raccord QCC1 ou de Type 1 (CGA810). Le raccord de la bouteille de gaz doit être compatible avec le raccord du barbecue. ♦**

STOCKAGE ET/OU INUTILISATION

- Le gaz doit être fermé au niveau de la bouteille de propane liquide lorsque vous n'utilisez pas le barbecue à gaz Weber®.
- Lorsque le barbecue à gaz Weber® est stocké en extérieur, l'arrivée de gaz doit être DECONNECTEE et la bouteille de gaz PL stockée en extérieur dans une zone bien ventilée.
- La bouteille de PL doit être stockée en extérieur dans une zone bien ventilée hors de portée des enfants. La bouteille de PL débranchée ne doit pas être stockée dans un bâtiment, dans un garage ni dans toute autre zone confinée.
- Lorsque la bouteille de PL n'est pas débranchée du barbecue à gaz Weber®, l'appareil et la bouteille de PL doivent être stockés en extérieur dans un espace bien ventilé.
- Le barbecue à gaz Weber® devrait faire l'objet d'une inspection visant à détecter toute fuite ainsi que tout obstacle présent dans les tubes du brûleur avant toute utilisation (Voir "MAINTENANCE/MAINTENANCE ANNUELLE").
- Vérifiez que les zones situées sous le panneau de commande et le plateau inférieur amovible ne comportent pas de résidus susceptibles de faire obstacle à la circulation de l'air de combustion ou de ventilation.
- Les Grilles anti araignées/insectes devraient aussi faire l'objet d'un contrôle afin de détecter toute obstruction (Voir "MAINTENANCE/MAINTENANCE ANNUELLE"). ♦

INSTRUCTIONS RELATIVES AU GAZ

ASTUCES POUR UNE MANIPULATION SANS DANGER DES BOUTEILLES DE GAZ PROPANE LIQUIDE

- Le gaz propane liquide (PL) est un produit dérivé du pétrole comme le sont l'essence et le gaz naturel. Le gaz PL est gazeux à des températures et à des pressions ordinaires. Soumis à une pression modérée, à l'intérieur d'une bouteille de gaz, le gaz PL est liquide. Au fur et à mesure que la pression diminue, le liquide vaporise rapidement et devient gazeux.
- L'odeur du gaz PL ressemble à celle du gaz naturel. Vous devriez avoir conscience de cette odeur.
- Le gaz PL est plus lourd que l'air. Du gaz PL s'échappant d'une fuite peut s'accumuler dans des espaces proches du sol, ce qui empêcherait sa dispersion.
- Pour remplir la bouteille de PL, emmenez-la chez un revendeur de gaz propane, ou cherchez à "gaz propane" dans l'annuaire pour d'autres source de gaz PL.

⚠ MISE EN GARDE : Nous vous recommandons de faire remplir votre bouteille de PL auprès d'un revendeur de gaz PL agréé, par du personnel qualifié, qui remplit la bouteille au poids. UN REMPLISSAGE INCORRECT EST DANGEREUX.

- L'air doit être extrait d'une bouteille de PL neuve avant que celle-ci soit remplie pour la première fois. Votre revendeur de PL est équipé pour effectuer cette opération.
- La bouteille de PL doit être installée, transportée, et stockée en position verticale. Les bouteilles de PL ne devraient pas être lâchées ou manipulées brutalement.
- Ne stockez ou ne transportez jamais la bouteille de PL dans des endroits où la température peut atteindre 125° F (trop chaud pour tenir à la main). Par exemple : ne laissez pas la bouteille de PL à l'intérieur d'une voiture par une journée chaude.

Remarque : Une recharge va durer environ 18–20 heures de temps de cuisson dans des conditions d'utilisation normales. Le niveau de combustible, fonctionnalité disponible sur certains de nos grills, indiquera le niveau de propane de sorte que vous puissiez recharger la bouteille avant de manquer de combustible. La bouteille n'a pas besoin d'être vide pour être rechargée.

- Manipulez les bouteilles de PL "vides" avec le même soin que lorsqu'elles sont pleines. Même lorsque la bouteille de PL ne contient plus de liquide, il peut toujours y avoir du gaz sous pression à l'intérieur. Fermez toujours la valve de la bouteille avant de la déconnecter.

⚠ ATTENTION : Placez le cache anti-poussière sur la sortie de la valve de la bouteille de gaz chaque fois que celle-ci est inutilisée. N'installez que le type de cache anti-poussière fourni avec la valve de la bouteille de gaz. L'utilisation d'autres types de caches ou de bouchons pourrait entraîner une fuite de propane.

- N'utilisez pas de bouteille de PL détériorée. Une bouteille de PL comportant un renforcement ou rouillée ou une bouteille de PL dont la valve est détériorée peut être dangereuse et devrait immédiatement être remplacée par une bouteille neuve.
- Le raccord où le tuyau est relié à la bouteille de gaz PL doit faire l'objet d'un contrôle de détection des fuites à chaque fois que la bouteille de PL est rebranchée. Par exemple, détectez les fuites à chaque fois que le bouteille de PL est rechargée.
- Assurez-vous que le régulateur est monté avec le petit trou d'aération orienté vers le bas de sorte qu'il ne reçoive pas d'eau. Cette aération devrait être dégagée des impuretés, de la graisse, des insectes, etc.
- Les raccords de gaz fournis avec votre barbecue à gaz Weber® ont été conçus et testés pour être conformés à 100% des exigences du CSA et de l'ANSI.

⚠ MISE EN GARDE : Les bouteilles de PL de recharge doivent s'adapter au raccord du régulateur fourni avec ce barbecue.

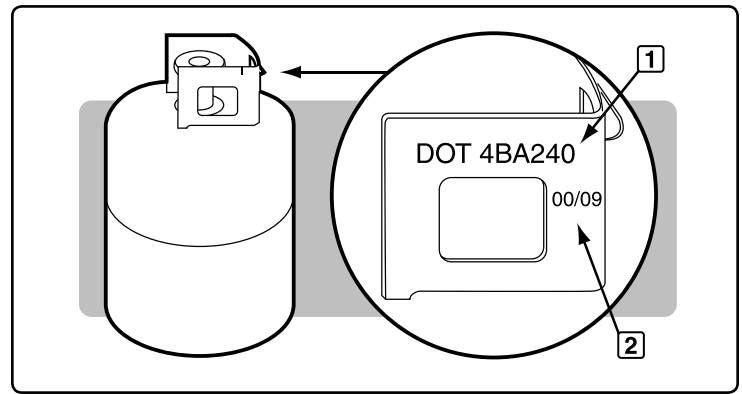
Exigences Relatives à la Bouteille de Propane Liquide

- Assurez-vous que les bouteilles de gaz sont certifiées D.O.T. (1), et que leur date vérifié (2) est dans les cinq ans. Votre fournisseur de gaz PL peut faire cela pour vous.
- Tous les dispositifs de rechargement de bouteilles de PL doivent inclure une collerette pour protéger la valve de la bouteille de gaz.
- La bouteille de PL doit avoir une taille de 20 lb. environ (18¼ pouces de haut et 12¼ pouces de diamètre).
- La bonbonne doit être fabriquée et marquée conformément aux Spécifications s'appliquant aux bonbonnes de gaz – propane liquide du ministère américain des Transports (D.O.T.) ou à la norme nationale du Canada, CAN/CSA-B339, sur les bonbonnes, sphères et tuyaux ou sur le transport des marchandises dangereuses; et commission, si applicable.

Exigences Canadiennes en Ce Qui Concerne les Bouteilles de Propane Liquide

Remarque : Votre détaillant peut vous aider à trouver une bouteille de gaz de recharge adaptée à votre barbecue.

- La bouteille de PL doit être fabriquée et marquée conformément aux spécifications relatives aux bouteilles de gaz PL, T.C. ♦



INSTRUCTIONS RELATIVES AU GAZ

INFORMATIONS IMPORTANTES RELATIVES A LA BOUTEILLE DE PL

⚠ DANGER

Ne stockez JAMAIS une bouteille de PL de recharge au-dessous ou à proximité de ce barbecue. Ne remplissez JAMAIS la bouteille à plus de 80%. Le non respect strict des consignes de sécurité intitulées DANGER pourrait entraîner un incendie provoquant la mort ou une blessure grave.

Votre grill à gaz Weber® est équipé pour être raccordé à un dispositif d'alimentation de bouteille de gaz conçu pour éliminer les émanations.

⚠ MISE EN GARDE : N'utilisez ce grill qu'en extérieur dans une zone bien ventilée. Ne l'utilisez pas dans un garage, dans un passage couvert ni dans toute autre zone confinée.

Les méthodes de remplissage correctes pour le rechargement de votre bouteille de gaz sont le remplissage au poids ou au volume, tel que décrit par la norme NFPA 58. Veuillez vous assurer que votre station de remplissage remplit votre bouteille de PL au poids ou au volume. Demandez au personnel de votre station de remplissage de lire les consignes de purge et de remplissage figurant sur la bouteille de PL avant de tenter de la remplir. ♦

PREPARATION DE LA DETECTION DES FUITES

Vérifiez que Toutes les Valves des Brûleurs Sont Fermées

Les valves sont expédiées en position fermée (ARRÊTÉ), mais vous devriez les vérifier pour vous assurer qu'elles sont fermées. Vérifiez en les enfonçant et en les tournant dans le sens des aiguilles d'une montre. Si elles ne tournent pas, elles sont fermées. Si elles tournent, continuez à les tourner jusqu'à ce qu'elles ne tournent plus; elles sont maintenant fermées.

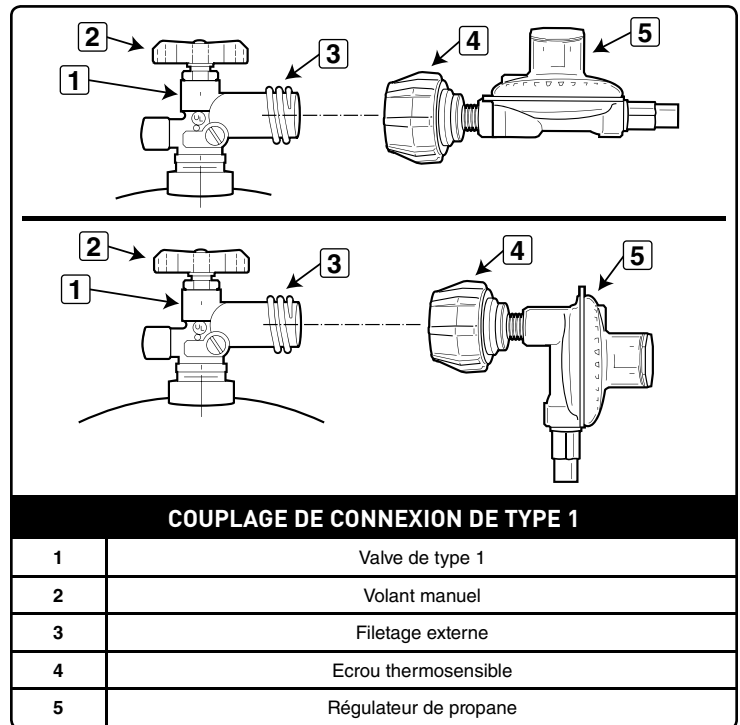
Utilisez la Pince de Rétenion du Tuyau de la Bouteille de Propane Liquide

La totalité des régulateurs de grills à gaz Weber® est équipée d'une connexion de bouteille homologuée UL conformément à la dernière édition de l'ANSI Z21.58. Ceci va nécessiter une bouteille de propane liquide qui est équipée de la même manière avec une connexion de Type 1 dans la valve de la bouteille de gaz. Ce couplage de Type 1 vous permet de réaliser un accrochage rapide et sans aucun danger entre votre grill à gaz et votre bouteille de propane liquide. Cela élimine le risque de fuite due à une raccord POL qui n'est pas correctement serré. Le gaz ne va pas sortir de la bouteille tant que le couplage de Type 1 ne sera pas complètement engagé à l'intérieur du couplage.

⚠ MISE EN GARDE : Assurez-vous que la valve de la bouteille de PL est fermée. Fermez-la en tournant la valve dans le sens des aiguilles d'une montre.

⚠ DANGER

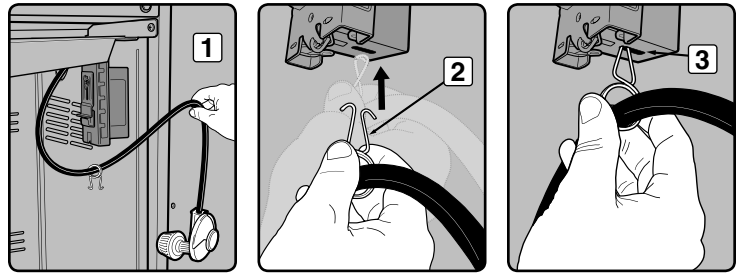
N'utilisez pas de flamme nue pour détecter les fuites de gaz. Assurez-vous qu'il n'y a aucune étincelle ou flamme nue dans la zone lorsque vous détectez les fuites. Des étincelles ou des flammes vont provoquer un incendie ou une explosion qui peuvent entraîner une blessure grave voire un décès ainsi que des dégâts matériels.



INSTRUCTIONS RELATIVES AU GAZ

- A) Ouvrez les portes du meuble qui sert de base. Avancez le régulateur et le tuyau et sortez-les du meuble (1).
- B) Localisez la pince de rétention du tuyau (2) sur le tuyau du régulateur. Fixez-la bien dans la fente (3) au-dessous de la graduation de la bouteille.

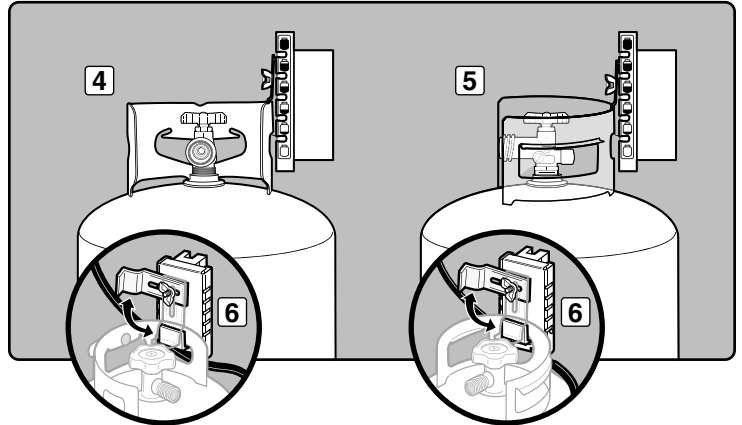
⚠ MISE EN GARDE : Le tuyau doit être bien fixé sur la bouteille de gaz à l'aide de la Pince de rétention du tuyau. Le non respect de cette consigne risquerait de détériorer le tuyau avec pour conséquence un incendie ou une explosion susceptible de provoquer des blessures graves voire un décès ainsi que des dégâts matériels.



Certaines bouteilles de PL ont des assemblages de colliers supérieurs différents. (Le collier supérieur est la bague de protection métallique autour de la valve.) Une série de bouteilles est montée avec la valve orientée vers l'avant (4). Les autres bouteilles se montent avec la valve orientée à l'opposé de la graduation de niveau de carburant (5). Weber recommande l'utilisation du fabricant de bouteilles Manchester and Worthington, avec une capacité en eau de 47,6 lbs. D'autres bouteilles peuvent être acceptables pour une utilisation avec l'appareil à condition d'être compatibles avec les moyens de rétention de l'appareil (voir les illustrations).

La bouteille de PL est installée à l'intérieur du meuble qui sert de base, sur le support de la bouteille (côté droit).

- C) Desserrez l'écrou à ailettes de verrouillage de la bouteille. Faites pivoter le verrouillage de la bouteille (6).
- D) Tournez la bouteille de PL de sorte que l'ouverture de la valve se trouve soit à l'avant soit sur le côté du barbecue à gaz Weber®.
- E) Soulevez la bouteille pour la mettre en position sur le support de la bouteille (7).
- F) Abaissez le verrou de la bouteille. Serrez l'écrou à ailettes.

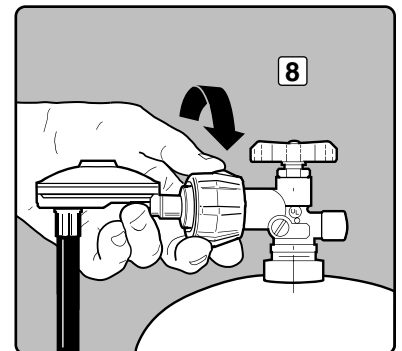


Connectez le Tuyau à la Bouteille

- A) Retirez la protection anti-poussière en plastique de la valve.
- B) Vissez le couplage du régulateur sur la valve de la bouteille, dans le sens des aiguilles d'une montre, ou vers la droite (8). Serrez à la main uniquement.

Remarque : Cette connexion se serre dans le sens des aiguilles d'une montre et elle ne permet pas au gaz de circuler tant que le raccord n'est pas serré. Cette connexion nécessite un serrage à la main uniquement.

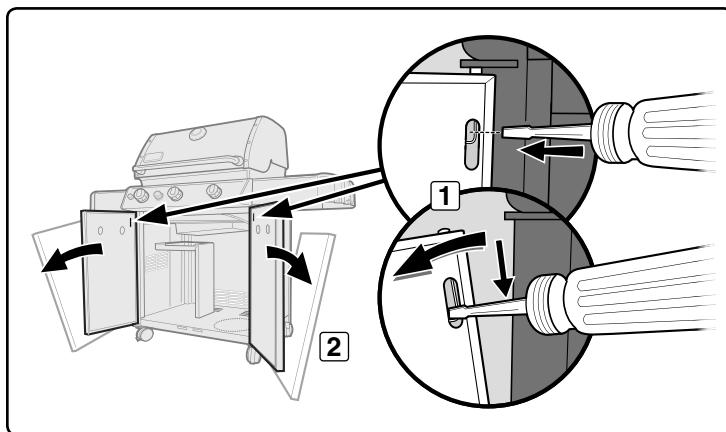
⚠ MISE EN GARDE : N'utilisez pas de clé pour serrer le raccord. L'utilisation d'une clé risquerait de détériorer le couplage du régulateur et risquerait de provoquer une fuite.



Retirez les Boutons de Commande & le Panneau de Commande pour Détecter les Fuites

Il vous faudra : des tournevis cruciforme & à tête plate.

- Localisez le dégagement de l'épingle de la porte dans l'assemblage de la porte. A l'aide d'un tournevis, enfoncez le dégagement de l'épingle de la porte (1) jusqu'à ce que la porte se détache de l'assemblage du cadre. Retirez la partie supérieure de la porte de l'ensemble du cadre (2) et soulevez la porte pour la retirer de l'épingle d'hubrisse ajustable inférieure.
- Retirez les boutons de commande, le bouton de l'allumeur, l'écrou de rétention, et la pile (3).
- Retirez les vis du déflecteur de vent à l'aide d'un tournevis cruciforme (4).
- Inclinez l'extrémité du déflecteur de vent vers le bas et faites glisser le déflecteur de vent vers l'extérieur pour le retirer (5).
- Laissez le module d'allumage pendre depuis les fils. Ne le débranchez pas (6).
- Retirez les vis du dessous du panneau de commandes à l'aide d'un tournevis cruciforme (7).
- Soulevez légèrement le panneau de commandes, inclinez l'extrémité avant vers le haut et soulevez doucement (8).
- Remettez en place le panneau de commandes et le déflecteur de vent une fois la détection des fuites terminée. ♦



DETECTION DES FUITES DE GAZ

⚠ DANGER

N'utilisez pas de flamme nue pour effectuer la détection des fuites. Assurez-vous de l'absence de toute étincelle ou flamme nue dans la zone pendant que vous détectez les fuites. La présence d'étincelles ou de flammes nues provoquerait un incendie ou une explosion susceptible d'entraîner des blessures ou un décès ainsi que des dégâts matériels.

Remarque : La totalité des raccords effectués en usine fait l'objet d'une détection minutieuse des fuites. Les brûleurs ont été testés à la flamme. Par mesure de sécurité toutefois, vous devriez vérifier à nouveau la totalité des raccords afin de détecter toute fuite avant d'utiliser votre grill à gaz Weber®. L'expédition et la manipulation peuvent desserrer ou détériorer un raccord de gaz.

- MISE EN GARDE : Les raccords de gaz de votre grill à gaz ont été testés à l'usine. Nous vous recommandons néanmoins de détecter les fuites pour tous les raccords de gaz avant d'utiliser votre grill à gaz.**
- MISE EN GARDE : Effectuez ces contrôles de détection des fuites même si votre barbecue a été assemblé par un revendeur ou en boutique.**

Si votre grill est pourvu d'un brûleur latéral, assurez-vous que ce brûleur latéral est éteint.

Ouvrez l'arrivée de gaz à la source.

- MISE EN GARDE : N'allumez pas les brûleurs lorsque vous détectez les fuites.**

Il vous faudra : Une solution d'eau savonneuse et un chiffon ou une brosse pour l'appliquer.

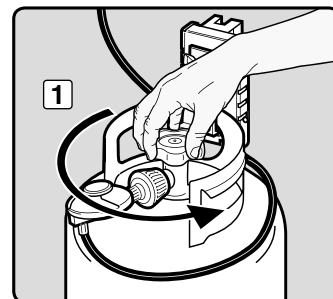
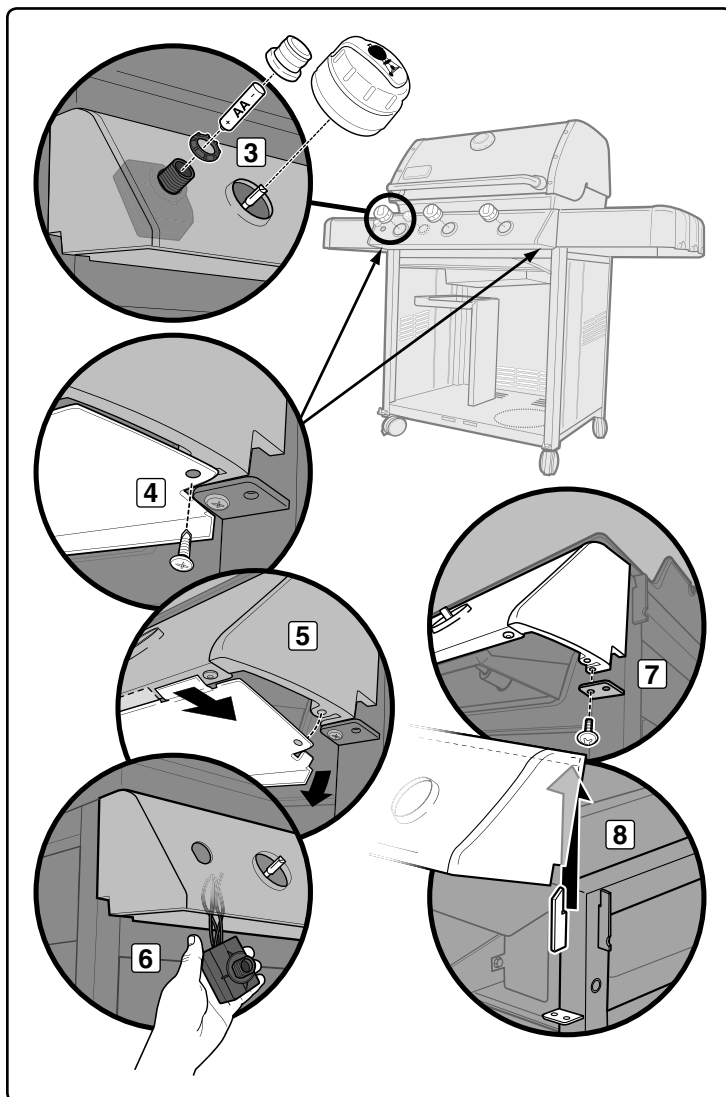
- Mélangez l'eau et le savon.
- Ouvrez l'arrivée de gaz (1).
- Détectez les fuites en humidifiant le raccord à l'aide de la solution d'eau savonneuse et en regardant si des bulles se forment. Si des bulles se forment, ou si une bulle grossit, il y a une fuite.

Si'il y a une fuite, fermez le gaz et serrez le raccord. Ouvrez à nouveau le gaz et vérifiez à nouveau à l'aide de la solution d'eau savonneuse. Si la fuite continue, n'utilisez pas le barbecue. Contactez le représentant du Service client le plus proche à l'aide des coordonnées à votre disposition sur notre site Internet. Connectez-vous sur www.weber.com®.

- Une fois la détection des fuites terminée, fermez l'arrivée de gaz à la source et rincez les raccords à l'eau.

Remarque : Dans la mesure où certaines solutions de détection des fuites, notamment l'eau savonneuse, peuvent s'avérer légèrement corrosives, la totalité des raccords devrait être rincée à l'eau après la détection des fuites.

- MISE EN GARDE : Vous devriez détecter les fuites à chaque fois que vous déconnectez et reconnectez un raccord de gaz.**



INSTRUCTIONS RELATIVES AU GAZ

Vérifiez :

- A) Raccord entre le tuyau du régulateur et la tête du brûleur (1).
- B) Raccord entre la conduite de gaz principale et la tête du brûleur (2).
- C) Raccords entre la conduite de gaz principale et le collecteur (3).
- D) Raccord entre la conduite de gaz du brûleur latéral et le collecteur (4).
- E) Connexion entre le raccord de la conduite du brûleur et la coupe du brûleur latéral (5).
- F) Connexions entre le raccord de la conduite du brûleur latéral et la valve du brûleur latéral (6).

⚠ **MISE EN GARDE : En cas de fuite au niveau d'un raccord (1, 2, 3, 4, 5, ou 6), resserrez le raccord à l'aide d'une clé puis détectez à nouveau les fuites à l'aide d'une solution d'eau savonneuse. En cas de persistance d'une fuite une fois que vous avez resserré le raccord, fermez le gaz (position OFF). N'UTILISEZ PAS LE GRILL. Contactez le représentant du Service clientèle de votre région à l'aide des coordonnées à votre disposition sur notre site Internet. Connectez-vous sur www.weber.com.**

- G) Raccord entre le brûleur latéral et la déconnexion rapide (7).
- H) Connexion entre le tuyau du régulateur et la bouteille de gaz (8).
- I) Connexion entre le tuyau du régulateur et le régulateur (9).
- J) Connexions entre les valves et le collecteur (10).

⚠ **MISE EN GARDE : En cas de fuite au niveau des raccords (7, 8, 9 ou 10), fermez le gaz (position OFF). N'UTILISEZ PAS LE GRILL. Contactez le représentant du Service clientèle de votre région à l'aide des coordonnées à votre disposition sur notre site Internet. Connectez-vous sur www.weber.com.**

Une fois les détections de fuites terminées, fermez l'arrivée de gaz (position OFF) à la source puis rincez les connexions à l'eau.

Réinstaller le panneau de commande

Il vous faudra : un tournevis cruciforme.

- A) Positionnez l'extrémité supérieure du panneau de commande sur les languettes du châssis. Enfoncez-le en position.
- B) Réinstallez le module de l'allumeur.
- C) Faites glisser les deux languettes les plus courtes du déflecteur de vent vers l'extrémité interne du panneau de commande tandis que vous ferez glisser la languette la plus longue au-dessus de l'extrémité externe. Recherchez les illustrations précédentes pour avoir une référence.
- D) Alignez les vis avec les trous destinés à les recevoir sur le support du panneau de commande ainsi que sur le châssis.
- E) Serrez les vis.
- F) Placez les boutons de commande correspondants sur les tiges des valves. ♦

RECHARGEMENT DE LA BOUTEILLE DE PROPANE LIQUIDE

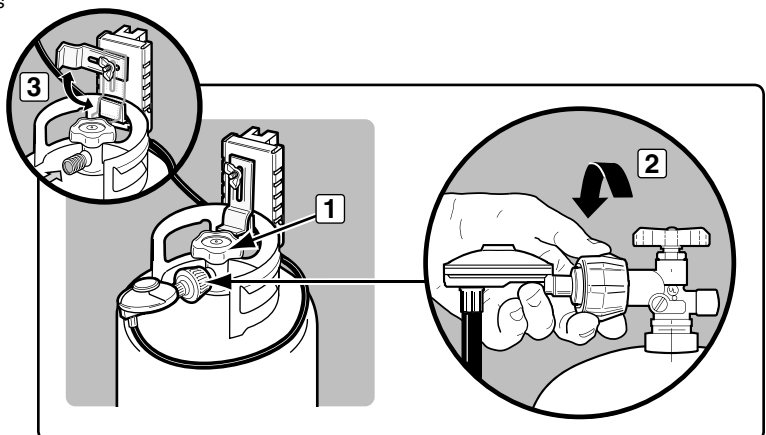
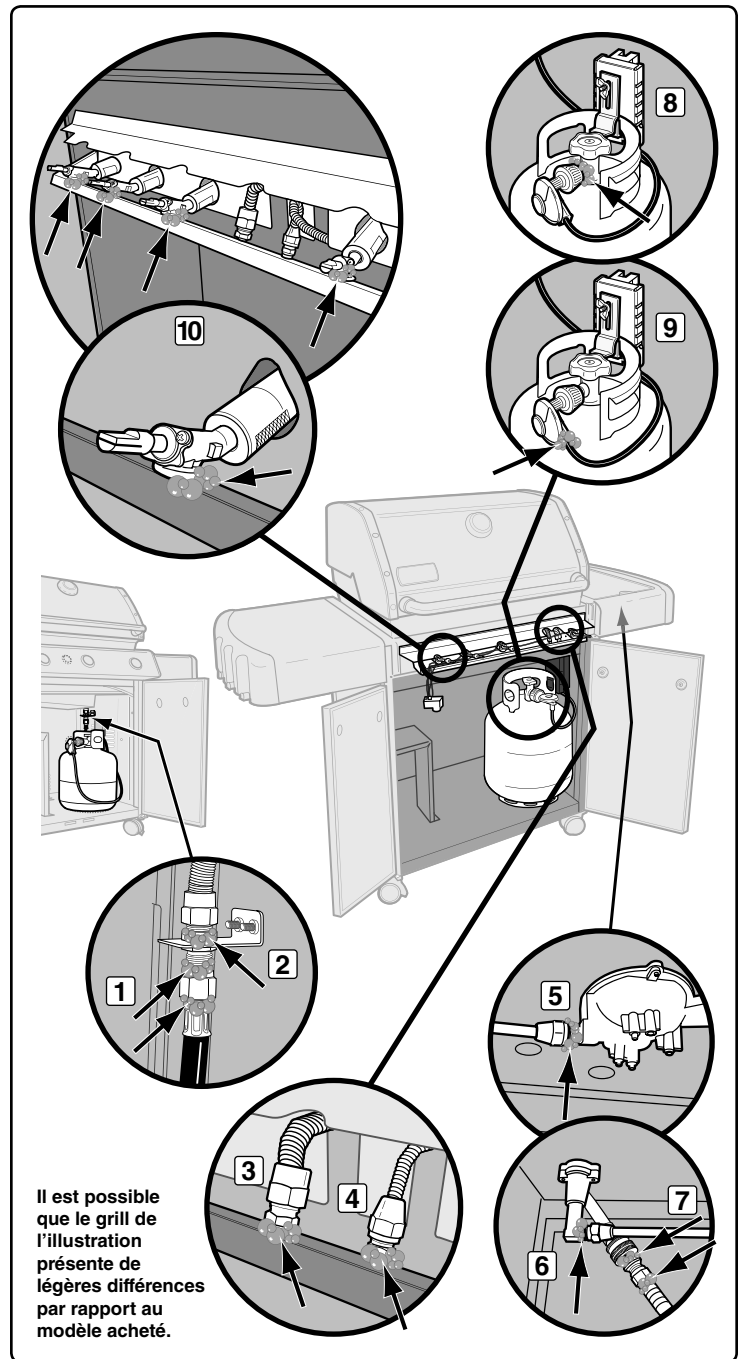
Nous vous recommandons de recharger la bouteille de PL avant que celle-ci ne soit complètement vide.

Retrait de la bouteille de PL :

- A) Fermez la valve de la bouteille de gaz (tournez dans le sens des aiguilles d'une montre) (1).
- B) Dévissez le couplage du régulateur en le tournant dans le sens inverse des aiguilles d'une montre, à la main uniquement (2).
- C) Desserrez l'écrou à oreilles verrouillant la bouteille de gaz et retirez le verrou de la bouteille de gaz (3).
- D) Soulevez la bouteille de gaz pour la sortir.

Pour recharger la bouteille de PL, emmenez-la chez un revendeur de propane, ou cherchez à "gaz propane" dans l'annuaire pour d'autres sources de gaz PL.

- ⚠ **MISE EN GARDE : Nous vous recommandons de faire remplir votre bouteille de PL auprès d'un revendeur de gaz agréé, par du personnel qualifié, qui remplit la bouteille au poids. UN MAUVAIS REMPLISSAGE EST DANGEREUX.**
- ⚠ **ATTENTION : Placez le cache anti-poussière sur la sortie de la valve de la bouteille de gaz chaque fois que la bouteille de gaz est inutilisée. N'utilisez que le type de cache anti-poussière fourni avec la valve de la bouteille de propane. L'utilisation d'autres types de caches ou de bouchons pourrait provoquer une fuite de propane. ♦**

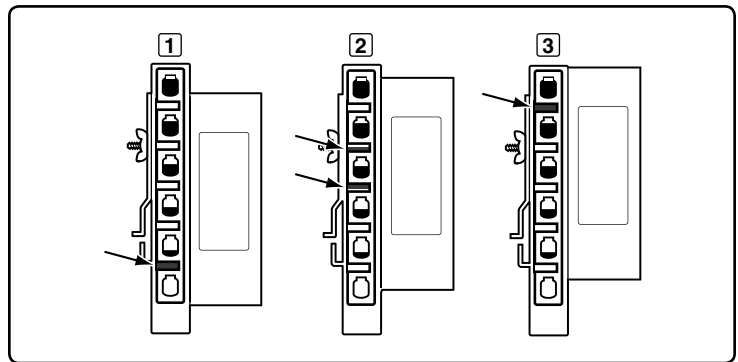


AVANT D'UTILISER LE GRILL

NIVEAU DE COMBUSTIBLE

Vérifiez le niveau de combustible en regardant la ligne de niveau d'indication colorée, située sur le côté de la graduation de la bouteille de gaz.

- A) Vide (1)
- B) Moyen (2)
- C) Plein (3) ♦

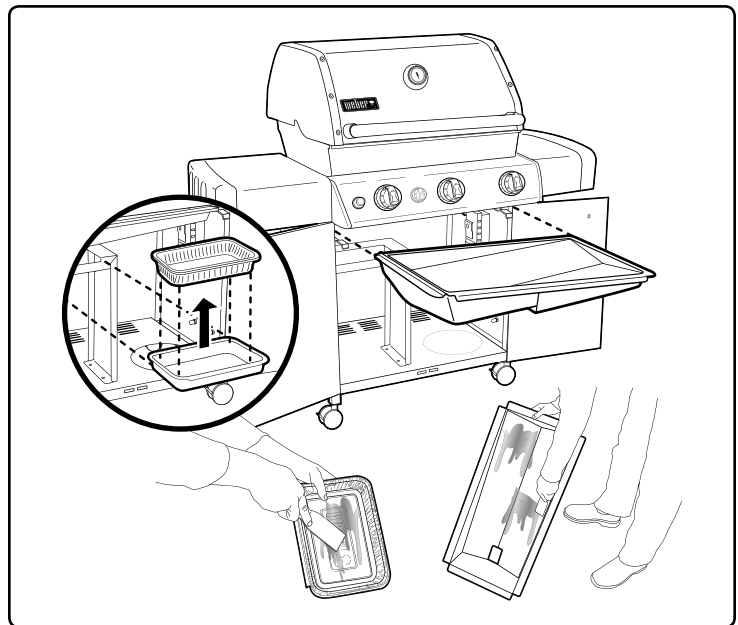


PLATEAU DE RECUPERATION DES GRAISSES AMOVIBLE ET EGOUTTOIR JETABLE

Votre grill a été fabriqué avec un dispositif de collecte des graisses intégré. Vérifiez le plateau de récupération des graisses amovible et l'égouttoir jetable afin de détecter la présence d'accumulations de graisses à chaque fois que vous utilisez votre grill.

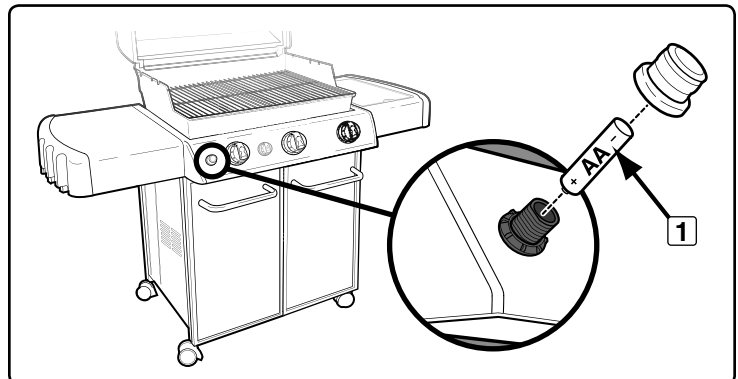
Retirez l'excès de graisse à l'aide d'une spatule en plastique ; voir l'illustration. Lorsque cela s'avère nécessaire, lavez le plateau de récupération des graisses amovible et l'égouttoir jetable à l'aide d'une solution d'eau savonneuse, puis rincez-les à l'eau claire. Remplacez l'égouttoir jetable lorsque son remplacement est nécessaire.

- ⚠ **MISE EN GARDE : Vérifiez si le plateau de récupération des graisses amovible et l'égouttoir jetable contiennent des accumulations de graisses avant chaque utilisation. Retirez les excès de graisse afin d'éviter un embrasement de ces graisses. Un embrasement des graisses risquerait de provoquer une blessure grave ou des dégâts matériels.**
- ⚠ **ATTENTION : Ne couvrez-pas le plateau de récupération des graisses amovible d'une feuille de papier aluminium. ♦**



INSPECTION DE L'ALLUMEUR ELECTRONIQUE

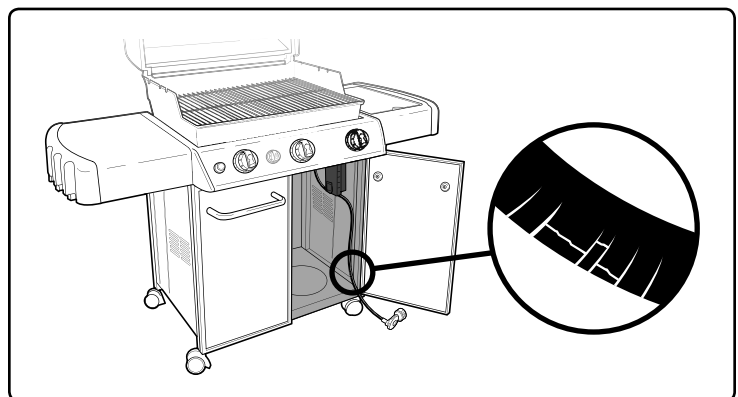
Vérifiez que votre pile AA (alcaline uniquement) est en bon état et qu'elle est correctement installée (1). Certaines piles sont emballées dans un plastique de protection. Ce plastique doit être retiré. Ne confondez pas ce plastique avec l'étiquette de la pile. ♦



INSPECTION DU TUYAU

Le tuyau devrait être inspecté afin de détecter tout signe de fissure.

- ⚠ **MISE EN GARDE : Vérifiez le tuyau avant chaque utilisation du barbecue afin de détecter toute égratignure, fissure, abrasion ou coupure. Si le tuyau s'avère détérioré de quelque manière que ce soit, n'utilisez pas le barbecue. Remplacez le tuyau en utilisant uniquement un tuyau de rechange agréé par Weber®. Contactez le représentant du Service clientèle de votre région à l'aide des coordonnées à votre disposition sur notre site Internet. Connectez-vous sur www.weber.com®. ♦**



ALLUMAGE & UTILISATION DU BRULEUR PRINCIPAL

ALLUMAGE DU BRULEUR PRINCIPAL

Remarque : Des instructions brèves pour l'allumage se trouvent à l'intérieur de la porte gauche du meuble.

⚠ DANGER

Le fait de ne pas ouvrir le couvercle pendant l'allumage des brûleurs du barbecue, ou de ne pas patienter cinq minutes pour laisser le gaz se dissiper si le barbecue ne s'allumait pas, risque d'entraîner un embrasement explosif susceptible de provoquer une blessure grave voire un décès.

- A) Ouvrez le couvercle (1).
 B) Assurez-vous que la totalité des boutons de commande du brûleur est en position ARRÊTÉ (OFF) (2). (Enfoncez le bouton de commande et tournez-le dans le sens des aiguilles d'une montre afin de vous assurer qu'il est sur la position FERME [OFF]).

⚠ **MISE EN GARDE** : Les boutons de commande du brûleur doivent être sur la position ARRÊTÉ (OFF) avant d'ouvrir la valve de la bouteille de PL (3). S'ils ne sont pas sur la position ARRÊTÉ (OFF), lorsque vous ouvrez la valve de la bouteille de PL, la fonction de "contrôle du débit de gaz en excès" va s'activer, limitant ainsi le flux de gaz en provenance de la bouteille de PL. Si cela se produisait, fermez la valve de la bouteille de PL et les boutons de contrôle du brûleur. Recommencez.

⚠ DANGER

Lorsque la fonction de "contrôle du débit de gaz en excès" est activée, une petite quantité de gaz continue d'arriver vers les brûleurs. Après avoir fermé la valve de la bouteille de PL et les boutons de contrôle du brûleur, patientez au moins cinq minutes pour laisser le gaz se dissiper avant de tenter d'allumer le grill. Le non respect de cette consigne de sécurité risque de provoquer un embrasement explosif, susceptible d'entraîner une blessure grave voire un décès.

- C) Ouvrez la bouteille de gaz en tournant lentement la valve de la bouteille dans le sens inverse des aiguilles d'une montre (3).

Système d'Allumage Électronique

Chacun des boutons de commande actionne un brûleur individuel, et chaque brûleur s'allume à l'aide d'un allumeur électronique. Le système d'allumage électronique allume chaque brûleur individuellement à l'aide d'une étincelle produite par l'électrode de l'allumeur à l'intérieur de la chambre d'allumage Gas Catcher™. Vous générez l'énergie nécessaire à l'étincelle en enfonçant le bouton d'allumage électronique. Vous l'entendrez émettre un déclic.

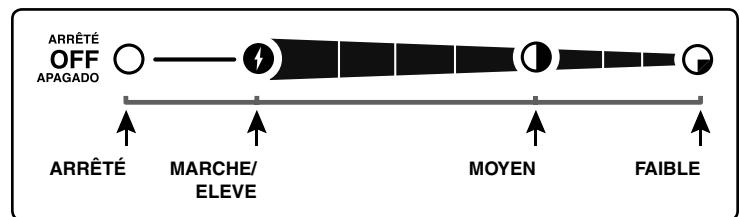
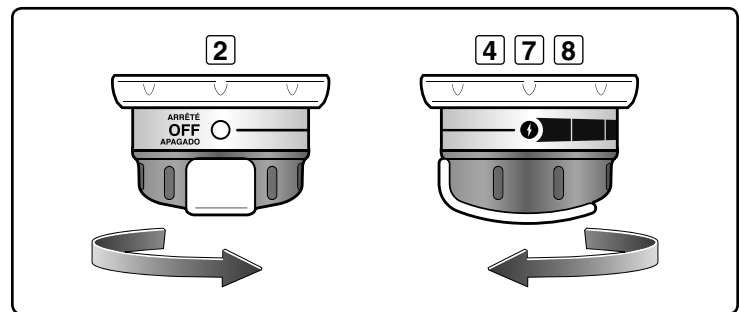
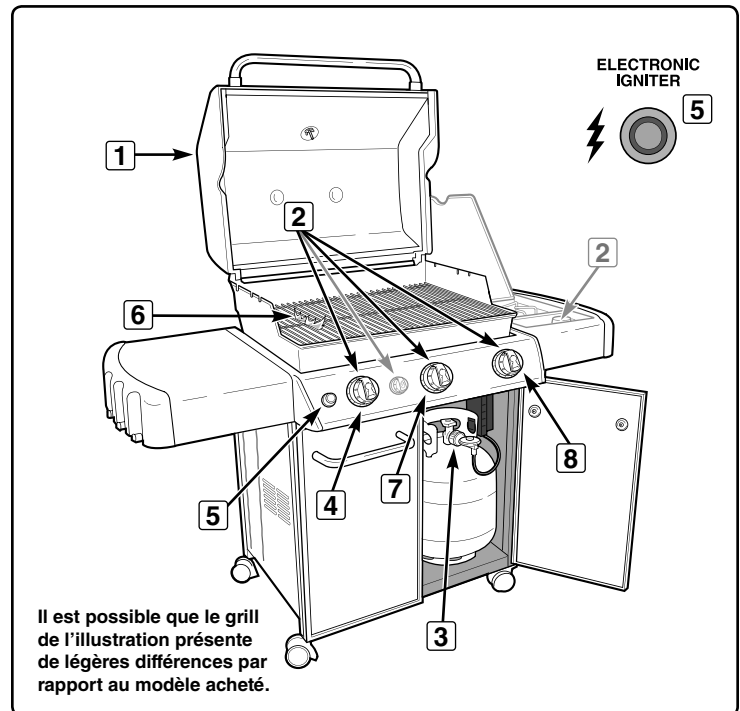
- D) Allumez les brûleurs individuellement de gauche à droite. Commencez par le brûleur de gauche ; enfoncez le bouton de commande et tournez-le vers MARCHE/ELEVE (START/HI) (4). Maintenez enfoncé le bouton d'allumage électronique (5). Vous l'entendrez émettre un déclic. Vérifiez si le brûleur gauche est allumé en regardant à travers les grilles de cuisson. Vous devriez voir une flamme (6).

⚠ **MISE EN GARDE** : Ne vous penchez pas au-dessus du barbecue ouvert.

- E) Allumez le brûleur central en enfonçant le bouton de commande et en le tournant vers MARCHE/ELEVE (START/HI) (7). Ensuite, maintenez enfoncé le bouton d'allumage électronique (5). Vous l'entendrez émettre un déclic. Vérifiez si le brûleur central est allumé en regardant à travers les grilles de cuisson.

- F) Allumez le brûleur droit en enfonçant le bouton de commande et en le tournant vers MARCHE/ELEVE (START/HI) (8). Maintenez enfoncé le bouton d'allumage électronique (5). Vous l'entendrez émettre un déclic. Confirmez que le brûleur droit est allumé en regardant à travers les grilles de cuisson.

⚠ **MISE EN GARDE** : Chacun des brûleurs doit être allumé individuellement en enfonçant le bouton d'allumage électronique. Le non respect de cette consigne de sécurité risque de provoquer un embrasement de gaz susceptible d'entraîner une blessure grave ainsi que des dégâts matériels.



⚠ **MISE EN GARDE** : Si l'un des brûleurs ne s'allume pas au moment de l'allumage, en moins de cinq secondes, arrêtez, tournez le bouton de commande du brûleur en position FERME (OFF) puis patientez cinq minutes pour laisser le gaz se dissiper avant d'essayer à nouveau ou allumez le brûleur avec une allumette. ♦

POUR ÉTEINDRE

Enfoncez et tournez chacun des boutons de contrôle des brûleurs dans le sens des aiguilles d'une montre vers la position ARRÊTÉ (OFF). Fermez l'arrivée de gaz à la source. ♦

ALLUMAGE & UTILISATION DU BRULEUR PRINCIPAL

ALLUMAGE MANUEL DU BRULEUR PRINCIPAL

⚠ DANGER

Le fait de ne pas ouvrir le couvercle pendant l'allumage des brûleurs du barbecue, ou de ne pas patienter cinq minutes pour laisser le gaz se dissiper si le barbecue ne s'allumait pas, risque d'entraîner un embrasement explosif susceptible de provoquer une blessure grave voire un décès.

- A) Ouvrez le couvercle (1).
- B) Assurez-vous que la totalité des boutons de commande du brûleur est en position ARRÊTÉ (OFF) (2). (Enfoncez le bouton de commande et tournez-le dans le sens des aiguilles d'une montre afin de vous assurer qu'il est sur la position FERME [OFF]).

⚠ **MISE EN GARDE : Les boutons de commande du brûleur doivent être sur la position ARRÊTÉ (OFF) avant d'ouvrir la valve de la bouteille de PL (3). S'ils ne sont pas sur la position ARRÊTÉ (OFF), lorsque vous ouvrez la valve de la bouteille de PL, la fonction de "contrôle du débit de gaz en excès" va s'activer, limitant ainsi le flux de gaz en provenance de la bouteille de PL. Si cela se produisait, fermez la valve de la bouteille de PL et les boutons de contrôle du brûleur. Recommencez.**

⚠ DANGER

Lorsque la fonction de "contrôle du débit de gaz en excès" est activée, une petite quantité de gaz continue d'arriver vers les brûleurs. Après avoir fermé la valve de la bouteille de PL et les boutons de contrôle du brûleur, patientez au moins cinq minutes pour laisser le gaz se dissiper avant de tenter d'allumer le grill. Le non respect de cette consigne de sécurité risque de provoquer un embrasement explosif, susceptible d'entraîner une blessure grave voire un décès.

- C) Ouvrez la bouteille de gaz en tournant lentement la valve de la bouteille dans le sens inverse des aiguilles d'une montre (3).
- D) Allumez les brûleurs individuellement de gauche à droite. Commencez par le brûleur de gauche. Placez l'allumette dans le porte-allumette puis frottez l'allumette. Insérez le porte-allumette avec l'allumette allumée à travers les grilles de cuisson, faites-les dépasser les barres Flavorizer® et arriver à côté du brûleur gauche (4). Enfoncez le bouton de commande (5) et tournez-le vers MARCHE/ELEVE (START/HI) pour allumer le brûleur gauche. Vérifiez si le brûleur gauche est allumé en regardant à travers les grilles de cuisson. Vous devriez voir une flamme (6).

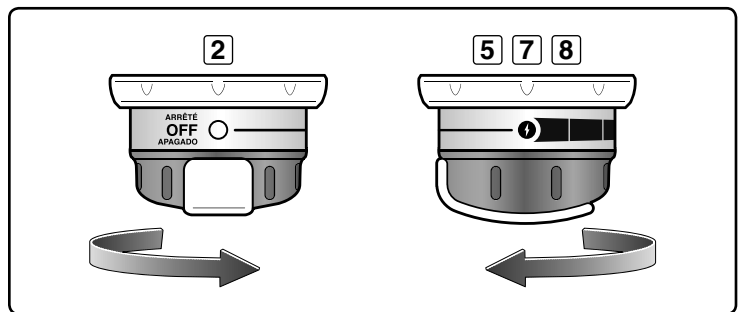
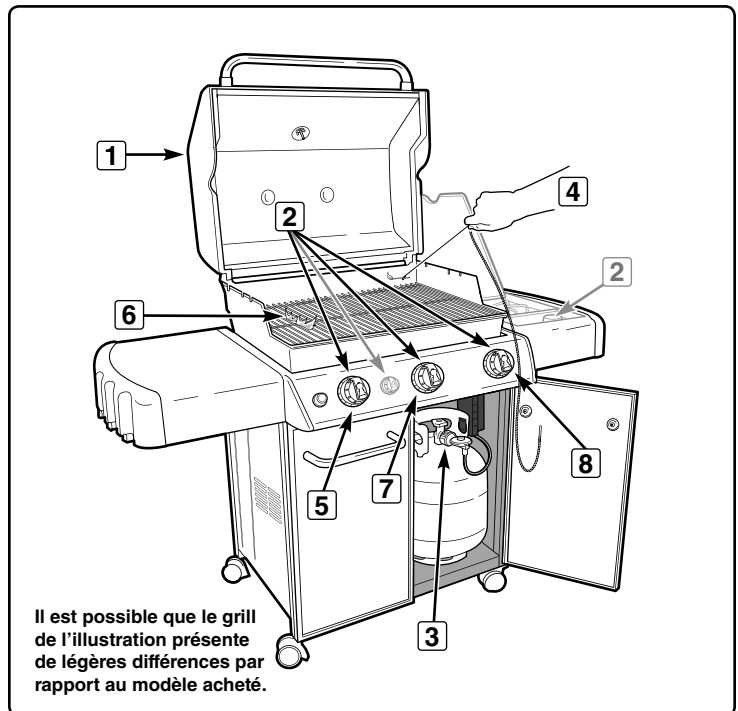
⚠ **MISE EN GARDE : Ne vous penchez pas au-dessus du barbecue ouvert.**

- E) Allumez le brûleur central en plaçant une allumette dans le porte-allumette et en frottant l'allumette. Ensuite, insérez le porte-allumette avec l'allumette allumée à travers les grilles de cuisson, faites-les dépasser les barres Flavorizer® et arriver à côté du brûleur central. Enfoncez le bouton de commande (7) et tournez-le vers MARCHE/ELEVE (START/HI) pour allumer le brûleur central. Vérifiez si le brûleur central est allumé en regardant à travers les grilles de cuisson.
- F) Allumez le brûleur droit en plaçant une allumette dans le porte-allumette et en frottant l'allumette. Ensuite, insérez le porte-allumette avec l'allumette allumée à travers les grilles de cuisson, faites-les dépasser les barres Flavorizer® et arriver à côté du brûleur droit. Enfoncez le bouton de commande (8) et tournez-le vers MARCHE/ELEVE (START/HI) pour allumer le brûleur droit. Vérifiez si le brûleur droit est allumé en regardant à travers les grilles de cuisson.

⚠ **MISE EN GARDE : Si l'un des brûleurs ne s'allume pas au moment de l'allumage, en moins de cinq secondes, arrêtez, tournez le bouton de commande du brûleur en position ARRÊTÉ (OFF) puis patientez cinq minutes pour laisser le gaz se dissiper avant d'essayer à nouveau ou allumez le brûleur avec une allumette. ♦**

POUR ETEINDRE

Enfoncez et tournez le bouton de commande de chacun des brûleurs dans le sens des aiguilles d'une montre vers la position ARRÊTÉ (OFF). Fermez l'arrivée de gaz à la source. ♦



ALLUMAGE & UTILISATION DU GRILL SEAR STATION®

ALLUMAGE DU BRULEUR DE LA SEAR STATION®

Le modèle 330 comprend un brûleur à saisir, qui fonctionne comme un brûleur individuel. L'allumage du brûleur à saisir se déroule de la même manière que l'allumage d'un brûleur principal. Pour allumer le brûleur à saisir la viande, voir "ALLUMAGE DU BRULEUR PRINCIPAL." **Suivez la totalité des instructions intitulées étape, danger, et mise en garde lorsque vous allumez le brûleur à saisir comme vous le feriez en allumant un brûleur principal.** ♦

ALLUMAGE MANUEL DU BRULEUR DE LA SEAR STATION®

Pour allumer manuellement le brûleur à saisir, voir "ALLUMAGE MANUEL DU BRULEUR PRINCIPAL." **Suivez la totalité des instructions intitulées étape, danger, et mise en garde lorsque vous allumez manuellement le brûleur à saisir comme vous le feriez en allumant un brûleur principal.** ♦

QUE SIGNIFIE SAISIR LA VIANDE ?

La cuisson par saisie est une technique de grillade directe utilisée sur les viandes, comme le steak, les pièces de volaille, le poisson et les côtes. Saisir les aliments fait dorer leur surface à température élevée. En saisissant ou en faisant dorer les deux côtés de la viande, vous caramélisez la surface des aliments, créant ainsi un saveur plus désirable. La saisie optimise également l'aspect de la viande avec des marques de grillade laissées par les grilles de cuisson. Le contraste résultant de textures et de saveurs peut rendre les aliments plus intéressants pour le palais.

Au fur et à mesure que vous gagnez en expérience dans l'utilisation de votre Sear Station®, nous vous encourageons à expérimenter avec différentes durées de saisie afin de trouver les résultats qui correspondent le mieux à votre goût. ♦

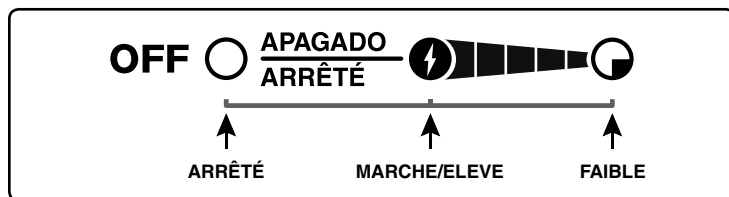
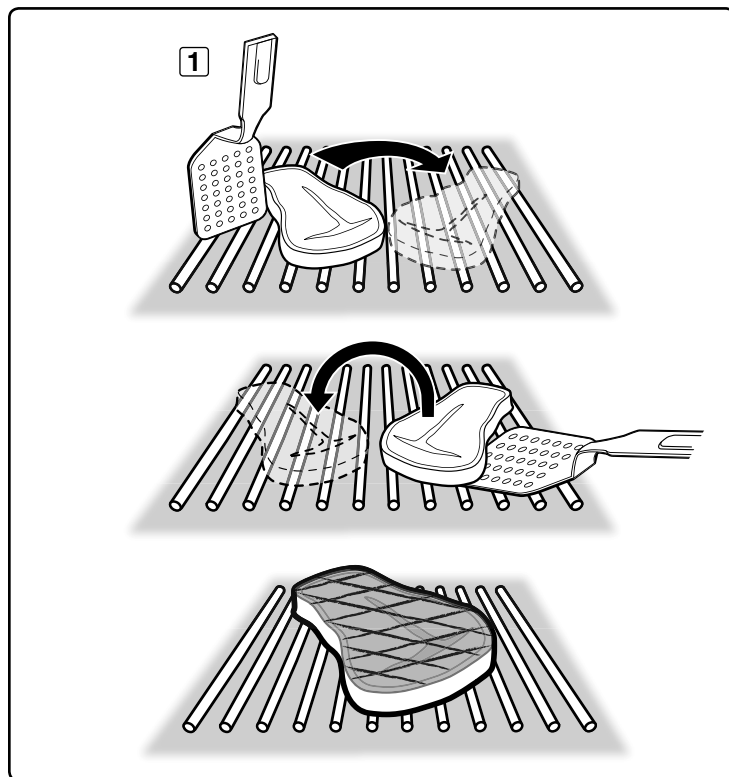
UTILISATION DU BRULEUR DE LA SEAR STATION®

Le brûleur de la Sear Station® est pourvu de réglages de la commande qui sont ARRÊTÉ (OFF), MARCHE/ELEVE (START/HI), et FAIBLE (LOW) qui fonctionnent avec le brûleur gauche et avec le brûleur central. Avec le brûleur à saisir et les brûleurs adjacents, vous pouvez saisir efficacement les viandes tout en utilisant la zone de cuisson du brûleur droit pour réaliser une grillade à température modérée.

Avant de saisir les aliments, vous devriez tourner la totalité des brûleurs principaux sur ELEVE (HI) pendant quinze minutes afin de préchauffer le grill. Une fois le grill préchauffé, tournez le brûleur droit en position ARRÊTÉ (OFF) ou FAIBLE (LOW). Laissez le brûleur gauche et le brûleur central sur ELEVE (HI) et allumez le brûleur de la Sear Station®.

Placez la viande directement sur la Sear Station®. Vous allez saisir chaque côté entre une et quatre minutes, en fonction du type et de l'épaisseur de la viande. Vous pouvez tourner les aliments d'un quart pour produire des marques de grillade qui se croisent (1) avant de saisir l'autre côté de la même manière.

Une fois que vous avez fini de saisir la viande, vous pouvez terminer la grillade en déplaçant la viande vers une température plus modérée au-dessus du brûleur droit afin d'atteindre le niveau de cuisson souhaité. Grillez toujours les aliments avec le couvercle fermé afin de permettre une température maximale et d'éviter les embrasements. ♦



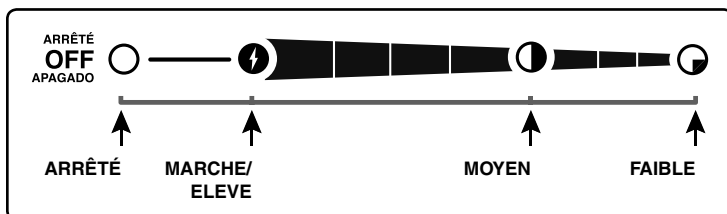
CONSEILS & ASTUCES POUR LA GRILLADE

- Préchauffez toujours le grill avant la cuisson. Réglez tous les brûleurs sur ELEVÉ puis fermez le couvercle; laissez chauffer pendant 10 minutes, ou jusqu'à ce que le thermomètre atteigne 500°–550°F (260°–288°C).
- Grillez les viandes et cuisinez avec le couvercle fermé pour des aliments grillés à la perfection à chaque fois.
- Les durées de grillade des recettes sont fournies pour une température extérieure de 70°F (20°C) avec peu ou pas de vent. Laissez les aliments cuire plus longtemps s'il fait froid ou s'il y a du vent, ou en altitude. Diminuez la durée de cuisson si le temps est extrêmement chaud.
- Les durées de grillade sont susceptibles de varier en fonction des conditions météorologiques, ou de la quantité, de la taille, et de la forme des aliments à griller.
- Il est possible que la température de votre grill à gaz atteigne un niveau plus élevé que la normale lors des premières utilisations.
- Les conditions de grillade peuvent nécessiter une adaptation des commandes du brûleur pour atteindre les températures de cuisson correctes.
- En général, les gros morceaux de viande nécessitent une durée de cuisson plus longue par livre que les petits morceaux de viande. Des aliments placés sur une grille de cuisson surchargée devront cuire plus longtemps qu'une petite quantité d'aliments. Les aliments grillés dans des récipients comme les haricots, nécessiteront une durée de cuisson plus longue s'ils sont grillés dans une casserole profonde que s'ils sont cuits dans un plat peu profond.
- Retirez le surplus de matière grasse des steaks, des côtes, et des rôtis en ne laissant pas plus d'1/4 pouce (6.4 mm) de matière grasse. Le fait qu'il y ait moins de matière grasse facilite le nettoyage, et constitue quasiment une garantie contre les embrasements indésirables.
- Les aliments placés directement sur la grille de cuisson au-dessus des brûleurs peuvent avoir besoin d'être retournés ou d'être déplacés vers une zone moins chaude.
- Utilisez des pinces plutôt que des fourchettes pour retourner et manipuler la viande afin d'éviter toute perte de jus de viande. Utilisez deux spatules pour manipuler les gros poissons entiers.
- En cas d'embrasement indésirable, fermez tous les brûleurs et déplacez les aliments vers une autre zone de la grille de cuisson. Toute flamme se résorbera rapidement. Une fois que les flammes se sont éteintes, rallumez le grill. **N'UTILISEZ JAMAIS D'EAU POUR ÉTEINDRE LES FLAMMES SUR UN GRILL À GAZ.**
- La cuisson de certains aliments, comme les ragoûts ou les filets de poisson fins, nécessite un récipient. Les plats en aluminium jetables sont très pratiques mais vous pouvez utiliser n'importe quel plat métallique avec des gants de cuisiner.
- Assurez-vous toujours que le plateau de récupération des graisses amovible et l'égouttoir sont propres et ne contiennent aucun résidu.
- Ne recouvrez pas le plateau de récupération des graisses amovible avec du papier aluminium. Ceci pourrait empêcher la graisse de s'écouler vers l'égouttoir.
- L'utilisation d'un minuteur vous aidera à savoir lorsque la viande "bien cuite" est sur le point de devenir "trop cuite." ♦

PRÉCHAUFFAGE

Votre barbecue à gaz Weber® est un appareil qui utilise l'énergie de manière efficace. En fonctionnement, son évaluation BTU est faible et économique. Il est important de préchauffer votre grill avant de l'utiliser. Allumez votre grill en respectant les instructions du présent Manuel de l'utilisateur. Pour le préchauffage : après l'allumage, positionnez tous les brûleurs sur MARCHE/ELEVÉ, fermez le couvercle, et laissez chauffer jusqu'à ce que la température atteigne un niveau situé entre 500° et 550° F (260° et 290° C), la température de cuisson recommandée. Ceci prendra 10 à 15 minutes en fonction de conditions comme la température de l'air et le vent.

Vous pouvez ajuster les brûleurs individuels selon ce que vous souhaitez. Les réglages des commandes sont MARCHE/ELEVÉ, MOYEN, FAIBLE, ou ARRÊTÉ.



Remarque : Les conditions de cuisson, comme le vent et les conditions climatiques, peuvent nécessiter l'ajustement des commandes du brûleur afin d'obtenir les températures de cuisson correctes.

Remarque : Si le grill perd de la chaleur pendant la cuisson, veuillez consulter la section intitulée Résolution des problèmes de ce manuel.

⚠ MISE EN GARDE : Ne déplacez pas le barbecue à gaz Weber® en cours d'utilisation ou lorsque celui-ci est très chaud.

Si les brûleurs s'éteignent pendant la cuisson, éteignez tous les brûleurs puis patientez cinq minutes avant de les allumer à nouveau. ♦

CUISSON COUVERTE

La totalité de la grillade s'effectue avec le couvercle fermé afin d'apporter une chaleur

uniforme qui circule de façon homogène. Avec le couvercle fermé, le grill à gaz cuit d'une manière très semblable à un four à convection. Le thermomètre dans le couvercle indique la température de cuisson à l'intérieur du grill. La totalité du préchauffage et de la grillade s'effectue avec le couvercle fermé. N'ouvrez pas pour regarder — vous perdez de la chaleur à chaque fois que vous soulevez le couvercle. ♦

ÉCOULEMENTS DE JUS ET DE GRAISSES

Les barres Flavorizer® sont conçues pour "fumer" la quantité correcte de jus pour une cuisson savoureuse. Les excédents de jus et de graisses vont s'accumuler dans l'égouttoir au-dessous du plateau de récupération des graisses amovible. Des égouttoirs jetables en aluminium sont disponibles ; ils s'adaptent parfaitement à l'égouttoir.

⚠ MISE EN GARDE : Vérifiez le plateau de récupération des graisses amovible ainsi que l'égouttoir afin de détecter toute accumulation de graisse avant chaque utilisation. Retirez tout excès de matière grasse afin d'éviter un embrasement de graisse à l'intérieur du plateau de récupération des graisses amovible. ♦

SYSTÈME FLAVORIZER®

Lorsque les jus de viandes s'écoulent des aliments vers les barres Flavorizer® disposées selon un angle particulier, elles créent de la fumée qui donne aux aliments une saveur de barbecue irrésistible. Grâce à la conception unique des brûleurs, des barres Flavorizer® et aux commandes de température souples, les embrasements incontrôlés sont presque éliminés, parce que VOUS contrôlez les flammes. En raison du design particulier des barres Flavorizer® et des brûleurs, les graisses en excès sont orientées vers le plateau de récupération des graisses amovible puis dans l'égouttoir. ♦

ALLUMAGE & UTILISATION DU BRULEUR LATÉRAL

ALLUMAGE DU BRULEUR LATÉRAL

Vous trouverez des instructions d'allumage résumées à l'intérieur de la porte gauche du placard.

⚠ DANGER

Le fait de ne pas ouvrir le couvercle lorsque vous allumez le brûleur latéral, ou de ne pas patienter cinq minutes pour laisser le gaz se dissiper si le brûleur latéral ne s'allumait pas, pourrait provoquer un embrasement explosif susceptible d'entraîner une blessure grave ou la mort.

⚠ **MISE EN GARDE:** Vérifiez le tuyau avant chaque utilisation du barbecue afin de détecter toute entaille, fissure, abrasion ou coupure. Si vous trouvez que le tuyau est détérioré de quelque manière que ce soit, n'utilisez pas le barbecue. Remplacez-le en utilisant uniquement un tuyau de rechange agréé par Weber®. Veuillez entrer en contact avec le Représentant du Service clientèle le plus proche au moyen des coordonnées à votre disposition sur notre site Internet. Connectez-vous sur www.weber.com®.

- A) Ouvrez le couvercle du brûleur latéral (1).
- B) Vérifiez que le brûleur latéral est positionné sur ARRÊTÉ (2). (Enfoncez le bouton de commande et tournez dans le sens des aiguilles d'une montre pour vous assurer qu'il est positionné sur ARRÊTÉ), positionnez tous les brûleurs inutilisés sur ARRÊTÉ (Enfoncez et tournez dans le sens des aiguilles d'une montre).
- C) Ouvrez la valve d'arrivée de gaz (3).
- D) Enfoncez et tournez la valve de commande du brûleur latéral vers MARCHÉ/ELEVE (4).
- E) Enfoncez le bouton d'allumage plusieurs fois de sorte que celui-ci émette un déclic à chaque fois jusqu'à ce que vous voyez une flamme (5).

⚠ **ATTENTION:** Il peut être difficile de voir la flamme du brûleur latéral par une journée claire et ensoleillée.

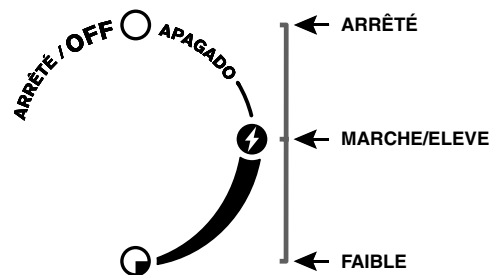
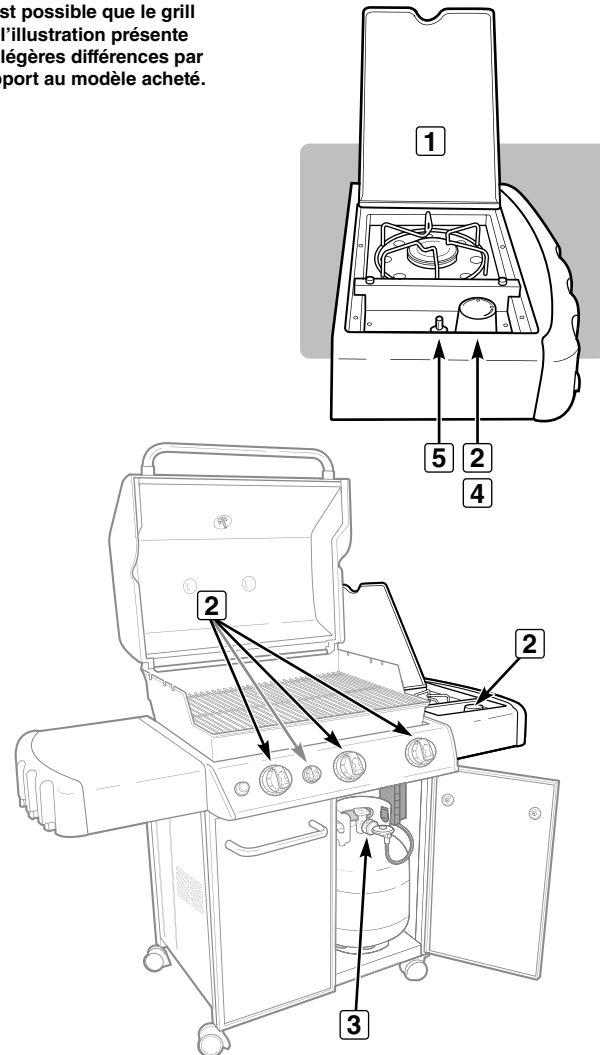
⚠ **MISE EN GARDE:** si le brûleur latéral ne s'allume pas dans un délai de cinq secondes:

- a) Fermez la valve de commande du brûleur latéral, les brûleurs principaux et l'arrivée de gaz à la source.
- b) Patientez cinq minutes pour laisser le gaz se dissiper avant d'essayer à nouveau, ou essayez de l'allumer avec une allumette (voir "ALLUMAGE MANUEL DU BRULEUR LATÉRAL"). ♦

POUR ÉTEINDRE

Enfoncez et tournez le bouton de commande du brûleur latéral vers la position d'ARRÊTÉ (OFF). Assurez-vous que le brûleur est éteint et qu'il a refroidi avant de fermer le couvercle du brûleur latéral. ♦

Il est possible que le grill de l'illustration présente de légères différences par rapport au modèle acheté.



ALLUMAGE & UTILISATION DU BRULEUR LATÉRAL

ALLUMAGE MANUEL DU BRULEUR LATÉRAL

⚠ DANGER

Le fait de ne pas ouvrir le couvercle lorsque vous allumez le brûleur latéral ou de ne pas patienter cinq minutes pour laisser le gaz se dissiper si le brûleur latéral ne s'allumait pas pourrait provoquer un embrasement explosif susceptible de provoquer une blessure grave ou la mort.

- A) Ouvrez le couvercle du brûleur latéral (1).
- B) Vérifiez que le brûleur latéral est positionné sur ARRÊTÉ (2). (Enfonchez le bouton de commande et tournez dans le sens des aiguilles d'une montre pour vous assurer qu'il est positionné sur ARRÊTÉ), positionnez tous les brûleurs inutilisés sur ARRÊTÉ (Enfonchez et tournez dans le sens des aiguilles d'une montre).
- C) Ouvrez la valve d'arrivée de gaz (3).
- D) Placez une allumette dans un porte-allumette et frottez-la.
- E) Tenez le porte-allumette et allumez les deux côtés du brûleur avec l'allumette (4).
- F) Enfonchez et tournez la valve de commande du brûleur latéral pour la positionner sur MARCHE/ELEVE (5).

⚠ **ATTENTION:** Il peut être difficile de distinguer la flamme du brûleur latéral par une journée claire et ensoleillée.

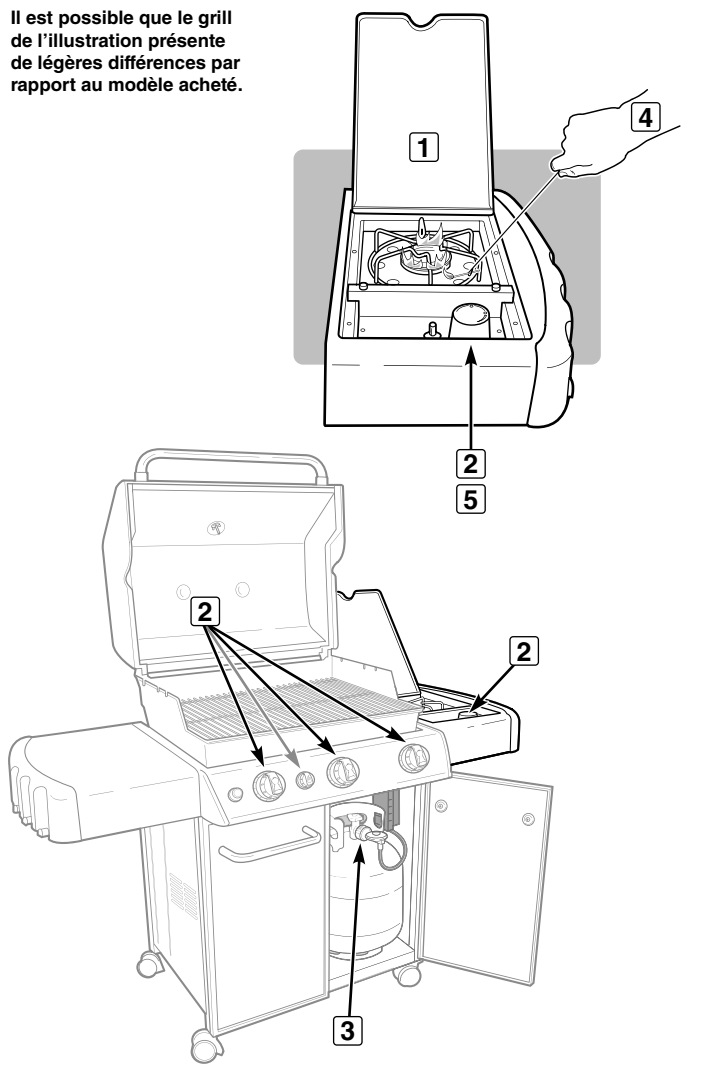
⚠ **MISE EN GARDE:** si le brûleur latéral ne s'allume pas dans un délai de cinq secondes:

- a) Fermez la valve de commande du brûleur latéral, les brûleurs principaux et l'arrivée de gaz à la source.
- b) Patientez cinq minutes pour laisser le gaz se dissiper avant d'essayer à nouveau. ♦

POUR ÉTEINDRE

Enfonchez et tournez le bouton de commande du brûleur latéral vers la position d'ARRÊT (OFF). Assurez-vous que le brûleur est éteint et qu'il a refroidi avant de fermer le couvercle du brûleur latéral. ♦

Il est possible que le grill de l'illustration présente de légères différences par rapport au modèle acheté.



DEPANNAGE

PROBLEME	VERIFICATION	SOLUTION
Les brûleurs brûlent avec une flamme jaune ou orange, associée à une odeur de gaz.	Inspectez les grilles anti insectes/araignées pour détecter toute obstruction éventuelle. (Blocage des trous.)	Nettoyez les grilles anti araignées/insectes. Voir "MAINTENANCE ANNUELLE."
Symptômes : Les brûleurs ne s'allument pas -ou- Les brûleurs ont une petite flamme vacillante en position ELEVE. -ou- La température du barbecue atteint uniquement 250° à 300° en position ELEVE	Le dispositif de sécurité empêchant un débit excessif, qui fait partie du raccord entre le barbecue et la bouteille de gaz, s'est peut-être activé.	Pour réinitialiser le dispositif de sécurité en cas de débit de gaz en excès, fermez la valve de la bouteille de PL et tournez tous les boutons de commande du brûleur vers la position ARRÊTÉ (OFF). Ouvrez le couvercle du grill. Tournez lentement la valve de la bouteille de PL jusqu'à ce qu'elle soit complètement ouverte. Patientez plusieurs secondes puis allumez votre grill. Voir "ALLUMAGE DU BRULEUR PRINCIPAL."
Le brûleur ne s'allume pas, ou la flamme est basse en position ELEVE.	Le niveau de combustible PL est-il faible ou vide ?	Remplissez la bouteille de PL.
	Le tuyau de combustible est-il plié ou pincé ?	Redressez le tuyau de combustible.
Le brûleur ne s'allume pas lorsque vous enfoncez le bouton de l'allumeur.	Assurez-vous que du gaz circule en direction des brûleurs en tentant d'allumer vos brûleurs avec une allumette. Voir "ALLUMAGE MANUEL DU BRULEUR PRINCIPAL."	Si l'allumage avec une allumette réussit, cela signifie que le problème vient du dispositif d'allumage. Voir "UTILISATION DU SYSTEME D'ALLUMAGE ELECTRONIQUE."
	Une pile neuve a-t-elle été installée ?	Vérifiez que la pile est en bon état et correctement en place. Voir "INSPECTION DE L'ALLUMEUR ELECTRONIQUE."
	Les câbles sont-ils correctement raccordés au module d'allumage ?	Assurez-vous que les câbles sont correctement insérés dans les terminaux sur le boîtier d'allumage. Voir "UTILISATION DU SYSTEME D'ALLUMAGE ELECTRONIQUE."
	Y a-t-il un emballage plastique autour de la pile neuve ?	Retirez l'emballage plastique.
En cas d'embrasements : ⚠ ATTENTION : Ne recouvrez pas le plateau de récupération des graisses amovible avec du papier aluminium.	Préchauffez-vous le barbecue selon la méthode recommandée ?	Tous les brûleurs sur ELEVE pendant 10 à 15 minutes pour le préchauffage.
	Y a-t-il une forte accumulation de graisse carbonisée sur les grilles de cuisson, les déflecteurs de chaleur et les barres Flavorizer® ?	Nettoyez de manière approfondie. Voir "NETTOYAGE."
	Est-ce que le plateau de récupération des graisses amovible est sale et empêche la graisse de s'écouler vers l'égouttoir ?	Nettoyez le plateau de récupération des graisses amovible.
La forme de la flamme du brûleur est irrégulière. La flamme est basse lorsque le brûleur est réglé sur ELEVE. Les flammes ne se trouvent pas sur toute la longueur du tube du brûleur.	Les brûleurs sont-ils propres ?	Nettoyez les brûleurs. Voir "MAINTENANCE"
L'intérieur du couvercle semble s'écailler. (Ressemble à de la peinture qui s'écaille.)	L'intérieur du couvercle est composé de porcelaine émaillée ou d'acier inoxydable, et il n'est pas peint. Il ne peut pas s'écailler. Ce que vous voyez c'est de la graisse carbonisée qui s'envole sous forme de flocons. CE N'EST PAS UN DEFAULT.	Nettoyez de manière approfondie. Voir "NETTOYAGE."
Les portes du meuble ne sont pas en face l'une de l'autre.	Vérifiez la goupille d'ajustement au bas de chaque porte.	Desserrez le ou les écrous d'ajustement. Faites glisser la ou les portes jusqu'à ce qu'elles soient en face. Serrez l'écrou.
Si les problèmes ne peuvent pas être corrigés en utilisant ces méthodes, veuillez contacter le représentant du Service clientèle de votre région à l'aide des coordonnées à votre disposition sur notre site Internet. Connectez-vous sur www.weber.com ®.		

DEPANNAGE DU BRULEUR LATERAL

PROBLEME	VERIFICATION	SOLUTION
Le brûleur latéral ne s'allume pas.	L'arrivée de gaz est-elle fermée ? Le dispositif de sécurité limitant le débit de gaz en excès, qui fait partie du raccord entre le barbecue et la bouteille de gaz, s'est peut-être activé.	Ouvrez l'arrivée de gaz. Pour réinitialiser le dispositif de sécurité en cas de débit de gaz en excès, fermez la valve de la bouteille de PL et tournez tous les boutons de commande du brûleur en position FERMEE (OFF). Ouvrez les couvercles du grill et du brûleur latéral. Tournez lentement la valve de la bouteille de PL jusqu'à ce qu'elle soit complètement ouverte. Patientez plusieurs secondes puis allumez votre brûleur latéral. Voir "ALLUMAGE DU BRULEUR LATERAL."
La flamme est petite en position ELEVE.	Le tuyau d'alimentation en combustible est-il plié ou coincé ?	Redressez le tuyau.
L'allumage par bouton poussoir ne fonctionne pas.	Le brûleur s'allume-t-il avec une allumette ?	Si le brûleur s'allume avec une allumette, vérifiez l'allumeur (voir "MAINTENANCE DU BRULEUR LATERAL").
Si vous ne parvenez pas à résoudre les problèmes en utilisant ces méthodes, veuillez entrer en contact avec le Représentant du Service clientèle le plus proche grâce aux coordonnées à votre disposition sur notre site Internet. Connectez-vous sur www.weber.com ®.		

NETTOYAGE

⚠ **MISE EN GARDE : Fermez votre barbecue à gaz Weber® et attendez que celui-ci ait refroidi avant de le nettoyer.**

Surfaces externes — Utilisez une solution d'eau savonneuse chaude pour le nettoyage, ensuite rincez à l'eau.

⚠ **ATTENTION : N'utilisez pas de nettoyant pour four, de détergents abrasifs (détergents de cuisine), de détergents contenant des agrumes, ni des tampons de nettoyage abrasifs sur les surfaces du barbecue ou du chariot.**

Sortez le plateau de récupération des graisses amovible en le faisant glisser — Retirez la graisse en excès, puis lavez à l'eau savonneuse chaude, avant de rincer.

⚠ **ATTENTION : Ne recouvrez pas le plateau de récupération des graisses amovible de papier aluminium.**

Barres Flavorizer® et grilles de cuisson — Nettoyez-les avec une brosse en acier inoxydable adaptée. Si nécessaire, retirez-les du grill et lavez-les à l'eau savonneuse chaude, puis rincez-les à l'eau.

⚠ **ATTENTION : Les brosses du grill devraient être vérifiées régulièrement afin de détecter toute usure excessive. Remplacez la brosse si vous trouvez des brins métalliques sur la grille de cuisson ou sur la brosse. Weber recommande d'acheter une brosse neuve pour le nettoyage de la grille en acier inoxydable au début de chaque printemps.**

⚠ **ATTENTION : Ne nettoyez pas vos barres Flavorizer® ou vos grilles de cuisson dans un four auto-nettoyant.**

Pour connaître la disponibilité des grilles de cuisson et des barres Flavorizer® de rechange, veuillez entrer en contact avec le Représentant du Service clientèle de votre région grâce aux coordonnées à votre disposition sur notre site Internet. Connectez-vous sur www.weber.com.

Egouttoir — Nous proposons des plats en aluminium jetables, ou vous pouvez recouvrir l'égouttoir de papier aluminium. Pour nettoyer l'égouttoir, lavez-le à l'eau savonneuse chaude, puis rincez-le.

Thermomètre — Essayez-le avec de l'eau savonneuse chaude ; nettoyez-le avec une balle de plastique à récurer.

Boîtier de cuisson — Retirez tout débris en le brossant vers l'extérieur des tubes du brûleur. N'ELARGISSEZ PAS LES PORTS (OUVERTURES). Lavez l'intérieur du boîtier de cuisson à l'eau savonneuse chaude puis rincez à l'eau.

Intérieur du couvercle — Lorsque le couvercle est encore chaud, essuyez l'intérieur avec une serviette en papier pour empêcher toute accumulation de graisse. Les éclats de graisse accumulés ressemblent à des éclats de peinture.

Surfaces en acier inoxydable — Lavez les surfaces avec un chiffon doux et une solution d'eau savonneuse. Veillez à frotter dans le sens du grain de l'acier inoxydable.

N'utilisez pas de produits de nettoyage contenant de l'acide, des alcools minéraux, ou du xylène. Rincez bien une fois le nettoyage terminé.

Préservez votre acier inoxydable — Votre grill ou son placard, son couvercle, son panneau de commandes ainsi que ses étagères peuvent être en acier inoxydable. Préserver l'aspect optimal de l'acier inoxydable n'est pas compliqué. Nettoyez à l'eau savonneuse, rincez à l'eau claire, et essuyez pour sécher. Pour les particules tenaces, vous pouvez utiliser une brosse non métallique.

⚠ **IMPORTANT : N'utilisez pas de brosse métallique ni de détergents abrasifs sur les surfaces en acier inoxydable de votre grill car ceci le rayerait.**

⚠ **IMPORTANT : Lorsque vous nettoyez les surfaces assurez-vous de frotter/essuyer dans le sens du grain pour préserver l'aspect de votre acier inoxydable. ♦**

GRILLES ANTI-ARAIGNÉES/INSECTES WEBER®

Votre barbecue à gaz Weber®, comme tout appareil à gaz d'extérieur, constitue une cible pour les araignées et les autres insectes. Ceux-ci peuvent faire leur nid dans la section des venturi (1) des tubes du brûleur. Ceci bloque le débit normal du gaz, et risque de provoquer le retour du gaz à l'extérieur de l'ouverture destinée à l'air nécessaire à la combustion. Ceci pourrait entraîner un incendie à l'intérieur et autour des ouvertures destinées à recevoir l'air nécessaire à la combustion, au-dessous du panneau de commandes, provoquant une détérioration grave de votre barbecue.

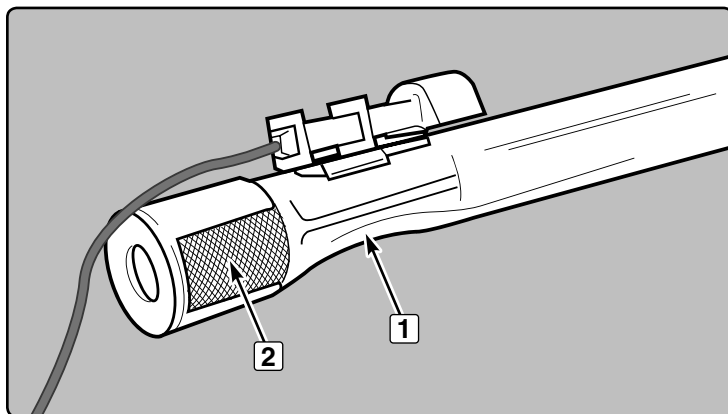
L'ouverture destinée à recevoir l'air nécessaire à la combustion est protégée par une grille en acier inoxydable (2) afin d'empêcher les araignées et les autres insectes d'accéder aux tubes du brûleur à travers les ouvertures de circulation de l'air nécessaire à la combustion.

Mous vous recommandons d'inspecter les grilles anti-araignées/insectes au moins une fois par an. (Voir la Section "MAINTENANCE ANNUELLE.") Veuillez également inspecter et nettoyer les grilles anti-araignées/insectes si l'un des symptômes suivant se produisait :

- A) Une odeur de gaz est émise et en même temps les flammes du brûleur semblent jaunes et peu vigoureuses.
- B) Le barbecue n'atteint pas la température.
- C) Le barbecue ne chauffe pas de façon homogène.
- D) Un ou plusieurs brûleurs ne s'allument pas.

⚠ DANGER

Le fait de ne pas corriger les symptômes mentionnés ci-dessus pourrait entraîner un incendie, susceptible de provoquer une blessure grave ou la mort et des dommages à la propriété. ♦



NETTOYAGE OU REMPLACEMENT DES TUBES DU BRULEUR

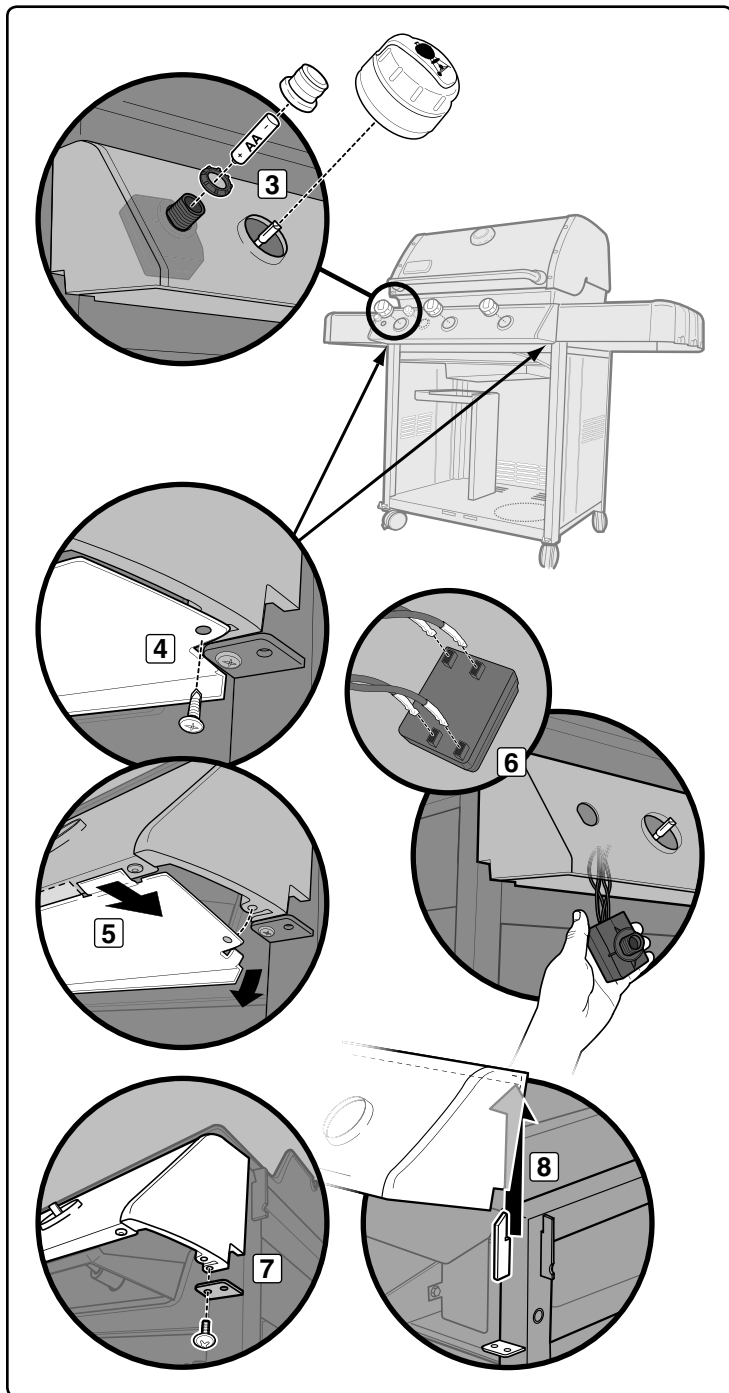
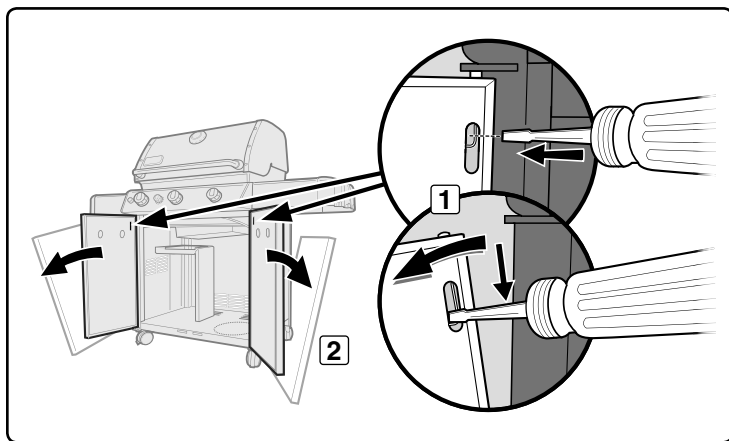
Il vous faudra : un tournevis cruciforme, un tournevis à tête plate, et une clé à écrou de 5/16".

- A) Votre barbecue à gaz Weber® doit être ETEINT et refroidi.
- B) FERMEZ le gaz à la source.
- C) Retirez les composants du boîtier de cuisson - grille de maintien au chaud, grilles et barres Flavorizer®. (Les plaques de diffusion de la chaleur n'ont pas besoin d'être retirées.)

Retrait du Panneau de Commande

Pour retirer le panneau de commande :

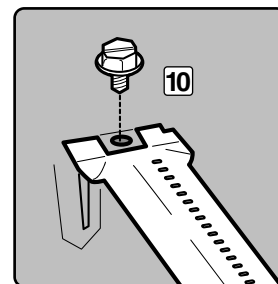
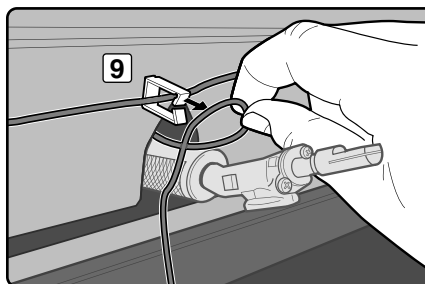
- A) Localisez le dégagement de l'épingle de porte dans l'assemblage de la porte. A l'aide d'un tournevis, enfoncez le dégagement de l'épingle de porte (1) jusqu'à ce que la porte se détache de l'assemblage du cadre (2). Retirez la partie supérieure de la porte en la tirant pour l'éloigner de l'assemblage du cadre (2) et soulevez la porte pour la retirer de l'épingle à gonds ajustable inférieure.
- B) Retirez les boutons de commande, le bouton de l'allumeur, l'écrou de rétention de l'allumeur ainsi que la pile (3).
- C) Retirez les vis du déflecteur de vent (4) situé au-dessous du panneau de commande à l'aide d'un tournevis cruciforme.
- D) Inclinez l'extrémité du déflecteur de vent vers le bas puis faites-le glisser vers l'extérieur pour le retirer (5).
- E) Retirez le module de l'allumeur du panneau de commande (6) puis retirez la totalité des quatre fils du module.
- F) Retirez les vis du dessous du panneau de commande avec le tournevis cruciforme (7).
- G) Soulevez légèrement le panneau de commande, inclinez l'extrémité avant vers le haut puis soulevez-le doucement vers le haut pour le retirer (8).



Retrait du Tube du Brûleur

Pour retirer le(s) tube(s) du brûleur :

- Retirez le(s) fil(s) de la ou des pince(s) de l'allumeur (9).
 - Retirez la vis qui retient le tube du brûleur contre le boîtier de cuisson à l'aide d'une clé à écrou de 5/16" (10).
 - Tirez sur l'ensemble du tube du brûleur (ceci comprend l'allumeur) vers le haut puis à l'extérieur du boîtier de cuisson (11).
- Remarque : 310 unités auront un câble de raccordement à la terre supplémentaire fixé au tube du brûleur central (12).



Nettoyage du Tube du Brûleur

Pour nettoyer le(s) tube(s) du brûleur :

- Regardez à l'intérieur de chaque brûleur avec une lampe torche (13).
- Nettoyez l'intérieur des brûleurs avec un fil de fer (14) (un cintre déplié fonctionnera).
- Vérifiez et nettoyez l'orifice de l'obturateur d'air aux extrémités des brûleurs. Vérifiez et nettoyez les orifices de la valve à la base de chaque valve. Utilisez une brosse en fils d'acier pour nettoyer l'extérieur des brûleurs (15). Ceci a pour but de vous assurer que les ports du brûleur sont complètement ouverts.

⚠ ATTENTION : N'élargissez pas les ports du brûleur pendant que vous les nettoyez.

Réinstallation du Tube du Brûleur

Pour réinstaller le tube du brûleur :

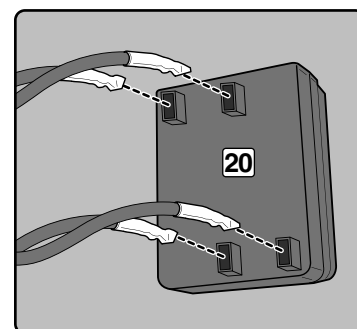
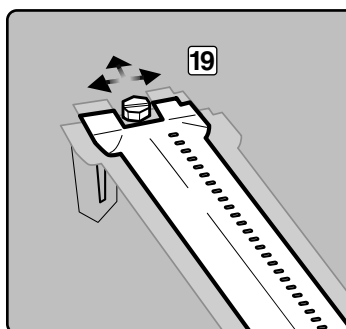
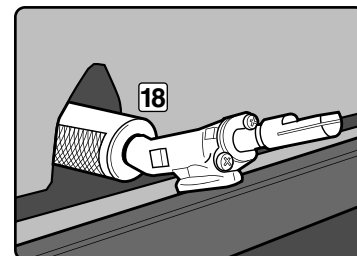
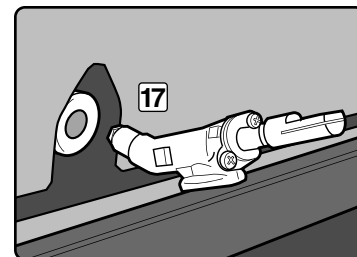
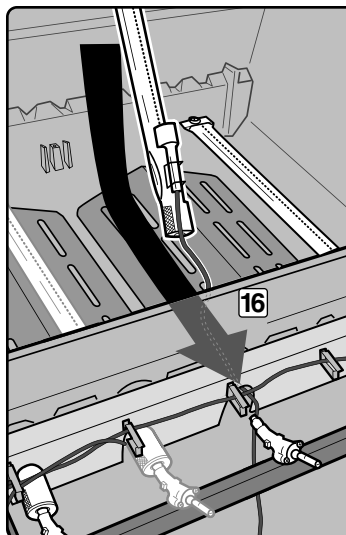
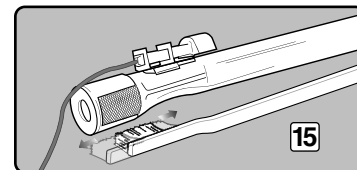
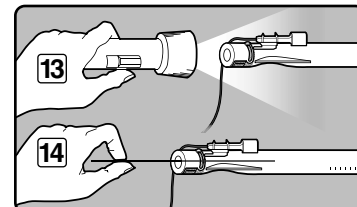
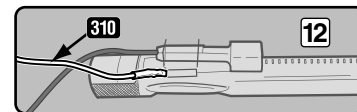
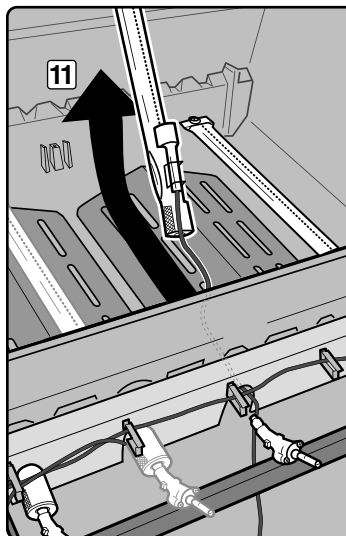
- Faites glisser le tube du brûleur et le câble de l'allumeur à travers le trou dans le boîtier de cuisson (16). Voir "UTILISATION DES SYSTEMES D'ALLUMAGE ELECTRONIQUES" pour la position correcte du brûleur.
- Alignez le tube du brûleur en face de la valve.
- ⚠ ATTENTION : Les ouvertures du brûleur (17) doivent être correctement positionnées au-dessus des orifices des valves (18).**
- Remettez en place les vis qui maintiennent le tube du brûleur contre le boîtier de cuisson à l'aide d'un tournevis plat. Le tube du brûleur peut sembler desserré (19) alors que la vis est ajustée. Ceci est normal.
- Faites passer les fils à nouveau à travers les pinces de l'allumeur. Voir le schéma (9).

⚠ ATTENTION : Tous les fils doivent être correctement orientés à travers les pinces prévues pour maintenir les fils.

- Fixez les fils au module, en respectant le codage numérique/par couleur (20). Voir "UTILISATION DU SYSTEME D'ALLUMAGE ELECTRONIQUE" pour la fixation correcte des fils.

⚠ MISE EN GARDE: Après avoir réinstallé les tuyaux à gaz, procédez à la détection de fuites éventuelles à l'aide d'une solution savonneuse avant d'utiliser le grill barbecue. (Voir étape: "DETECTION DES FUITES DE GAZ.")

⚠ MISE EN GARDE : Assurez-vous que toutes les pièces sont assemblées et que la quincaillerie est complètement serrée avant d'utiliser le grill. Vos actions, si vous ne respectez pas cette Mise en garde concernant le produit, peuvent provoquer un incendie, une explosion, ou une défaillance structurelle entraînant une blessure grave voire un décès ainsi que des dégâts matériels. ♦



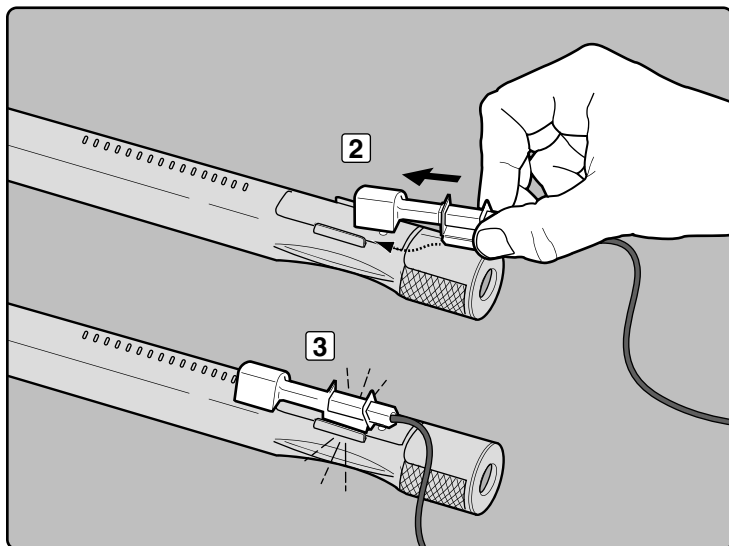
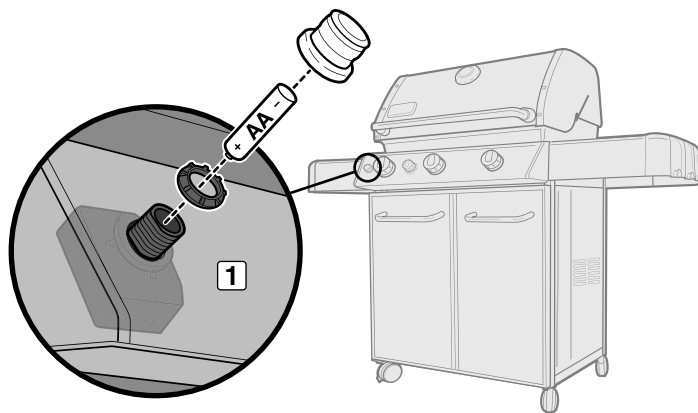
UTILISATION DU SYSTEME D'ALLUMAGE ELECTRONIQUE

Si le Système d'allumage électronique n'allume pas le brûleur, assurez-vous que le gaz circule bien en essayant d'allumer vos brûleurs avec une allumette. Voir "ALLUMAGE MANUEL DU BRULEUR PRINCIPAL". Si l'allumage avec une allumette réussit, le problème réside dans l'allumage électronique.

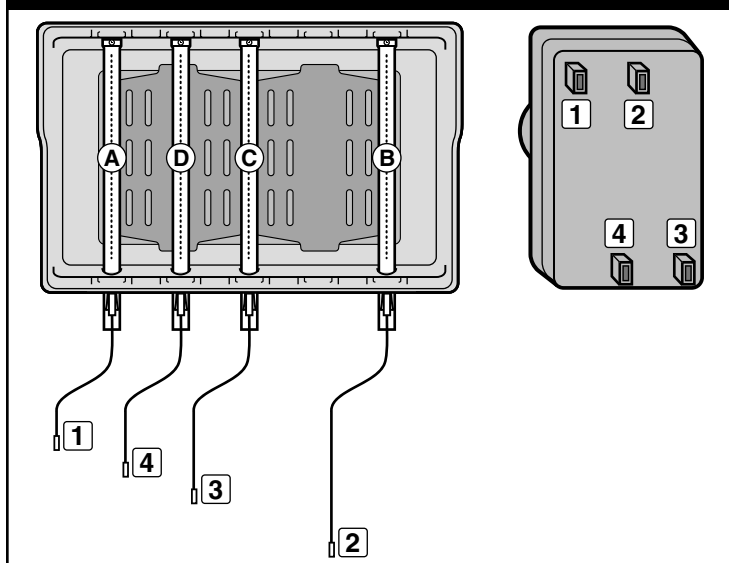
⚠ MISE EN GARDE : La totalité des commandes de gaz et des valves d'arrivée de gaz devrait être en position FERMEE (OFF).

- Vérifiez que la pile AA (alcaline uniquement) est en bon état et qu'elle est installée correctement (1). Certaines piles sont emballées dans un plastique de protection. Ce plastique doit être retiré. Ne confondez pas ce plastique avec l'étiquette de la pile.
- Assurez-vous que les câbles d'allumage sont correctement fixés sur le module de l'allumeur. Voir le "GUIDE DE CABLAGE DU MODULE DE L'ALLUMEUR" ci-dessous.
- Assurez-vous que l'assemblage de l'allumeur céramique est complètement positionné à l'intérieur du canal de l'allumeur du tube du brûleur (2). Si le positionnement est correct, vous entendrez un déclic (3).
- Assurez-vous que le bouton de l'Allumage électronique fonctionne en écoutant et en regardant pour détecter les étincelles au niveau du brûleur.

Si le Système d'allumage électronique ne s'allume toujours pas, contactez le représentant du Service clientèle de votre région à l'aide des coordonnées à votre disposition sur notre site Internet. Connectez-vous sur www.weber.com®. ♦



GUIDE DE CABLAGE DU MODULE DE L'ALLUMEUR 330



Couleur extrémité de câble & terminal	Tube du brûleur
Noir (1)	Brûleur gauche (A)
Jaune (2)	Brûleur droit (B)
Bleu (3)	Brûleur central (C)
Vert (4)	Brûleur Sear (D)

MAINTENANCE DU BRULEUR LATÉRAL

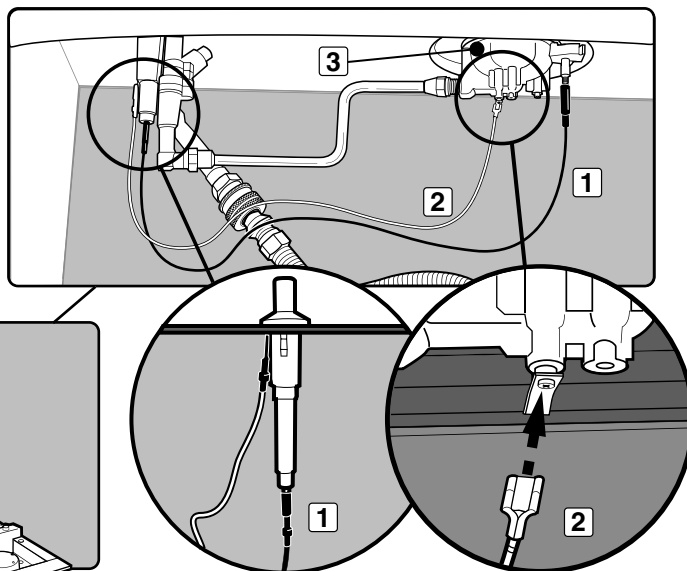
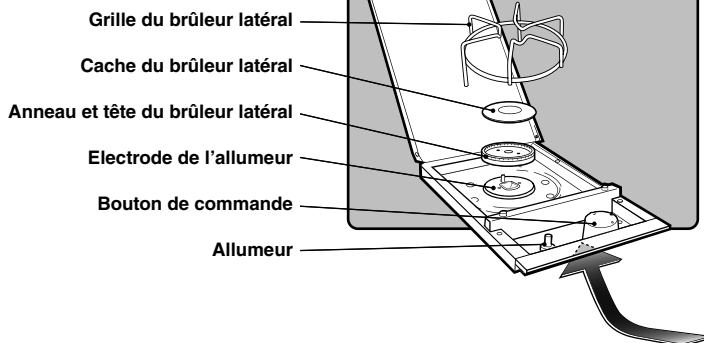
⚠ MISE EN GARDE: La totalité des commandes de gaz et des valves d'alimentation devraient être positionnées sur ARRÊTÉ.

Assurez-vous que le câble noir est branché entre l'allumeur et l'électrode.

Assurez-vous que le câble blanc est branché entre l'allumeur et la pince de raccordement à la terre.

L'étincelle devrait être blanche/bleue, pas jaune.

- A) Câble de l'allumeur (1)
- B) Câble de raccordement à la terre (2)
- C) Brûleur (3) ♦



MAINTENANCE ANNUELLE

Inspection et Nettoyage de la Grille Anti-Araignées/Insectes

Pour inspecter les grilles anti-araignées/insectes, retirez le panneau de commandes. En cas de présence de poussière ou d'impuretés sur les grilles, retirez les brûleurs pour nettoyer les grilles.

Brossez légèrement les grilles anti-araignées/insectes avec une brosse à poils souples (par exemple, une vieille brosse à dents).

⚠ ATTENTION : Ne nettoyez pas les grilles anti-araignées/insectes à l'aide d'ustensiles durs ou coupants. Ne délogez pas les grilles-anti-araignées/insectes de leurs emplacements et n'élargissez pas les ouvertures des grilles.

Tapotez légèrement le brûleur pour faire sortir les débris et les impuretés du tube du brûleur. Une fois que les grilles anti-araignées/insectes sont propres, remettez les brûleurs en place.

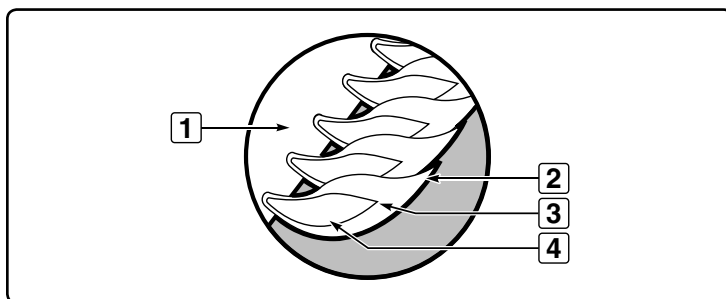
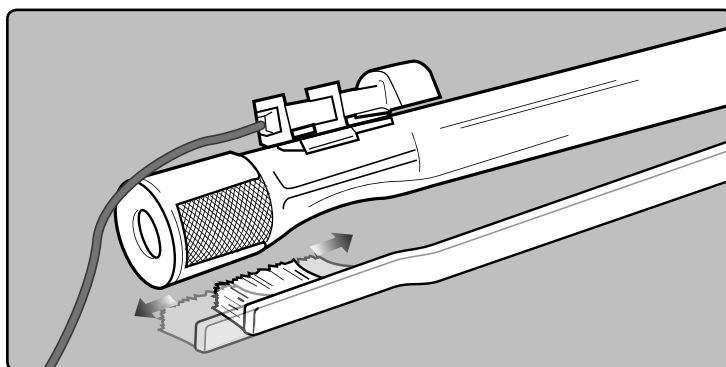
Si une grille anti-araignées/insectes se détériore ou ne peut pas être nettoyée, veuillez entrer en contact avec le Représentant du Service clientèle le plus proche à l'aide des coordonnées à votre disposition sur notre site Internet. Connectez-vous sur www.weber.com.

Aspect des Flammes du Brûleur

Les brûleurs du barbecue à gaz Weber® ont été paramétrés en usine pour recevoir le mélange d'air et de gaz correct. L'aspect correct de la flamme est présenté sur l'illustration et décrit ci-dessous :

- A) Tube du brûleur (1)
- B) Les extrémités flamboient de temps en temps en jaune (2)
- C) Bleu clair (3)
- D) Bleu foncé (4)

Si les flammes ne semblent pas uniformes tout au long du tube du brûleur, suivez les procédures de nettoyage du brûleur. ♦



⚠ ATTENTION : Ce produit a fait l'objet de tests de sécurité et est certifié pour une utilisation dans un pays particulier uniquement. Vérifiez la désignation de pays située sur le carton d'emballage.

Ces pièces peuvent contenir du gaz ou être des éléments dont la combustion produit du gaz. Veuillez consulter le Service clientèle de Weber-Stephen Products LLC pour des renseignements sur les pièces de rechange originales de Weber-Stephen Products LLC.

⚠ MISE EN GARDE : Ne tentez pas d'effectuer des réparations sur des éléments contenant du gaz ou sur des éléments dont la combustion produit du gaz sans contacter le service clientèle de Weber-Stephen Products LLC. Si vous ne suivez pas la présente Mise en garde relative au produit, vos actions risquent de provoquer un incendie ou une explosion entraînant des blessures physiques graves voire un décès ainsi que des dégâts matériels.



WEBER-STEPHEN PRODUCTS LLC

www.weber.com[®]



THE WEBER® GAS GRILL COOKBOOK

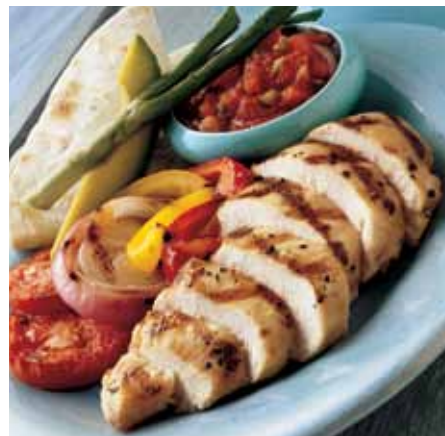
16 great recipes, 1 great grill

LE LIVRE DE RECETTE, POUR BARBECUE A GAZ WEBER®

16 recettes merveilleux, 1 gril fantastique

LIBRO DE COCINA PARA BARBACOAS Ó ASADORES DE GAS DE WEBER®

16 grandiosas recetas, 1 gran barbacoa ó asador



CONTENTS

Thank you for choosing Weber! We hope you enjoy many years of faithful service from your grill. We're pleased to present you with this cookbook full of Weber's tried-and-true grilling recipes. Each recipe in this book includes the grilling method and heat setting to use on your Weber® gas grill. The charts in this book will be a helpful, easy reference.

If these recipes whet your appetite for more, visit our web site at www.weber.com®. We're always serving up something new. Or call us on our toll-free number, 1-800-446-1071. Our customer service center is open around-the-clock to answer all your questions. Best wishes and happy grilling!

WEBER GRILLING BASICS: WHAT YOU NEED TO KNOW

All good cooks have a few secrets they like to keep to themselves. Not us—we like to share them! We think the keys to our success should be yours as well. Here's the inside scoop to help you get the best results:

To start your gas grill: Open the lid. Check that all burner control knobs are turned to OFF and that your fuel tank is not empty. Turn the gas supply on at the source. Light the grill according to the directions in the owner's manual. Close the lid and preheat the grill until the thermometer reaches

500°F to 550°F. This will take about 10 minutes. To grill, adjust burner controls as the recipe directs.

Grilling temperatures: At the top of each recipe, we indicate the requisite cooking method (direct or indirect) and temperature level (high, medium, or low). Note that a grill set up for indirect cooking can accommodate both methods (just move the food directly over the fire for direct cooking). Where searing is particularly important to the texture or flavor, we note that as well (e.g., Sear: High, Cook: Indirect Medium).

Keep the lid down! Without a doubt, the most important grilling rule. Lifting the lid allows heat to escape, increasing your grilling time. A closed lid also reduces the chance of flare-ups (and closing the lid extinguishes them quickly). Open the grill only to turn foods as indicated in the recipes. More poking and flipping won't make it taste better, trust us.

GRILLING & FOOD SAFETY

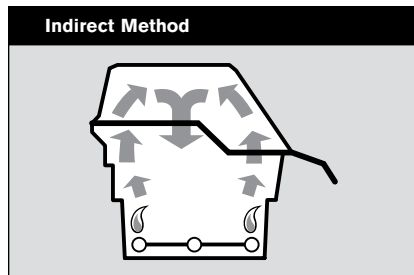
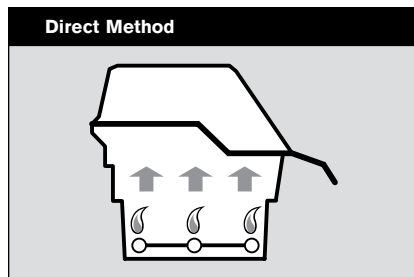
- » Trim excess fat from steaks, chops and roasts, leaving no more than a scant 1/4 inch of fat. Less fat is a virtual guarantee against unwanted flare-ups.
- » If an unwanted flare-up should occur, turn all burners to OFF and move food to another area of the cooking grate. Any flames will quickly subside. After flames

subside, relight the grill. NEVER USE WATER TO EXTINGUISH FLAMES ON A GAS GRILL.

- » Do not line the funnel-shaped bottom tray with foil. This could prevent the grease from flowing into the grease catch pan.
- » Make sure the bottom tray and grease catch pan are always clean and free from debris.
- » Grills radiate a lot of heat, so always keep the grill at least 2 feet from any combustible materials, including the house, garage, deck rails, etc. Never use a grill indoors or under a covered patio.
- » When you're finished grilling, turn off the burners and the LP tank or source.
- » Wash hands thoroughly with hot, soapy water before starting any meal preparation and after handling fresh meat, fish, and poultry.
- » Defrost meat, fish, and poultry only in the refrigerator, never at room temperature.
- » Never spray or brush oil on a hot cooking grate. Oil the food instead.
- » Never place cooked food on the same platter that the raw food was placed on.
- » Vigorously boil marinades that were used for raw meats, fish, or poultry for 10 seconds before using as a baste or sauce.

GRILLING METHODS

The most important thing to know about grilling is which cooking method to use for a specific food, direct or indirect. The difference is simple: place the food directly over the heat, or arrange the heat on either side of it. Using the right method is the shortest route to great results—and the best way to ensure doneness safety.



Direct Method

The direct method, similar to broiling, means the food is grilled directly over the heat source. For even grilling, food should be turned once.

The direct method is best for relatively small, tender pieces of food that cook quickly, such as hamburgers, steaks, chops, boneless chicken pieces, fish fillets, shellfish, and sliced vegetables. Direct grilling is also necessary to sear meats. Searing creates that wonderful crisp, caramelized texture where the food hits the grate. It also adds great color and flavor to the entire surface. Steaks, chops, chicken breasts, and larger cuts of meat all benefit from searing.

To sear meats, place them over direct high heat for 2 to 5 minutes per side. Smaller pieces require less searing time. Usually after searing you finish grilling the food at a lower temperature. You can finish grilling fast-cooking foods by the direct method; use the indirect method for longer-cooking foods.

To set up your gas grill for direct grilling, preheat the grill with all burners on high. Place food on the cooking grate, then adjust all burners to the temperature noted in the recipe. Close the lid of the grill and lift it only to turn food or to test for doneness at the end of the recommended cooking time.

Indirect Method

The indirect method is similar to roasting, but with the added benefits of that grilled texture, flavor, and appearance you can't get from an oven. To set up your gas grill for indirect cooking, burners are lit on either side of the food but not directly beneath it. Heat rises, reflects off the lid and inside surfaces of the grill, and circulates to slowly cook the food evenly on all sides, much like a convection oven, so there's no need to turn the food.

The indirect method is best for larger, tougher foods that require longer cooking times, such as roasts, whole chickens, and ribs.

To set up your gas grill for indirect grilling, preheat the grill with all burners on high. Then adjust the burners on each side of the food to the temperature noted in the recipe and turn off the burner(s) directly below the food. For best results, place roasts, poultry, or large cuts of meat on a roasting rack set inside a disposable heavy-gauge foil pan. For longer cooking times, add water to the drip pan to keep drippings from burning. The drippings can be used to make gravies or sauces.



Three-Pepper Steak

THREE-PEPPER STEAK

Sear: High, Cook: Indirect High

- 6 steaks, about 1-1/2" thick
- 2 teaspoons black peppercorns
- 2 teaspoons white peppercorns
- 2 teaspoons Szechwan peppercorns
- 1/8 teaspoon ground allspice

Trim excess fat from steaks and discard fat. Coarsely crush peppercorns; mix peppercorns and allspice. Rub peppercorn mixture onto both sides of steaks. Refrigerate steaks, covered, 1 to 2 hours. Allow the meat to stand at room temperature for 20 to 30 minutes before grilling. Sear steaks over **direct high** heat for 4 minutes, turning once. Continue grilling over **indirect medium** heat for 6 to 8 minutes for medium-rare doneness. Remove from the grill and let rest for 3 to 5 minutes. Serve warm.

Makes 6 servings.



MARINATED FLANK STEAK

Direct Medium-High

For the marinade:

- 1/2 cup olive oil
- 1/3 cup soy sauce
- 1/4 cup red wine vinegar
- 2 tablespoons lemon juice
- 1 tablespoon Worcestershire sauce
- 1 teaspoon dry mustard
- 1 clove garlic, minced
- 1/4 teaspoon freshly ground black pepper

- 1 flank steak,
about 1-1/2 pounds and 3/4" thick

To make the marinade: Combine marinade ingredients in a shallow, non-metal container. Place steak in marinade turning to coat completely. Marinate covered in the refrigerator for at least 4 hours or overnight.

Remove steak from marinade and discard the marinade. Allow the steak to stand at room temperature for 20 to 30 minutes before grilling. Grill over **direct medium-high** heat until medium rare, 8 to 10 minutes, turning once. Remove from the grill and let rest for 3 to 5 minutes. Cut steak diagonally across the grain into thin slices before serving.

Makes 4 servings.



SAVORY HERBED STEAK

Sear: High, Cook: Indirect High

- 4 steaks, about 1-1/2" thick
- Extra-virgin olive oil
- 1-1/2 teaspoons dried basil leaves
- 1 teaspoon dried tarragon leaves
- 1 teaspoon dried chives
- 4 cloves garlic, minced

Trim excess fat from steaks and discard fat. Brush or spray steaks on both sides with oil. Combine herbs and garlic; mash with fork to form a paste. Rub herb mixture onto both sides of steaks. Refrigerate steaks, covered, 1 to 2 hours. Allow the meat to stand at room temperature for 20 to 30 minutes before grilling. Sear steaks over **direct high** heat for 4 minutes, turning once. Continue grilling over **indirect medium** heat for 6 to 8 minutes for medium-rare doneness. Remove from the grill and let rest for 3 to 5 minutes. Serve warm.

Makes 4 servings.



BABY BACK RIBS WITH SPICED APPLE-CIDER MOP

Indirect Low
from *Weber's Big Book of Grilling™*

For the mop:

- 2 cups apple cider
- 1/4 cup minced shallots
- 1 tablespoon minced jalapeño pepper, seeds removed
- 1/4 cup ketchup
- 2 tablespoons white wine vinegar
- 2 tablespoons tomato paste
- 1 tablespoon dark brown sugar
- 1/4 teaspoon kosher salt
- 1/4 teaspoon freshly ground black pepper

- 2 to 3 slabs baby back pork ribs, about 4 pounds
- Kosher salt
- Freshly ground black pepper

To make the mop: In a small saucepan combine the apple cider, shallots, and jalapeño. Bring to a boil and cook over medium-high heat until about 1 cup of the liquid remains, 15 to 20 minutes. Add the remaining mop ingredients, bring to a boil, and remove from the heat. (The mop may be made ahead and refrigerated until ready to use.)

Allow the ribs to stand at room temperature for 20 to 30 minutes before grilling. Season with salt and pepper. Grill, rib side down, over **indirect low** heat until the meat is very



Baby Back Ribs with Spiced Apple-Cider Mop

tender and has pulled back from the ends of the bones, 1-1/2 to 2 hours. Baste the ribs frequently with the mop throughout grilling time, but stop basting during the last 10 minutes. Remove from the grill and allow to rest for 5 to 10 minutes before slicing into individual ribs. Serve warm.

Makes 4 servings.





Spicy Lamb Kabobs

SPICY LAMB KABOBS

Direct Medium

For the marinade:

- 1/2 cup olive oil
- 1/4 cup red wine vinegar
- 1 tablespoon lemon juice
- 2 tablespoons grated orange rind
- 1 green onion and top, chopped
- 1/4 teaspoon ground cinnamon
- 1/8 teaspoon ground cloves

- 2 pounds lean lamb,
cut into 1-1/2" cubes

To make the marinade: Combine the marinade ingredients in a shallow, glass baking dish or plastic bag. Add the lamb. Refrigerate, covered, 4 to 6 hours. Drain lamb; reserve marinade. Pour reserved marinade into a small sauce pan. Bring to a boil over high heat and boil for 10 seconds.

Arrange lamb on 4 to 6 skewers. Grill lamb over **direct medium** heat to medium doneness, about 10 minutes, turning and basting with the reserved marinade once. Serve warm.

Makes 4 to 6 servings.



LEG OF LAMB

Indirect Medium

- 1 leg of lamb, boned, rolled and tied,
5 to 6 pounds
- 2 cloves garlic, cut into 8 slivers
- Olive oil
- 1 tablespoon grated lemon peel
- 3/4 teaspoon salt
- 1 teaspoon dried rosemary leaves
- 1/4 teaspoon freshly ground black pepper

Using a small pointed knife make 8 small slits in surface of leg of lamb. Insert a sliver of garlic into each slit. Brush roast with oil. Sprinkle lemon peel, salt, rosemary, and pepper over top. Grill over **indirect medium** heat, about 2-1/2 hours, for medium doneness 160°F (71°C). Remove from the grill and let rest for 5 to 10 minutes. Remove the twine. Cut the lamb crosswise into 1/4-inch slices and serve warm.

Makes 10 to 12 servings.



RACK OF LAMB

Sear: Medium, Cook: Indirect Medium

- 1 cup fresh bread crumbs
- 1/4 cup snipped parsley
- 1/2 teaspoon salt
- 1/4 teaspoon freshly ground black pepper

- 2 racks of lamb, 1 to 1-1/2 pounds each
- 2 tablespoons Dijon mustard
- 2 tablespoons melted butter
- 1 clove garlic, crushed

In a small bowl combine the bread crumbs, parsley, salt, and pepper.

Allow the lamb to stand at room temperature 20 to 30 minutes before grilling. Sear lamb racks, fat side down, over **direct medium** heat for 5 minutes. Remove from grill. Spread 1 tablespoon of the mustard over each lamb rack. Sprinkle the bread crumb mixture evenly over the lamb racks. Combine melted butter and garlic and drizzle on top. Continue grilling over **indirect medium** until medium rare, 145°F (63°C), about 20 minutes. Remove from the grill and let rest for 5 minutes before cutting into chops. Serve warm.

Makes 4 servings.



PECAN-STUFFED PORK CHOPS

Sear: Direct High, Cook: Indirect Medium

For the stuffing:

- 1/2 cup coarsely chopped pecans
- 1/4 cup sliced green onions and tops
- 1/4 cup chopped green pepper
- 3 tablespoons butter
- 1/4 teaspoon dried rosemary leaves
- 1/8 teaspoon white pepper
- 2 cups cubed stale whole wheat bread (1/2" cubes)
- 1/3-1/2 cup chicken broth

- 6 pork loin chops with pockets for stuffing, 1-1/2" thick

To make the stuffing: In a small frying pan, sauté pecans, onions and green pepper in butter until onions are tender; stir in rosemary and pepper and sauté 1 minute longer. Combine pecan mixture and bread cubes in medium bowl; toss with enough chicken broth just to moisten.

Spoon stuffing into pockets of pork chops and secure edges with wooden picks. Allow chops to stand at room temperature for about 20 minutes before grilling. Sear chops over **direct high** heat for 6 minutes, turning once. Continue grilling over **indirect medium** heat until no longer pink in the center, 12 minutes turning once. Remove from the grill and let rest for 3 to 5 minutes.



Rack of Lamb

Remove wooden picks before serving.

Makes 6 servings.





Ricotta Chicken

RICOTTA CHICKEN

Indirect Medium

- 1 whole chicken, 4 to 5 pounds
- 12 ounces ricotta cheese
- 1/3 cup grated Parmesan cheese
- 1 egg
- 1-1/4 teaspoon dried basil leaves, divided
- 3/4 teaspoon dried tarragon leaves, divided
- 2 tablespoons minced parsley

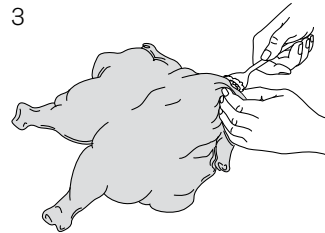
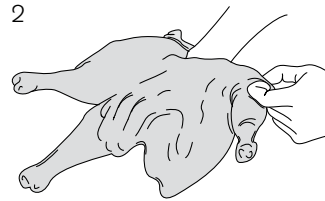
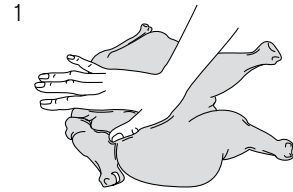
- 1 large clove garlic, minced
- Olive oil
- 1/4 teaspoon paprika

With poultry shears, cut along both sides of backbone the entire length of chicken. Remove whole backbone and tail. Skewer neck skin to back. Twist wing tips under back.

1. Place chicken, skin side up, on counter; press down on chicken with palms of hands to “pop” bones so that chicken will lie flat. **2.** Using a sharp paring knife and your fingers, loosen skin over top of chicken and drumsticks starting at neck edge. Be careful not to tear or cut the skin. Mix ricotta, Parmesan cheese, egg, 1 teaspoon of the basil, 1/2 teaspoon of the tarragon, parsley, and garlic. **3.** Carefully spoon cheese mixture under skin of chicken, pressing with your fingers to distribute evenly over the chicken and drumsticks. Brush chicken lightly with oil; sprinkle with the remaining 1/4 teaspoon basil, 1/4 teaspoon tarragon, and the paprika.

Place chicken, skin side up, on cooking grate. Grill over **indirect medium** heat until chicken legs move easily and skin is well browned, 1-1/4 to 1-1/2 hours. Transfer chicken to a cutting board; rest for 10 minutes. Cut into quarters, cutting lengthwise and crosswise. Reassemble chicken on serving platter.

Makes 4 servings.



CHICKEN FAJITAS

Direct Medium

For the marinade:

- 1/4 cup olive oil
- 3 tablespoons fresh lime juice
- 2 tablespoons red wine vinegar
- 2 tablespoons finely chopped onion
- 1 clove garlic, minced
- 1/2 teaspoon sugar
- 1/2 teaspoon dried oregano leaves
- 1/4 teaspoon salt
- 1/4 teaspoon freshly ground black pepper
- 1/8 teaspoon ground cumin

- 6 boneless, skinless chicken breast halves, about 6 ounces each
- 1 red onion, cut into 1/2" slices
- 4 plum tomatoes, cut into 1/2" slices
- 1 red or yellow bell pepper, stem and seeds removed and cut into quarters
- 6 large flour tortillas
- 1 avocado, sliced
- Salsa

To make the marinade: In a shallow, non-metal container combine the marinade ingredients. Add chicken to the marinade, turning to coat each side. Cover and refrigerate for 4 hours, turning occasionally.

Remove chicken breasts from the marinade and discard the marinade. Grill the chicken breasts, onion slices, tomato slices, and bell pepper quarters over **direct medium** heat until the meat is no longer pink and the vegetables are tender, turning once. The chicken and onion will take 8 to 12 minutes and the tomato and bell pepper will take 6 to 8 minutes. Wrap tortillas in foil and place on cooking grate. Heat for about 1 minute. Cut the bell pepper into strips and slice the chicken. Place chicken, onion, tomatoes, bell pepper and avocado in warm tortillas and roll up to eat. Serve with salsa.

Makes 6 servings.



Chicken Fajitas



Weber Tip

If a sauce will be brushed on meat during grilling, divide the sauce, using one part for brushing and the other for serving at the table. Vigorously boil marinades that were used for raw meats, fish, or poultry for 10 seconds before using as a baste or sauce.



Sea Bass with Roasted Pepper Vinaigrette

SEA BASS WITH ROASTED PEPPER VINAIGRETTE

Direct High
from www.weber.com®

For the vinaigrette:

- 3 bell peppers, preferably red, yellow, and orange
- 3 tablespoons extra-virgin olive oil
- 2 tablespoons fresh orange juice
- 2 tablespoons finely chopped Italian parsley
- 1 tablespoon fresh lemon juice
- 1/2 teaspoon minced garlic
- 1/2 teaspoon ground cumin
- 1/4 teaspoon kosher salt
- 1/4 teaspoon freshly ground black pepper
- 1/4 teaspoon Tabasco sauce

- 4 skinless sea bass fillets, about 6 ounces each and 1 inch thick
- Extra-virgin olive oil
- Kosher salt
- Freshly ground black pepper

To make the vinaigrette: Grill the bell peppers over **direct high** heat until the skins are evenly charred on all sides, 10 to 12 minutes, turning every 3 to 4 minutes. Remove from the grill and place in a paper bag; close tightly. Let stand 10 to 15 minutes to steam off the skins. Remove the peppers from the bag and peel away the charred skins. Cut off the tops and remove the seeds. Cut the

peppers into 1/4-inch strips and set aside. In a medium bowl, whisk together the remaining vinaigrette ingredients. Add the peppers and set aside for as long as 1 day.

Lightly brush or spray the fish fillets with olive oil. Season them with salt and pepper to taste. Grill over **direct high** heat until the flesh is opaque in the center, 5 to 7 minutes, turning once. Remove from the grill and serve warm with the roasted pepper vinaigrette spooned over the top.

Makes 4 servings.



SHRIMP KABOBS WITH CURRY BUTTER

Direct High

For the curry butter:

- 1/2 cup butter
- 2 tablespoons finely chopped onion
- 1 teaspoon snipped fresh dill
- 1 to 1-1/2 teaspoons curry powder
- Dash garlic powder

- 16 to 20 jumbo shrimp
(1-1/2 to 2 pounds),
peeled and deveined
- Olive oil
- Lime or lemon wedges
- Fresh dill or parsley sprigs

To make the curry butter: Melt the butter in a small pan over medium-high heat. Stir in onion, dill, curry powder, and garlic powder; cook 5 minutes.

Thread shrimp on skewers, leaving space between pieces. Lightly brush or spray the shrimp with olive oil. Grill over **direct high** heat until the shrimp turn pink and are tender, 2 to 5 minutes, turning and brushing with the curry butter once. Arrange shrimp on serving plate. Garnish with lime wedges and dill.

Makes 4 servings.



SALMON STEAK KYOTO

Direct High

For the marinade:

- 1/3 cup soy sauce
- 1/4 cup orange juice concentrate
- 2 tablespoons olive oil
- 2 tablespoons tomato sauce
- 1 teaspoon lemon juice
- 1/2 teaspoon prepared mustard
- 1 tablespoon spring onion and top,
minced
- 1 clove garlic, minced
- 1/2 teaspoon minced ginger root

- 4 salmon steaks, about 1" thick
- Olive oil

To make the marinade: In a shallow, glass baking dish, combine the marinade ingredients. Add the salmon and turn to coat each side. Cover and refrigerate 30 to 60 minutes. Remove the salmon and reserve the marinade. Pour the reserved marinade into a small saucepan. Bring to a boil over high heat and boil for 10 seconds.

Lightly brush or spray the steaks all over with the oil. Grill over **direct high** heat until cooked to desired doneness, 6 to 8 minutes



Salmon Steak Kyoto

for medium-rare, turning once (make sure you leave the salmon grilling long enough on the first side so that it releases from the grate and is easy to turn). Serve warm.

Makes 4 servings.





Roasted Tomatoes Stuffed with Ratatouille

ROASTED TOMATOES STUFFED WITH RATATOUILLE

Direct Medium
from www.weber.com®

- 4 large, ripe tomatoes
- Kosher salt

For the stuffing:

- 1 medium red onion, cut crosswise into 1/3-inch slices
- 1 medium red bell pepper, stem and seeds removed, cut into flat pieces
- 1 medium zucchini, cut lengthwise in 1/3-inch slices
- Extra-virgin olive oil
- Freshly ground black pepper
- 2/3 cup grated mozzarella cheese
- 1 tablespoon finely chopped fresh basil
- 1 teaspoon balsamic vinegar

Cut a 1/2-inch slice off the top of each tomato. Discard the tops. With a small knife cut around the inside of the fleshy part of the tomato (do not cut through the bottom of the tomato) to within 1/2 inch of the skin. With a teaspoon, scoop out the tomato flesh, leaving about 1/2 inch of flesh attached to the skin. Discard the juice and seeds to make room for the stuffing. Lightly salt the inside of the tomatoes and turn them, cut side down, on a plate lined with paper towels while you prepare the stuffing.

To make the stuffing: Lightly brush or spray the onion, pepper, and zucchini with olive oil. Season with salt and pepper to taste. Grill over **direct medium** heat until tender, turning once. The onions will take 8 to 10 minutes. The peppers and zucchini will take 6 to 8 minutes. Transfer to a cutting board and cut into 1/3-inch pieces. In a medium bowl, combine the grilled vegetables with the cheese, basil, and vinegar.

Spoon the vegetable stuffing into the tomatoes. Grill the tomatoes over **indirect medium** heat until the cheese is melted and the vegetables are warm, 8 to 12 minutes. Serve immediately.

Makes 4 servings.



GRILLED STUFFED POTATOES

Indirect Medium

- 3 large baking potatoes
- 3 tablespoons softened butter or margarine
- 2 egg yolks
- 1/2 cup sour cream
- 1 tablespoon snipped chives
- 3/4 teaspoon salt
- 2 tablespoons grated sharp cheddar cheese
- 1/4 cup broccoli flowerets

Wash and dry potatoes. Prick potatoes with fork. Grill over **indirect medium** heat until done, about 1 hour. Halve potatoes lengthwise. Carefully scoop out pulp, reserving 6 shells. Mash potatoes with butter while still hot. Blend egg yolks and sour cream; mix with potatoes, chives and salt. Mound mixture into reserved shells.

Grill stuffed shells over **indirect medium** heat until potatoes are heated through, about 10 minutes. Top each potato with cheese and continue to grill until cheese has melted. Garnish top with cooked broccoli flowerets before serving.

Makes 6 servings.



PARADISE GRILLED

Indirect Medium
from *Weber's Big Book of Grilling™*

For the glaze:

- 3/4 cup fresh orange juice
- 1 tablespoon honey
- 1 tablespoon fresh lime juice
- 2 teaspoons cornstarch

- 4 slices fresh pineapple, about 1/2 inch thick each
- 1 teaspoon cracked dried green peppercorns or cracked black peppercorns

- 4 scoops vanilla ice cream

To make the glaze: In a small saucepan combine the glaze ingredients and whisk until smooth. Bring to a boil over medium-high heat and cook until thickened, 1 to 2 minutes. Keep the glaze warm or reheat when ready to serve.

Season both sides of the pineapple slices with the peppercorns. Grill over **indirect medium** heat until well marked, 6 to 8 minutes, turning once. Serve each pineapple slice with a scoop of ice cream and some of the glaze drizzled over the top.

Makes 4 servings.



Paradise Grilled



GRILLING GUIDE

The following cuts, thicknesses, weights, and grilling times are meant to be guidelines rather than hard and fast rules. Cooking times are affected by such factors as altitude, wind, outside temperature, and desired doneness. Two rules of thumb: Grill steaks, fish fillets, boneless chicken pieces, and vegetables

using the direct method for the time given on the chart or to the desired doneness, turning once. Grill roasts, whole poultry, bone-in poultry pieces, whole fish, and thicker cuts using the indirect method for the time given on the chart or until an instant-read thermometer reaches the desired internal

temperature. Cooking times for beef are for the USDA's definition of medium-rare doneness unless otherwise noted. Let roasts, larger cuts of meat, and thick chops and steaks rest for 5 to 10 minutes before carving. The internal temperature of the meat will rise by 5 to 10 degrees during this time.

Beef	Thickness/Weight	Approximate Grilling Time
Steak: New York, porterhouse, rib-eye, T-bone, or tenderloin	3/4 inch thick	4 to 6 minutes direct high
	1 inch thick	5 to 8 minutes; sear 4 to 6 minutes direct high, grill 1 to 2 minutes indirect high
	1-1/2 inches thick	10 to 14 minutes; sear 6 to 8 minutes direct high, grill 4 to 6 minutes indirect high
Flank steak	1-1/2 to 2 pounds, 3/4 inch thick	8 to 10 minutes direct high
Ground beef patty	3/4 inch thick	8 to 10 minutes direct high

Pork	Thickness/Weight	Approximate Grilling Time
Chop, boneless or bone-in:	3/4 inch thick	6 to 8 minutes direct high
	1 inch thick	8 to 10 minutes direct medium
Ribs, baby back	1-1/2 to 2 pounds	3 to 4 hours indirect low
Ribs, spareribs	2-1/2 to 3-1/2 pounds	3 to 4 hours indirect low
Ribs, country-style, bone-in	3 to 4 pounds	1-1/2 to 2 hours indirect medium

Poultry	Thickness/Weight	Approximate Grilling Time
Chicken breast, boneless, skinless	6 to 8 ounces	8 to 12 minutes direct medium
Chicken thigh, boneless, skinless	4 ounces	8 to 10 minutes direct high
Chicken breast, bone-in	10 to 12 ounces	30 to 40 minutes indirect medium
Chicken pieces, bone-in leg/thigh		30 to 40 minutes indirect medium
Chicken wing	2 to 3 ounces	18 to 20 minutes direct medium
Chicken, whole	3-1/2 to 4-1/2 pounds	1 to 1-1/2 hours indirect medium
Cornish game hen	1-1/2 to 2 pounds	50 to 60 minutes indirect high
Turkey, whole, unstuffed	10 to 12 pounds	2-1/2 to 3-1/2 hours indirect low
	13 to 15 pounds	3-1/2 to 4-1/2 hours indirect low

Fish & Seafood	Thickness/Weight	Approximate Grilling Time
Fish, fillet or steak	1/4 to 1/2 inch thick	3 to 5 minutes direct high
	1 to 1-1/4 inches thick	10 to 12 minutes direct high
Fish, whole	1 pound	15 to 20 minutes indirect medium
	3 pounds	30 to 45 minutes indirect medium
Note: General rule for grilling fish: 4 to 5 minutes per 1/2 inch thickness; 8 to 10 minutes per 1 inch thickness.		

Vegetables	Approximate Grilling Time
Asparagus 1/2 inch diameter	6 to 8 minutes direct medium
Corn, in husk / husked	25 to 30 minutes direct medium / 10 to 15 minutes direct medium
Mushroom, shiitake or button / portabello	8 to 10 minutes direct medium / 10 to 15 minutes direct medium
Onion, halved / 1/2-inch slices	35 to 40 minutes indirect medium / 8 to 12 minutes direct medium
Potato, whole / 1/2-inch slices	45 to 60 minutes indirect medium / 14 to 16 minutes direct medium

CONTIENTS

Merci d'avoir choisi Weber! Nous espérons que vous profiterez de votre barbecue pendant de nombreuses années. Nous sommes heureux de vous présenter ce livre rempli de recettes de cuisson au barbecue que Weber a essayées pour vous. Bien à vous et joyeuse cuisson au barbecue!

NOTIONS DE BASE WEBER POUR GRILLADES

La méthode de cuisson et le réglage de température préconisés pour votre barbecue à gaz Weber® sont inclus dans chaque recette. Les tableaux du livre sont faciles et rapides à consulter.

Cuisson À Couvert: Toutes les grillades sont effectuées à couvercle fermé pour garantir une circulation égale et uniforme de la chaleur. Lorsque le couvercle est fermé, le fonctionnement du barbecue à gaz Weber® ressemble beaucoup à celui du four à convection. Le thermomètre du couvercle indique la température de cuisson à l'intérieur du barbecue et peut servir à vérifier la température à cœur des viandes pour obtenir le degré de cuisson recherché. Il est fortement conseillé de préchauffer et de griller en gardant le couvercle fermé. Inutile de jeter un coup d'œil à l'intérieur — chaque fois que vous ouvrez le couvercle, vous perdez de la chaleur.

Préchauffer: Il est essentiel de préchauffer le barbecue avant de faire griller la viande. Allumez votre barbecue à gaz Weber® en

suivant les instructions de votre Guide de l'utilisateur. Fermez le couvercle et attendez que le thermomètre intégré au couvercle atteigne 260°-288°C. Selon la température extérieure, 10 à 15 minutes suffisent pour préchauffer le barbecue.

Système Flavorizer®: Lorsque les jus de viandes s'écoulent sur les barres Flavorizer® à angle spécial, ils génèrent une fumée qui donne aux aliments la saveur irrésistible des grillades sur charbon de bois. Grâce à la conception unique des brûleurs, des barres Flavorizer® et des commandes de température pratiques, les flambées inattendues sont pour ainsi dire éliminées, parce que VOUS maîtrisez les flammes. À cause de la conception spéciale des brûleurs et des barres Flavorizer®, l'excès de gras est acheminé vers la lèchefrite à travers le plateau inférieur en forme d'entonnoir.

CONSEILS UTILES POUR RÉUSSIR VOS GRILLADES

- » Retirer l'excès de gras des biftecks, côtelettes et rôtis pour ne laisser que 1/2 cm à peine. Moins de gras facilite le nettoyage des grilles et réduit le risque de flambée soudaine indésirable.
- » En cas de flambées indésirables, éteindre tous les brûleurs et déplacer les aliments vers une autre zone de la grille de cuisson. Les flammes s'éteindront rapidement. Une fois les flammes disparues, rallumer le barbecue. NE JAMAIS UTILISER DE L'EAU POUR ÉTEINDRE DES FLAMMES SUR UN BARBECUE À GAZ.

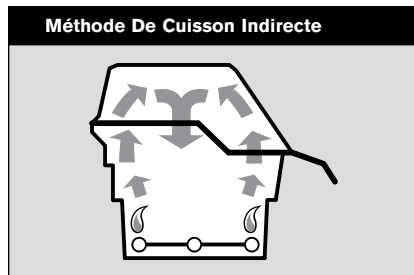
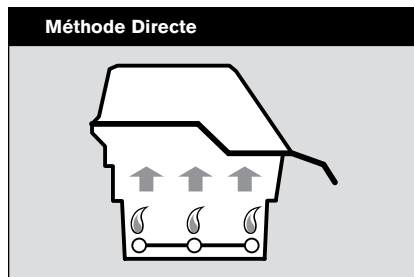
- » Ne pas recouvrir le plateau inférieur à forme d'entonnoir de feuille d'aluminium. Cela pourrait empêcher les gras de s'écouler vers la lèchefrite.
- » S'assurer toujours que le plateau inférieur et la lèchefrite soient propres et ne contiennent aucun déchet.
- » La température de votre barbecue à gaz Weber® pourrait être plus chaude que la normale les premières fois.
- » Bien se laver les mains à l'eau chaude et savonneuse avant de préparer un repas et après avoir manipulé de la viande, de la volaille et du poisson frais.
- » Ne jamais décongeler la viande à température ambiante ou sur le comptoir.
- » Ne jamais placer des aliments cuits dans le même plat où les aliments crus se trouvaient auparavant.

MÉTHODES DE CUISSON AU BARBECUE

La chose la plus importante qu'il faut retenir à propos de la cuisson au barbecue, c'est quelle méthode de cuisson, directe ou indirecte, il faut utiliser pour différents aliments. La différence est bien simple: placez les aliments directement au-dessus de la source de chaleur, ou assurez-vous que les sources de chaleur soient de part et d'autre des aliments. Si vous utilisez la bonne méthode, vous obtiendrez d'excellents résultats et vos aliments seront cuits à point, et donc sécuritaires à manger.

Méthode Directe

La méthode directe, similaire à la cuisson au grilloir, permet de griller l'aliment directement au-dessus de la source de chaleur. Pour une cuisson égale, l'aliment ne doit être tourné qu'une seule fois à mi-cuisson. La méthode directe est conseillée pour les aliments qui grillent en moins de 25 minutes: biftecks, côtelettes, brochettes, saucisses, légumes et bien d'autres encore. Cette méthode est également nécessaire pour saisir les viandes. Une viande saisie permet d'obtenir cette merveilleuse texture croustillante et



caramélisée à la surface de l'aliment en contact avec le grill. Elle permet également de lui donner une belle couleur et de rehausser sa saveur. Les biftecks, côtelettes, poitrines de poulet et coupes de viande plus grandes gagnent à être saisis. Pour saisir les viandes, on les grille 2 à 5 minutes de chaque côté directement au-dessus d'une source de chaleur intense. Les morceaux plus petits requièrent moins de temps pour être saisis. En général, une fois l'aliment saisi, le reste de la cuisson se poursuit à une température moins élevée. On peut continuer à faire griller les aliments à cuisson rapide par méthode directe; pour les aliments à cuisson lente il vaut mieux opter pour la méthode de cuisson indirecte. Pour adapter le barbecue à gaz aux grillades exigeant une chaleur directe, préchauffer le barbecue en réglant tous les brûleurs à High (puissance maximale). Placer l'aliment sur la grille de cuisson, régler ensuite tous les brûleurs à la température mentionnée dans la recette. Fermer le couvercle du barbecue et ne le soulever que pour retourner l'aliment ou vérifier la cuisson à la fin du temps de cuisson recommandé.

Méthode De Cuisson Indirecte

La méthode indirecte ressemble au rôtissage avec en prime les avantages d'une texture, d'une saveur et d'un aspect propres aux grillades sur charbon de bois qu'un four ne pourra jamais offrir. On prépare le barbecue à la méthode de cuisson indirecte en n'allumant que les brûleurs à gaz des deux côtés de l'aliment, mais jamais celui directement

au-dessous. La chaleur monte, se réfléchit sur le couvercle et les surfaces intérieures du barbecue et circule pour cuire l'aliment lentement et uniformément de tous les côtés, tout comme un four à convection, il n'est donc pas nécessaire de retourner la viande. Cette méthode est recommandée pour les aliments exigeant un temps de cuisson d'au moins 25 minutes ou ceux si délicats qu'une exposition directe aux flammes pourrait dessécher ou brûler. Parmi ceux-là, on compte les rôtis, les côtes, les poulets entiers, les dindes et autres grandes coupes de viande, ainsi que les filets de poisson plus délicats. Pour adapter un barbecue à gaz à la méthode indirecte, il est nécessaire de le préchauffer en réglant tous les brûleurs à High (puissance maximale). On règle ensuite les brûleurs latéraux à la température mentionnée dans la recette et on éteint le brûleur directement au-dessous de l'aliment. Pour de meilleurs résultats, il est conseillé de placer les rôtis, la volaille ou les grandes coupes de viande dans une barquette d'aluminium épaisse et jetable sur la rôtissoire. Lorsque des temps de cuisson plus longs sont nécessaires, ajouter de l'eau à la barquette pour empêcher les graisses qui s'écoulent de brûler. Ces graisses peuvent servir à préparer des sauces.



Biftecks Aux Trois Poivres

BIFTECKS AUX TROIS POIVRES

Saisir à feu vif, cuire à chaleur Indirecte Moyenne

- 6 biftecks, d'une épaisseur de 4 cm environ
- 2 cuillers à thé (4g) de grains de poivre noir
- 2 cuillers à thé (4g) de grains de poivre blanc
- 2 cuillers à thé (4g) de grains de poivre séchuanais
- 1/8 cuiller à thé (0,5g) de piment de Jamaïque moulu

Découper l'excédent de gras et le jeter. Concasser grossièrement les grains de poivre, mélanger les grains de poivre et le piment de Jamaïque. Frotter les deux côtés des biftecks du mélange obtenu. Couvrir et réfrigérer les biftecks pendant 1 à 2 heures après les avoir frottés avec le mélange poivré. Laisser reposer la viande à température ambiante de 20 à 30 minutes avant de faire griller. Saisir les biftecks à feu vif direct pendant 4 minutes, en les retournant à mi-cuisson. Continuer à cuire à chaleur moyenne indirecte pendant 6 à 8 minutes pour une cuisson à point.

Donne 6 portions.



BIFTECK DE FLANC MARINÉ

Directe Moyenne

Ingrédients de la marinade:

- 1/2 tasse (125 ml) d'huile de cuisson
- 1/3 tasse (80 ml) de sauce soya
- 1/4 tasse (60 ml) de vinaigre de vin rouge
- 2 cuillers à table (20 ml) de jus de citron
- 1 cuiller à table (10 ml) de sauce Worcestershire
- 1 cuiller à thé (5 g) de moutarde sèche gousse d'ail, finement hachée
- 1/4 cuiller à thé (0,5 g) de poivre

675 g de bifteck de flanc, d'une épaisseur de 2 cm environ

Mélanger les ingrédients de la marinade dans un récipient non métallique et peu profond. Placer le bifteck et le retourner pour l'enduire complètement de marinade. Couvrir et laisser mariner au réfrigérateur pendant au moins 4 heures ou toute la nuit. Retirer le bifteck de la marinade et jeter cette dernière. Laisser reposer à température ambiante de 20 à 30 minutes avant de faire griller. Faire griller chaque côté pendant 5 minutes de manière à ce que le bifteck soit doré de l'extérieur et mi-saignant au centre. Découper en tranches minces diagonalement dans le sens des fibres avant de servir.

Donne 4 portions.



BIFTECKS AUX FINES HERBES

Saisir à feu vif, cuire à chaleur Indirecte Moyenne

- 4 biftecks, d'une épaisseur de 4 cm environ
- 1-1/2 cuiller à thé (2 g) de basilic séché
- 1 cuiller à thé (5 g) d'estragon séché
- 1 cuiller à thé (5 g) de ciboulette séchée
- 4 gousses d'ail, hachées finement

Découper l'excédent de gras et le jeter. Mélanger les fines herbes et l'ail, écraser avec une fourchette pour former une pâte. Frotter les deux côtés des biftecks du mélange d'herbes. Couvrir et réfrigérer les biftecks pendant 1 à 2 heures. Laisser reposer la viande à température ambiante de 20 à 30 minutes avant de faire griller. Saisir les biftecks à feu vif direct pendant 4 minutes, en les retournant à mi-cuisson. Continuer à cuire à chaleur moyenne indirecte pendant 6 à 8 minutes pour une cuisson à point.

Donne 4 portions.



CÔTELETTES LEVÉES DU DOS AVEC UNE SAUCE AUX POMMES DE CIDRE ÉPICER

Indirecte Moyenne
de *Weber's Big Book of Grilling™*

Pour le sauce:

- 2 tasses de pomme de cidre
- 1/4 tasses d'échalotes haché
- 1 cuiller à table de piment jalapeño haché, graines enlevées
- 1/4 tasse de ketchup
- 2 cuillers à table de vinaigre au vin blanc
- 2 cuillers à table de pâte de tomate
- 1 cuiller à table de sucre brun foncé
- 1/4 cuiller à thé de sel
- 1/4 cuiller à thé de poivre fraîchement moulu

- 2 to 3 étals de côtelettes de levées, environ 4 livres
- sel
- poivres fraîchement moulu

Pour faire le sauce: Combiner dans une petite caserol le pomme de cidre, les échalotes et le piment jalapeño. Bouillir à une température moyenne haute pour 15 à 20 minutes, ou jusqu'au temps qu'il reste environ 1 tasse de liquide. Ajouter les autres ingrédients, les faire bouillir et les retirer du chaleur (le sauce peuvent être faite en avance et gardée réfrigérer jusqu'au temps qu'il est prêt à utilisée).



Côtelettes Levées Du Dos Avec Une Sauce Aux Pommes De Cidre Épicé

Laisser les côtelettes levées du dos reposer et sois à la température de sale pour 20 à 30 minutes avant de commencer à griller. Assaisonner avec le sel et le poivre. Les faire grilles, côtes en bas, à une température moyenne directe pour 1 à 2 heures, ou jusqu'à temps que la viande est tendre et commence à se defaire des cotés d'os. Aroses les côtes fréquemment avec le sauce pendant le grillage mais arrêter pendant les derniers 10 minutes. Les retirer du grill et les laisser reposer pour 5 à 10 minutes avant de trancher les côtes individuelles. Servir chaude.

Donne 4 portions.





Brochettes D'agneau Épicées

BROCHETTES D'AGNEAU ÉPICÉES

Directe Moyenne

Marinade épicée à l'orange:

- 1/2 tasse (125 ml) d'huile d'olive ou de cuisson
- 1/4 tasse (60 ml) de vinaigre de vin rouge
- 1 cuiller à table (10 ml) de jus de citron
- 2 cuillers à table (12 g) de zeste d'orange râpé
- 1 oignon vert avec fane, haché
- 1/4 cuiller à thé (0,5 g) de cannelle moulue
- 1/8 cuiller à thé (0,25 g) de clous de girofle moulus

900 g d'agneau maigre,
coupées en cubes de 4 cm

Préparer la marinade épicée à l'orange:

Mélanger tous les ingrédients. Verser sur l'agneau placé dans un plat de cuisson en verre peu profond ou dans un sac en plastic. Couvrir et réfrigérer de 4 à 6 heures. Laisser égoutter l'agneau, réserver la marinade. Verser la marinade réservée dans un petit poêlon. Amener à ébullition à feu vif et laisser bouillir pendant 1 minute complète. Disposer l'agneau sur 4 à 6 brochettes en métal. Placer les brochettes sur la grille de cuisson, faire griller jusqu'au degré de cuisson recherché, environ 10 minutes pour une cuisson à point. Badigeonner les cubes de viande de la marinade pendant la cuisson.

Retourner les brochettes à mi-cuisson.

Donne 4 à 6 portions.



GIGOT D'AGNEAU

Indirecte Moyenne

- 1 gigot d'agneau, désossé, roulé et ficelé, 2,25 à 2,75 kg
- 2 gousses d'ail, coupées en huit fragments
- Huile de cuisson
- 1 cuiller à table (6 g) de zeste de citron râpé
- 3/4 cuiller à thé (4 g) de sel
- 1 cuiller à thé (1 g) de romarin séché
- 1/4 cuiller à thé (0,5 g) de poivre noir

Au moyen d'un couteau à petite lame, faire 8 petites entailles sur la surface du gigot d'agneau. Insérer un fragment d'ail dans chaque fente. Badigeonner le gigot d'huile. Saupoudrer de zeste de citron, de sel, de romarin et de poivre. Placer le gigot sur la grille de cuisson et cuire pendant environ 2-1/2 heures pour une cuisson à point à 71°C.

Donne 10 à 12 portions.



CARRÉ D'AGNEAU

Saisir à chaleur moyenne, cuire à chaleur Indirecte Moyenne

- 2 carrés d'agneau de 450 à 675 g chaque
- 2 cuillers à table (20 ml) de moutarde de Dijon
- 1 tasse (100 g) de chapelure de pain frais
- 1/4 tasse (60 g) de persil ciselé
- 1/2 cuiller à thé (3 g) de sel
- 1/4 cuiller à thé (0,5 g) de poivre fraîchement moulu
- 2 cuillers à table (20 ml) de beurre fondu
- 1 gousse d'ail, écrasée

Saisir les carrés d'agneau, côté gras vers le bas, à chaleur moyenne directe pendant 5 minutes. Retirer du barbecue. Étaler une cuiller à table (10 g) de moutarde sur chaque carré d'agneau. Dans un petit bol, mélanger la chapelure, le persil, le sel et le poivre. Saupoudrer uniformément sur les carrés d'agneau. Mélanger le beurre fondu et l'ail et verser sur le dessus. Continuer à cuire à chaleur indirecte et moyenne, jusqu'à cuisson mi-saignante, 63°C, environ 20 minutes.

Donne 4 portions.



CÔTELETTES DE PORC FARCIES AUX PACANES

Saisir à feu vif, cuire à chaleur Indirecte Moyenne

Farce aux pacanes:

- 1/2 tasse (50 g) de pacanes grossièrement hachées
 - 1/4 tasse (40 g) d'oignons verts avec leurs fanes, tranchés
 - 1/4 tasse (60 g) de poivre vert concassé
 - 3 cuillers à table (30 g) de beurre
 - 1/4 cuiller à thé (0,3 g) de romarin séché
 - 1/8 cuiller à thé (0,25 g) de poivre blanc
 - 2 tasses (60 g) de pain de blé complet rassis, coupé en dés – cubes de 1 cm
 - 1/3-1/2 tasse (80 à 125 ml) de bouillon de poulet
- 6 côtelettes de filet de porc avec pochettes pour farce, 4 cm d'épaisseur

Préparer la farce aux pacanes: Dans un petit poêlon, faire revenir les pacanes, les oignons et le poivre vert dans du beurre jusqu'à ce que les oignons ramollissent; ajouter le romarin et le poivre et les faire revenir 1 minute de plus. Mélanger les cubes de pain au mélange de pacanes dans un bol de taille moyenne; ajouter suffisamment de bouillon de poulet pour humecter.



Carré D'agneau

Farcir les pochettes de côtelettes de porc à la cuiller et fermer les extrémités avec des cure-dents. Laisser reposer les côtelettes à température ambiante pendant 20 minutes environ avant de faire griller. Placer les côtelettes sur la grille de cuisson. Saisir à feu vif direct pendant 12 minutes, en les retournant à mi-cuisson. Continuer à cuire par chaleur indirecte moyenne, jusqu'à ce que la couleur rose disparaisse au centre, soit 4 à 6 minutes. Retirer les cure-dents avant de servir.

Donne 6 portions.





Poulet Au Fromage Ricotta

POULET AU FROMAGE RICOTTA

Indirecte Moyenne

- 1 poulet entier de 1,75 à 2,25 kg
- 350 g de fromage ricotta
- 1/3 tasse (100 g) de fromage parmesan râpé
- 1 œuf
- 1-1/4 cuiller à thé (1,5 g) de basilic séché, divisé
- 3/4 cuiller à thé (1 g) d'estragon séché, divisé

- 2 cuillers à table (8 g) de persil finement haché
- 1 grosse gousse d'ail finement hachée
- Huile de cuisson
- Paprika

À l'aide d'un coupe-volaile, couper le long des deux côtés de la carcasse dorsale sur toute la longueur du poulet. Retirer toute la carcasse dorsale et le croupion.

1. Embrocher la peau du cou au dos. Tordre les extrémités d'aile sous le dos. Placer le poulet, côté peau vers le haut, sur le comptoir et appuyer sur le poulet avec la paume pour 'étaler' les os afin que le poulet soit complètement à plat. **2.** Desserrer la peau sur la poitrine et les pilons du poulet, au moyen d'un couteau d'office aiguisé et les doigts, en commençant par l'extrémité du cou et en prenant soin de ne pas déchirer ou couper la peau.

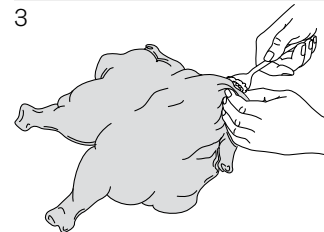
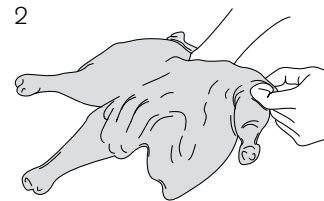
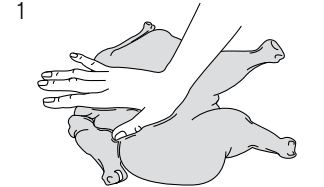
Mélanger les fromages ricotta et parmesan, l'œuf, 1 cuiller à thé (1,2 g) de basilic, 1/2 cuiller à thé (0,6 g) d'estragon, le persil et l'ail.

3. À l'aide d'une cuiller, farcir la cavité entre la peau et la chair du mélange au fromage, en appuyant avec les doigts pour le distribuer uniformément sur la poitrine et les pilons. Badigeonner le poulet légèrement d'huile et saupoudrer le poulet du reste de basilic et de l'estragon ainsi que du paprika.

Placer le poulet, côté peau vers le haut, sur la grille de cuisson. Faire griller jusqu'à ce que les cuisses de poulet bougent facilement et que la peau soit bien dorée, 1-1/4 à 1-1/2 heure. Transférer le poulet sur une planche à découper; laisser reposer 10 minutes.

Découper en quartiers, en longueur et en croix. Rassembler le poulet sur un plat de service.

Donne 4 portions.



FAJITAS AU POULET

Directe Moyenne

Marinade:

- 1/4 tasse (60 ml) d'huile de cuisson
 - 3 cuillers à table (30 ml) de jus de lime
 - 2 cuillers à table (20 ml) de vinaigre de vin rouge
 - 2 cuillers à table (20 g) d'oignon haché finement
 - 1 gousse d'ail émincée
 - 1/2 cuiller à thé (2 g) de sucre
 - 1/2 cuiller à thé (0,75 g) d'origan séché
 - 1/4 cuiller à thé (1,5 g) de sel
 - 1/4 cuiller à thé (0,5 g) de poivre
 - 1/8 cuiller à thé (0,2 g) de cumin moulu
-
- 6 moitiés de poitrines de poulet désossées
 - 4 tomates italiennes coupées en tranches de 1,25 cm
 - 1 oignon rouge coupé en tranches de 1,25 cm
 - 1 poivron rouge ou jaune coupé en quatre, après avoir enlevé la tige et les graines
 - 6 grandes tortillas
 - 1 avocat coupé en tranches
- Salsa

Dans un contenant peu profond non métallique, combiner les ingrédients de la marinade. Préparer la marinade. Ajouter le poulet en le retournant pour recouvrir chaque côté de marinade. Couvrir et réfrigérer pendant 4 heures, en le retournant de temps en temps. Enlever les poitrines de poulet de la marinade et jeter cette marinade. Faire griller les poitrines de poulet 8 à 12 minutes, jusqu'à ce que la viande ne soit plus rose et les retourner à mi-cuisson. Pour les temps de cuisson des tomates, de l'oignon et du poivron, voir page 32. Envelopper les tortillas dans du papier d'aluminium et les placer sur la grill de cuisson. Faire chauffer pendant 1 minute. Couper le poivron en lanières et le poulet en tranches. Placer les tranches de poulet, de tomates grillées, d'oignon, de poivron et d'avocat dans les tortillas chaudes et les enrouler pour les servir avec de la salsa.

Donne 6 portions.



Fajitas Au Poulet

Conseil Weber

Si l'on veut badigeonner la viande de sauce pendant la cuisson, répartir cette sauce en réservant une partie pour badigeonner et l'autre pour servir à table. Faire bouillir à feu vif les marinades utilisées pour les viandes, le poisson ou la volaille crus pendant 10 seconds complète avant de les utiliser pour arroser ou pour servir de sauce.





Perche De Mer Avec Une Vinaigrette De Poivron Roti

PERCHE DE MER AVEC UNE VINAIGRETTE DE POIVRON ROTI

Directe Haute
de www.weber.com®

Pour la vinaigrette:

- 3 poivrons, la préférence sont rouges, jaunes et oranges
- 3 cuillers à table d'huile d'olive extra vierge
- 2 cuillers à table de jus d'orange
- 2 cuillers à table de persil italienne finement haché
- 1 cuiller à table de jus de citron
- 1/2 cuiller à table d'ail haché
- 1/2 cuiller à thé de cumin moulu
- 1/4 cuiller à thé de sel
- 1/4 cuiller à thé de poivre fraîchement moulu
- 1/4 cuiller à thé de sauce Tobasco

- 4 filets de perche sans peau, environ 6 onces et 1 pouce d'épaisseur
- L'huile d'olive extra vierge
- Sel
- Poivre fraîchement moulu

Pour faire la vinaigrette: Griller les poivrons à une température directe haute jusqu'au temps que les peaux sont grillées également sur chaque côté, 10 à 12 minutes, et les tourner chaque 3 à 4 minutes. Les enlever du gril et les placer dans un sac à papier et le

bien fermer. Les laisser pour 10 à 15 minutes pour enlever la vapeur des peaux. Couper les sommets des tomates, et enlever les graines. Couper les poivrons dans des morceaux de pouce et les mettre à part. Dans un bol moyen fouetter ensemble les ingrédients restant du vinaigrette.

Ajouter les poivrons et les mettre de côté pour aussi long qu'une journée. Brosser les filets de poisson avec d'huile d'olive. Assaisonner avec le sel et poivre à votre goût. Griller à une température directe haute jusqu'à temps que le chair est opaque, 5 à 7 minutes, en tournant seulement 1 fois. Enlever du gril et le servir chaude avec le vinaigrette de poivrons rôti versé dessus.

Donne 4 portions.



BROCHETTES DE CREVETTES ET BEURRE AU CURRY

Directe Élevée

Beurre au curry:

- 1/2 tasse (120 g) de beurre
- 2 cuillers à table (20 g) d'oignon finement haché
- 1 cuiller à thé (2 g) d'aneth frais ciselé
- 1 – 1-1/2 cuiller à thé (2 à 3 g) de poudre de curry
- une pincée de poudre d'ail

- 900 g de grosses crevettes déveinées
- Huile d'olive
- Quartiers de lime ou de citron
- Aneth frais ou brins de persil

Préparer le beurre au curry: Faire fondre le beurre dans une petite poêle à chaleur moyenne à élevée. Ajouter l'oignon, l'aneth, le curry et la poudre d'ail et faire cuire 5 minutes.

Enfiler les crevettes sur six brochettes de 30 cm, en laissant de l'espace entre chaque morceau. Badigeonner légèrement ou vaporiser les crevettes d'huile d'olive. Les faire griller jusqu'à ce qu'elles deviennent roses et tendres, soit 2 à 5 minutes, selon la grosseur (ne pas cuire trop longtemps). Retourner les brochettes et les badigeonner de beurre au curry à mi-cuisson. Disposer les crevettes

grillées sur le plat de service et garnir avec des quartiers de lime et de l'aneth.

Donne 4 portions.



DARNE DE SAUMON KYOTO

Directe Moyenne

- 1/3 tasse (80 ml) de sauce soja
- 1/4 tasse (60 ml) de jus d'orange concentré
- 2 cuillers à table (20 ml) d'huile de cuisson
- 2 cuillers à table (20 ml) de sauce tomate
- 1 cuiller à thé (5 ml) de jus de citron
- 1/2 cuiller à thé (2,5 g) de moutarde préparée
- 1 cuiller à table (10 g) d'oignon vert et sa fane, finement hachés
- 1 gousse d'ail, finement hachée
- 1/2 cuiller à thé (2,5 g) de racine de gingembre, finement hachée

- 4 darnes de saumon d'environ 2,5 cm d'épaisseur
- Huile d'olive

Pour la marinade, combiner tous les ingrédients à l'exception des darnes de saumon et verser le mélange sur les darnes dans un plat en verre profond allant au four. Couvrir et réfrigérer pendant 30 à 60 minutes. Laisser égoutter le saumon et réserver la marinade en la versant dans une petite casserole. Porter à ébullition à feu vif



Darne De Saumon Kyoto

et faire bouillir pendant 1 minute complète. Badigeonner légèrement ou vaporiser les darnes avec de l'huile d'olive et les placer sur la grille de cuisson. Faire griller jusqu'à ce que le poisson soit tendre et s'effrite sous la fourchette, soit 5 à 10 minutes, selon l'épaisseur du poisson. Retourner le saumon et le badigeonner de marinade à mi-cuisson.

Donne 4 portions.





Farce De Tomate Roti Avec Ratatouille

FARCE DE TOMATE ROTI AVEC RATATOUILLE

Directe Moyenne
de www.weber.com®

- 4 tomate de large grosseur
sel

Pour le farce:

- 1 onion rouge de moyenne grosseur,
couper en travers
Tranche de 1/3 pouces
- 1 poivrons de moyenne grosseur,
graines et tiges enlever
- 1 courgette de moyenne grosseur,
ouper en longueur
Tranche de 1/3 pouces
L'huile d'olive extra vierge
Poivre fraîchement moulu
- 2/3 tasse de fromage mozerella râpé
- 1 cuiller à table de basilic fraîche
- 1 cuiller à thé de vinaigre balsamique

Couper une tranche de pouce sur le dessus de chaque tomate et jeter les sommets. Couper le dedans du parti charnu du tomate d'environ pouce du peau avec une petite couteau. Ne pas couper a travers le dessous du tomate. Cuillerer le dedans du tomate mais laisser pouce du chair attacher au peau. Jetter les jus et les graines pour donner d'espace pour le farce. Pendant que vous preparez le farce, seller l'intérieur des tomates et les tourner face couper en bas sur des plats lignés avec des serviettes en papier.

Pour faire le farce: Brosser les onions, poivrons et courgettes légèrement avec l'huile d'olive. Assaisonner avec le sel et poivre à votre goût. Griller à une temperature directe moyenne, les tournants 1 fois, jusqu'au temps qu'ils sont tendres. Les onions vont prendre 8 à 10 minutes et les poivrons et courgettes 6 à 8 minutes. Transferer sur une planche à découper et couper dans des morceaux de 1/3 pouces. Dans un bol de moyenne grosseur, combiner les légumes avec le fromage, baselic et vinaigre.

Cuillerer le farce légume dans les tomates et griller sur indirecte moyenne jusqu'à temps que le fromage est fondu et les légumes sont chaudes, 8 à 12 minutes. Servir immédiatement.

Donne 4 portions.



POMMES DE TERRE FARCIES GRILLÉES

Indirecte Moyenne

- 3 grosses pommes de terre à cuire au four
- 3 cuillers à table (45 g) de margarine ou de beurre ramolli
- 2 jaunes d'œufs
- 1/2 tasse (125 ml) de crème sure
- 1 cuiller à table (3 g) de ciboulette hachée
- 3/4 cuiller à thé (5 g) de sel
- 2 cuillers à table (10 g) de fromage cheddar fort râpé
- 1/4 tasse (125 ml) de fleurs de brocoli

Laver et sécher les pommes de terre. Les piquer avec une fourchette et les faire griller jusqu'à ce qu'elles soient bien cuites, soit environ 1 heure. Les couper en deux sur la longueur. À l'aide d'une cuiller, retirer soigneusement la pulpe, en réservant 6 pelures. Réduire les pommes de terre en purée avec le beurre tant qu'elles sont encore chaudes. Incorporer les jaunes d'œufs et la crème sure et mélanger avec les pommes de terre, la ciboulette et le sel. Introduire le mélange dans les pelures réservées.

Placer les pelures farcies sur la grille de cuisson et les faire griller jusqu'à ce qu'elles soient bien cuites, soit environ 10 minutes. Recouvrir chaque pomme de terre de fromage et continuer à les faire griller jusqu'à

ce que le fromage ait fondu. Garnir le dessus avec des fleurs de brocoli avant de servir.

Donne 6 portions.



PARADIS GRILLER

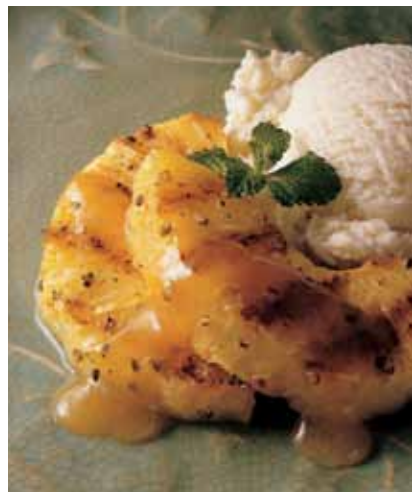
Indirecte Moyenne
de *Weber's Big Book of Grilling™*

Pour le glaçage:

- 3/4 tasse de jus d'orange
- 1 cuiller à table de miel
- 1 cuiller à table de jus de citron
- 2 cuillers à thé de farine de maïs
- 4 tranches d'ananas, pouce d'épais
- 1 cuiller à thé de graine de poivre vert et grain de poivre noir
- 4 cuillers a glace vanille

Pour faire le glaçage: Dans une petite caserol combiner les ingrédients et fouetter jusqu'à temps qu'ils sont onctueux. Bouillir à une température moyenne haute jusqu'au temps qu'ils devient épais, 1 à 2 minutes. Garder le glaçage chaude ou rechauffer lorsqu'il est prêt à utiliser. Assaisonner chaque côté des tranches d'ananas avec les graines de poivres. Griller à une température indirecte moyenne, 6 à 8 minutes en tournant seulement 1 fois. Servir chaque tranche d'ananas avec un cuiller a glace vanille et le glaçage bruiner dessus.

Donne 4 portions.



Paradis Griller



GUIDE DE CUISSON AU BARBECUE

Les prochaines coupes, épaisseurs, pois et temps de cuisson sont des guides de cuisson et non pas des règles. Les temps pour cuire vont être affecter par l'altitude, le vent, les températures et l'à point désiré. Deux règles à vue nez: griller les biftecks, filets de poissons, les morceaux de poulets et légumes en utilisant le methode directe en tournant

seulement 1 fois en accord avec le temps donner sur le guide ou à la point desire. Griller les rôtis, les volailles avec os, les poissons entiere et les coupes de viande plus épais en utilisant le methode indirect pour les temps sur le guide de cuisson ou lorsque un themomètre advise une température désirable. Le temps de cuisson pour les

rôtis et l'agneaux sont une définition USDA à point moyenne au mois d'être dit d'autre façon. Laisser les rôtis, coupes de viande plus large et les côtelettes et biftecks assoir pour 5 à 10 minutes avant de les découper. La température à l'intérieur du viande vas hausser de 5 à 10 degreés pendant ce temps

Boeuf	Épaisseur/Poids	Temps De Cuisson Approximatif
Biftecks (New York, bifteck de gros filet, faux-filet, surlonge, aloyau ou filet mignon)	2 cm	4 à 6 minutes en cuisson directe à puissance élevée
	2,5 cm	5 à 8 minutes ; saisir 4 à 6 minutes en cuisson directe à puissance élevée, puis griller 1 à 2 minutes en cuisson indirecte à puissance élevée
	3,75 cm	10 à 14 minutes ; saisir 6 à 8 minutes en cuisson directe à puissance élevée, puis griller 4 à 6 minutes en cuisson indirecte à puissance élevée
Bifteck de flanc	450 à 675 g, 2 cm	8 à 10 minutes en cuisson directe à puissance élevée
Fricadelles de boeuf	2 cm	8 à 10 minutes en cuisson directe à puissance élevée

Porc	Épaisseur/Poids	Temps De Cuisson Approximatif
Côtelettes (longe, côte)	2 cm	6 à 8 minutes en cuisson directe à puissance élevée
	2,5 cm	8 à 10 minutes en cuisson directe à puissance moyenne
Côtes, petites côtes levées de dos	680 à 907 g chacune	3 à 4 heures en cuisson indirecte à puissance faible
Côtes, côtes levées	1,13 à 1,59 kg	3 à 4 heures en cuisson indirecte à puissance faible
Côtes, de campagne, non désossées	1,35 à 1,75 kg	1-1/2 à 2 heures en cuisson indirecte à puissance moyenne

Volaille	Épaisseur/Poids	Temps De Cuisson Approximatif
Poitrines de poulet, désossées, sans peau	170 à 225 g chacune	8 à 12 minutes en cuisson directe à puissance moyenne
Poitrines de cuisse, désossées, sans peau	113 g chacune	8 à 10 minutes en cuisson directe à puissance élevée
Poitrine de poulet, non désossée	280 à 340 g chacune	30 à 40 minutes en cuisson indirecte à puissance moyenne
Morceaux de poulet, pilons et cuisses avec os		30 à 40 minutes en cuisson indirecte à puissance moyenne
Aile de poulet	57 à 85 g chacun	18 à 20 minutes en cuisson directe à puissance moyenne
Poulet, entier	1,5 à 2 kg	1 à 1-1/2 heures en cuisson indirecte à puissance moyenne
Poulet de Cornouailles sauvages, entiers	675 à 900 g chacun	50 à 60 minutes en cuisson indirecte à puissance élevée
Dinde entière, farcie	4,5 à 5,4 kg	2-1/2 à 3-1/2 heures en cuisson indirecte à puissance faible
	5,9 à 6,8 kg	3-1/2 à 4-1/2 heures en cuisson indirecte à puissance faible

Filets Et De Poisson Et Fruits De Mer	Épaisseur/Poids	Temps De Cuisson Approximatif
Filets de poisson	0,50 à 1,25 cm	3 à 5 minutes en cuisson directe à puissance élevée
Darnes de poisson	1,25 à 2,50 cm	10 à 12 minutes en cuisson directe à puissance élevée
Entier	450 g	15 à 20 minutes en cuisson indirecte à puissance moyenne
	1,35 kg	30 à 45 minutes en cuisson indirecte à puissance moyenne
Note: le règle general pour cuire le poisson: 4 à 5 minutes pour chaque pouce d'épaisseur; 8 à 10 minutes par chaque pouce d'épaisseur.		

Légumes	Temps De Cuisson Approximatif
Asperges	6 – 8 minutes directe moyenne
Maïs en papillote/épluché	25 – 30 minutes directe moyenne / 10 – 15 minutes directe moyenne
Champignons shiitaké ou bouton/portabello	8 – 10 minutes directe moyenne / 10 – 15 minutes directe moyenne
Oignons, tranches / 1,25 cm	35 à 40 minutes en cuisson indirecte à puissance moyenne / 8 – 12 minutes directe moyenne
Pommes de terre entières/tranches 1,25 cm	45 minutes à 1 heure indirecte moyenne / 14 – 16 minutes directe moyenne

CONTENIDO

¡Gracias por haber escogido Weber!
Esperamos que disfrute durante muchos años de nuestro fiel servicio. Es para nosotros un placer presentarle este libro de cocina repleto de recetas Weber, todas ellas probadas y degustadas a la parrilla. Saludos cordiales y que aproveche!

NOCIONES BÁSICAS SOBRE LAS BARBACOAS Ó ASADORES WEBER

Cada receta contenida en este libro incluye un método de preparación a la parrilla así como las propiedades de calor idóneas para utilizar la barbacoa ó asador de gas Weber®. Las tablas incluidas en este libro le servirán como una referencia útil y fácil de usar.

Cocine Con La Tapa Cerrada: Todos los platos a la parrilla se cocinan con la tapa cerrada para proporcionar un flujo de calor uniforme y en constante circulación. Con la tapa cerrada, la barbacoa de gas Weber® cocina de forma muy parecida a un horno de convección. El termómetro situado en la tapa indica la temperatura de preparación existente dentro de la barbacoa ó asador y se puede utilizar para comprobar la temperatura interna de las carnes cuando se desea un grado concreto de preparación. La tapa debe estar cerrada tanto al calentar la barbacoa como al cocinar con ella. No suba la tapa mientras cocina, el calor se escapará cada vez que lo haga.

Caliente La Parrilla: Es muy importante que caliente la barbacoa ó asador antes de cocinar con ella. Encienda la barbacoa ó asador de gas Weber® siguiendo las instrucciones del Manual del Propietario. Baje

la tapa y espere hasta que el termómetro de la tapa alcance 260°-288°C. Este procedimiento tardará entre 10 y 15 minutos, dependiendo de la temperatura exterior.

Sistema Flavorizer®: Cuando las carnes desprenden su jugo, dichos jugos caen en las barras Flavorizer® que están especialmente orientadas para crear el humo que proporciona a las carnes un irresistible sabor a barbacoa. Gracias al exclusivo diseño de los quemadores, de las barras Flavorizer® y de los mandos de control de temperatura, las llamas incontroladas quedan prácticamente eliminadas, ya que es USTED quien controla las llamas. Gracias al diseño especial de las barras y quemadores Flavorizer®, las grasas sobrantes son dirigidas a través de la bandeja del fondo con forma de embudo hasta la bandeja recolectora del exceso de grasa.

CONSEJOS PRÁCTICOS & TRUCOS ÚTILES

- » Quite la grasa sobrante de los filetes, chuletas y asados, dejando apenas 0,6 cm de grasa. Cuanta menos grasa haya, más fácil será limpiar la barbacoa ó asador, y prácticamente se asegurará que no se produzcan llamas poco apropiadas.
- » En caso de que se produzca una llamarada poco deseable, APAGUE todos los quemadores y coloque los alimentos en otra zona de la parrilla. Las llamas se apagarán con rapidez. Una vez apagadas, vuelva a encender la barbacoa. **NO UTILICE AGUA EN NINGÚN CASO PARA APAGAR LAS LLAMAS DE UNA BARBACOA DE GAS.**
- » No cubra con papel de aluminio la bandeja

del fondo que tiene forma de embudo. Esto podría impedir que la grasa escurra hasta llegar a la bandeja recolectora del exceso de grasa.

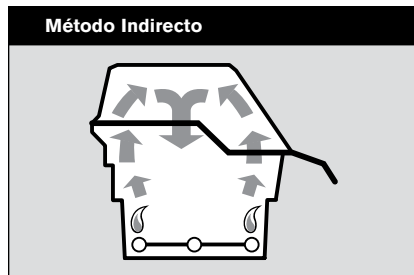
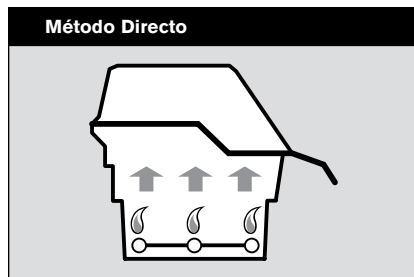
- » Asegúrese de que la bandeja del fondo y la bandeja recolectora del exceso de grasa estén limpias y no tengan restos de alimentos.
- » La temperatura de la barbacoa ó asador de gas Weber® puede ser más elevada de lo normal durante los primeros usos.
- » Lávese bien las manos con agua caliente y jabón antes de comenzar a preparar cualquier plato y después de haber tocado carnes, pescados, o aves frescos.
- » No descongele carne a temperatura ambiente, descongele en el refrigerador.
- » No coloque nunca alimentos cocinados en el mismo plato en el que haya colocado alimentos crudos.

MÉTODOS DE COCINA A LA PARRILLA

La elección más importante que debemos hacer en la cocina a la parrilla es seleccionar el método de cocción de un alimento específico: fuego directo ó indirecto. La diferencia entre estos dos métodos es sencilla: en el método directo, los alimentos se colocan directamente sobre la fuente de calor. Por el contrario, en el indirecto, la fuente de calor se coloca a ambos lados de los alimentos, por lo que no están directamente sobre la fuente. Utilice el método más apropiado de cocción para obtener los mejores resultados y la mejor garantía de seguridad.

Método Directo

El método directo, se realiza colocando los alimentos directamente sobre la parrilla. Incluso con alimentos cocinados a la parrilla, deberá dar vuelta una vez a los alimentos. Utilice el método directo para alimentos que necesiten menos de 25 minutos de preparación: filetes, chuletas, kabobs ó brochetas, salchichas, verduras, entre otros. Asimismo, es necesario cocinar directamente las carnes de preparación a fuego **alto**. El método a fuego **alto** consigue aportar a la carne una textura crujiente y



sabrosa en los puntos de contacto de la carne con la parrilla. Además aporta un excelente color y sabor a toda la superficie de los alimentos. Filetes, chuletas, pechugas de pollo y piezas de carne de mayor tamaño, todos ellos se benefician de la preparación a fuego **alto**. Para realizar este tipo de preparación, coloque las piezas de carne directamente sobre el fuego intenso durante 2-5 minutos por cada lado. Las piezas de menor tamaño necesitan menor tiempo de preparación. Normalmente, después de haber cocinado a fuego **alto**, es recomendable terminar de cocinar los alimentos a la parrilla a una temperatura más baja. También puede cocinar a la parrilla alimentos de preparación rápida con el método directo; utilice el método indirecto para alimentos que requieran más tiempo de preparación. Para preparar su barbacoa ó asador de gas para cocinar los alimentos directamente en la parrilla, caliente la barbacoa ó asador con todos los quemadores al máximo. Coloque los alimentos sobre la parrilla de asado, después ajuste todos los quemadores a la temperatura indicada en la receta. Baje la tapa de la barbacoa ó asador y súbala sólo para dar la vuelta a los alimentos ó para probar si los alimentos están hechos a su gusto una vez terminado el tiempo de preparación recomendado.

Método Indirecto

El método indirecto es muy parecido a hornear pero, gracias a la barbacoa ó asador, aporta ventajas adicionales en la textura, en el sabor y en el aspecto que no puede conseguir en un horno. Para preparar la

barbacoa ó asador para el método indirecto, ha de encender los quemadores de gas situados a ambos lados de los alimentos, pero no los que estén directamente debajo de ellos. El calor se eleva, rebota en la tapa y en la parte interior de la barbacoa y se mantiene en circulación para cocinar lentamente los alimentos de forma uniforme por todos los lados, de forma similar a un horno de convección, de manera que no es necesario darle la vuelta a los alimentos. Utilice el método indirecto para alimentos que necesiten un tiempo de cocinado de 25 minutos ó más, ó para aquellos alimentos delicados en los que la exposición directa a las llamas los secaría demasiado ó los chamuscaría. Algunos ejemplos de este tipo son asados, costillas, pollos y pavos enteros así como otras grandes piezas de carne y filetes de pescados delicados. Para preparar la barbacoa de gas para el método de cocinado indirecto, caliente la barbacoa ó asador con todos los quemadores al máximo. Después ajuste los quemadores situados a ambos lados de los alimentos a la temperatura indicada en la receta y apague los quemadores situados justo debajo de los alimentos. Para conseguir mejores resultados, coloque los asados, las aves ó las grandes piezas de carne en una parrilla de asado dentro de una bandeja de papel de aluminio resistente. Para alimentos que requieren prolongados tiempos de cocinado, añada agua a la bandeja recoge gotas para evitar que ardan las gotas de grasa. Estos restos de gotas se pueden utilizar como salsa ó jugo.



Filetes A Las Tres Pimientas

FILETES A LAS TRES PIMIENTAS

Dorar a fuego Alto;

Cocinado: Con fuego Indirecto Intensidad Media

- 6 filetes de ternera de unos
3 – 4 cm de grosor
- 2 cucharaditas de pimienta negra
en grano
- 2 cucharaditas de pimienta blanca
en grano
- 2 cucharaditas de pimienta
Szechwan en grano
- una pizca de pimienta de
Jamaica molida

Quite la grasa sobrante de los filetes de ternera. Machaque los granos de pimienta sin llegar a molerlos. Mezcle los granos de pimienta con la pimienta de Jamaica molida. Cubra y guarde los filetes en el frigorífico, durante 1 ó 2 horas después de haber mezclado la carne con la mezcla de pimienta. Deje la carne reposar a temperatura ambiente durante unos 20 ó 30 minutos antes de colocarla en la barbacoa ó asador. Coloque los filetes directamente sobre fuego alto durante unos 4 minutos, dándoles la vuelta una vez. Siga cocinándolo a la parrilla sobre fuego indirecto de mediana intensidad durante unos 6 u 8 minutos para término medio.

Para 6 personas.



FILETES DE LOMO MARINADOS

Con fuego Directo Intensidad Media

Ingredientes del marinado:

- 1/2 taza de aceite
- 1/3 taza de salsa de soya
- 1/4 taza de vinagre de vino tino
- 2 cucharadas soperas de jugo de limón
- 1 cucharada soperas de salsa inglesa
- 1 cucharadita soperas de mostaza seca
- 1 diente de ajo picado
- 1/4 cucharadita de pimienta
- 700 g de filetes de lomo, de unas
1-1/2 – 2 cm de grosor

Mezcle los ingredientes del marinado en un platón llano que no sea de metal. Coloque los filetes en el marinado impregnándolos completamente. Deje los filetes cubiertos por el marinado en el frigorífico durante al menos 4 horas ó durante una noche. Retire los filetes del marinado y tire el marinado. Deje la carne reposar a temperatura ambiente durante unos 20 ó 30 minutos antes de colocarla en la barbacoa ó asador. Cocine los filetes en la parrilla durante 5 minutos por cada lado, de forma que estén dorados por fuera pero más bien poco hechos por dentro. Corte los filetes en forma diagonal en finas rodajas antes de servirlos.

Para 4 personas.



FILETES A LAS HIERBAS DE AJEDREA

Dorar a fuego Alto;

Cocinado: Con fuego Indirecto Intensidad Alta

- 4 filetes de ternera de unos 3-4 cm de grosor
- 1-1/2 cucharaditas de hojas de albahaca seca
- 1 cucharadita de hojas de estragón seco
- 1 cucharadita de cebolleta seca
- 4 dientes de ajo picado

Quite la grasa sobrante de los filetes de ternera. Mezcle las hierbas y el ajo; macháquelos con un tenedor hasta que se forme una pasta. Impregne ambos lados de los filetes con la pasta de hierbas. Cubra y guarde los filetes en el frigorífico, durante 1 ó 2 horas antes de cocinarlos a la parrilla. Deje la carne reposar a temperatura ambiente durante unos 20 ó 30 minutos antes de colocarla en la barbacoa. Coloque los filetes directamente sobre fuego alto durante unos 4 minutos, dándoles la vuelta una vez. Siga cocinándolo a la parrilla sobre fuego indirecto de mediana intensidad durante unos 6 u 8 minutos para término medio.

Para 4 personas.



COSTILLAS DORSALES CON SALSA PICANTE DE SIDRA

Indirecto Calor Medio

de *El gran libro de barbacoas*™ de Weber™

Para la salsa:

- 2 tazas de cidra
- 1/4 taza de chalotes
- 1 cucharada de café de pimienta jalapeño picado, quitando previamente las semillas
- 1/4 taza de ketchup
- 2 cucharas de café de vinagre de vino blanco
- 2 cucharas soperas de tomate concentrado
- 1 cucharada soperas de azúcar morena
- 1/4 de cucharada de café de sal
- 1/4 de cucharada de café de pimienta negra
- molida previamente

- Unos 2 kg de costillas en dos ó tres porciones
- Sal
- Pimienta negra previamente molida

Para hacer la salsa: En una sartén pequeña mezclar la sidra, los chalotes y el jalapeño. Hervir y dejar a fuego medio hasta que quede reducido a la mitad (15 – 20 minutos). Añadir los restantes ingredientes para la salsa, hervir nuevamente y quitar del fuego. (Se puede preparar la salsa antes y guardar en el frigorífico hasta su uso).



Costillas Dorsales Con Salsa Picante De Sidra

Antes de poner las costillas en la barbacoa dejarlas a temperatura ambiente durante unos 20 a 30 minutos Sazonar con sal y pimienta. Poner las costillas sobre la parrilla con el hueso hacia abajo, método indirecto y calor medio hasta que la carne quede muy tierna y se separe ligeramente del hueso en los extremos (aprox. 1-1/2 a 2 horas). Untar frecuentemente las costillas con la salsa durante el proceso de cocción, en los últimos 10 minutos. Sacar las costillas de la parrilla dejándolas reposar durante 5 a 10 minutos antes de cortar las costillas individualmente. Servir caliente.

Para 4 personas.





Brochetas De Cordero Con Especies

KABOBS Ó BROCHETAS DE CORDERO CON ESPECIAS

Con fuego Directo Intensidad Media

Marinado de naranjas y especias:

- 1/2 taza de aceite de oliva
- 1/4 taza de vinagre de vino tinto
- 1 cucharada sopera de jugo de limón
- 2 cucharadas soperas de piel de naranja rallada
- 1 cebolla verde y una corona de cebolla, picadas

una pizca de canela en polvo
una pizca de ajos en polvo

- 1 kg de cordero magro, cortado en pedazos de 3 - 4 cm

Prepare el marinado de naranjas y especias:

Mezcle todos los ingredientes; viértalo sobre el cordero en un platón llano de cristal ó en una bolsa de plástico resistente. Cúbralo y guárdelo en el frigorífico durante 4 ó 6 horas. Retire el cordero del marinado, escúrralo y guarde el marinado. Vierta el marinado que ha guardado en una pequeña cazuela. Póngalo a hervir y déjelo que hierva durante 10 segundos.

Coloque el cordero en forma de 4 ó 6 pinchos de metal a modo de brochetas. Coloque los kabobs ó brochetas en la bandeja de asado; cocínelos a la parrilla hasta que estén a su gusto, unos 10 minutos para que estén en su punto. Extienda el marinado sobre los kabobs con un pincel mientras se hace a la parrilla; dé la vuelta a los kabobs. Servir caliente.

Para 4 ó 6 personas.



PIERNA DE CORDERO

Con fuego Indirecto Intensidad Media

- 1 pierna de cordero, sin hueso, enrollada y atada, entre 2-1/2 y 3 kg.
- 2 dientes de ajo, cortados en 8 pedazos
Aceite
- 1 cucharada sopera de piel de limón rallada
una pizca de sal
- 1 cucharadita de hojas secas de romero
una pizca de pimienta negra

Haga 8 hendiduras pequeñas en la superficie de la pieza de cordero con un cuchillo pequeño con punta. Coloque un pedazo de ajo en cada hendidura. Extienda el aceite sobre la pieza con un pincel. Espolvoree la piel del limón, la sal, el romero y la pimienta por encima de la pieza. Coloque la pieza en la bandeja de asado y déjelo en la parrilla durante 2-1/2 horas hasta término medio 71°C.

Para 10 ó 12 personas.



COSTILLAR DE CORDERO

Dorar a fuego Medio;

Cocinado: Con fuego Indirecto Intensidad Media

- 2 costillares de cordero, entre 1/2 y 3/4 kg. cada uno
- 2 cucharadas soperas de mostaza de Dijon
- 1 taza de migas de pan fresco
- 1/4 taza de perejil picado
- 1/2 cucharadita de sal
una pizca de pimienta recién molida
- 2 cucharadas soperas de mantequilla derretida
- 1 diente de ajo machacado

Dore los costillares de cordero directamente sobre el fuego de mediana intensidad, con la parte de la grasa hacia abajo, durante 5 minutos. Retírelos de la barbacoa ó asador. Extienda 1 cucharada de mostaza sobre cada costillar de cordero. Mezcle en un tazón pequeño las migas de pan, perejil, sal y pimienta. Espolvoreelo de manera uniforme sobre los costillares de cordero. Mezcle la mantequilla derretida y el ajo y viértalo poco a poco por encima de la carne. Siga cocinándolo a la parrilla sobre fuego indirecto de mediana intensidad hasta que esté en su punto, 63°C, durante unos 20 minutos para término medio.

Para 4 personas.



CHULETAS DE CERDO CON RELLENO DE NUECES

Dorar a fuego Directo Alto;

Cocinado: Con fuego Indirecto Intensidad Media

Relleno de nueces:

- 1/2 taza de nueces picadas en trozos grandes
- 1/4 taza de cebollas verdes en rodajas y de coronas de cebolla
- 1/4 taza de pimienta verde picado
- 3 cucharadas soperas de mantequilla
una pizca de hojas de romero seco
una pizca de pimienta blanca
- 2 tazas de pedacitos de pan duro de trigo (2 cm de grosor)
- 1/3-1/2 taza de caldo de pollo

- 6 chuletas de lomo de cerdo con hueco para el relleno, con unos 3-4 cm de grosor

Prepare el relleno de nueces: Sofría las nueces, las cebollas y el pimienta verde con mantequilla en un sartén pequeño hasta que las cebollas estén tiernas; vierta el romero y la pimienta y déjelo sofreír durante 1 minuto más. Mezcle el relleno de nueces y los pedacitos de pan en un tazón; mézclelo con un poco de caldo de pollo, lo justo para que se humedezca. Coloque el relleno con una cuchara en el centro de las chuletas de lomo de cerdo y unte en los bordes de las chuletas asegurándolas con palillos. Deje la carne reposar a temperatura ambiente durante unos 20 minutos antes de colocarla en la barbacoa



Costillar De Cordero

ó asador. Coloque las chuletas sobre la parrilla directamente sobre fuego alto durante unos 12 minutos, dándoles la vuelta una vez. Siga cocinándolas a la parrilla sobre fuego indirecto de mediana intensidad hasta que pierdan el color rosado, durante unos 4 ó 6 minutos. Retire los palillos antes de servir.

Para 6 personas.





Pollo Al Queso Ricotta

POLLO AL QUESO RICOTTA

Con fuego Indirecto Intensidad Media

- 1 pollo entero, de unos 2 ó 2-1/2 kgs de peso
- 400 g de queso de ricotta
- 1/3 taza queso parmesano rallado
- 1 huevo
- 1-1/4 cucharadita de hojas secas de albahaca, divididas
- una pizca de hojas secas de estragón, divididas

- 2 cucharadas soperas de perejil picado
- 1 diente de ajo grande, picado
- Aceite
- Pimentón

Con una tijeras de cocina, divida en dos partes el pollo, cortándolo longitudinalmente por la columna. Retire la columna y la parte trasera. Tire de la piel del cuello hacia atrás. Tire de las puntas de las alas hacia atrás.

1. Coloque el pollo, con la piel hacia arriba sobre la mesa; empuje el pollo con las palmas de las manos hacia abajo, hasta que crujan los huesos, para que el pollo quede tumbado.
2. Afloje la carne de la parte superior del pollo y de los muslos con un cuchillo de cocina y con los dedos, empezando por el extremo superior. Procure no romper ó cortar la piel.

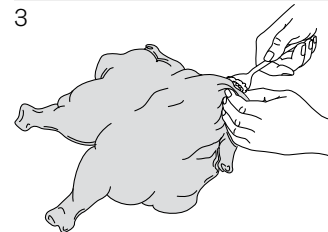
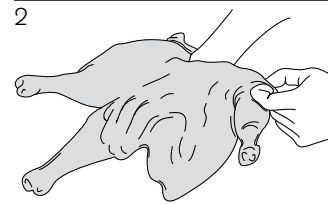
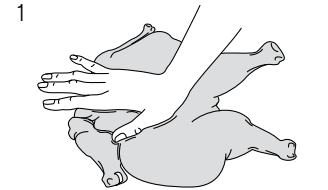
Mezcle el queso ricotta y el parmesano, el huevo, 1 cucharadita de albahaca, 1/2 cucharadita de estragón, perejil y ajo.

3. Ponga con cuidado la mezcla de queso debajo de la piel del pollo, empujando con los dedos para distribuir de manera homogénea sobre el cuerpo y los muslos del pollo. Extienda un poco de aceite con un pincel; espolvoree el resto, una pizca de albahaca, una pizca de estragó y el pimentón.

Ponga el pollo en la bandeja de asado, con la piel hacia arriba, y cocínelo en la parrilla con el método indirecto a fuego medio hasta que los muslos del pollo se muevan con facilidad y la piel esté bien dorada, 1-1/4 ó 1-1/2 horas. Coloque el pollo en la tabla de madera; déjelo reposar durante 10 minutos. Córtele en 4 pedazos, con un corte en horizontal y

otro en vertical. Vuelva a colocar el pollo en la fuente para servir.

Para 4 personas.



FAJITAS DE POLLO

Con fuego Directo Intensidad Media

Marinado:

- 1/4 taza de aceite
- 3 cucharadas soperas de jugo de limón
- 2 cucharadas soperas de vinagre de vino tinto
- 2 cucharadas soperas de cebollas cortadas muy finas
- 1 diente de ajo, picado
- 1/2 cucharadita de azúcar
- 1/2 cucharadita de hojas de orégano seco
- una pizca de sal
- una pizca de pimienta
- una pizca de comino en polvo

- 6 medias pechugas de pollo sin hueso y sin piel
- 4 tomates, cortados en rojas de 1 cm
- 1 cebolla roja, cortada en rodajas de 1 cm
- 1 pimiento picante rojo ó amarillo, sin rabo y sin pepitas y cortados en trozos
- 6 tortillas (estilo mejicano) grandes de harina
- 1 aguacate, en rodajas
- Salsa

En un platón llano, no metálico, mezcle todos los ingredientes del marinado. Prepare el marinado. Añada el pollo, dándole la vuelta para extender el marinado por todas partes. Cúbralo y guárdelo en el frigorífico durante 4 horas, removiendo de vez en cuando. Retire las pechugas de pollo del marinado y tire el marinado. Cocine a la parrilla las pechugas de pollo hasta que la carne pierda su color rosado, durante 8 ó 12 minutos, dándole la vuelta una vez. Véase la página 32 para los tiempos de cocinado de los tomates, cebollas y pimientos. Envuelva las tortillas en papel de aluminio y colóquelas sobre la bandeja de asado. Calíentelas durante un minuto. Corte los pimientos en tiras y parta en rodajas el pollo. Coloque las rodajas de pollo, los tomates, cebollas, los pimientos y el aguacate en las tortillas calientes y enróllelas, y estarán listas para comer. Sírvanse con salsa.

Para 6 personas.



Fajitas De Pollo

Consejo Weber

Si se va a utilizar una salsa para colocarla sobre la carne mientras se hace, divida la salsa y utilice una parte para colocarla mientras se cocina la carne y otra para servirla en la mesa. Si utiliza marinado que haya sido usado con carnes ó pescados frescos, hágalo hervir de forma intensa durante 10 segundos completos antes de utilizarlo como salsa ó guarnición.





Róbalo (Ó Similar) Con Pimientos A La Vinagreta

RÓBALO (Ó SIMILAR) CON PIMIENTOS A LA VINAGRETA

Directo Fuego Alto
de www.weber.com®

Para la vinagreta:

- 3 pimientos grandes, preferentemente rojos, amarillos ó verdes
- 3 cucharas soperas de aceite de oliva virgen
- 2 cucharas soperas de jugo de naranja
- 2 cucharas soperas de perejil liso ó rizado picado muy fino
- 1 cuchara soperas de jugo de limón
- 1/2 cuchara de ajo picado
- 1/2 cuchara de comino molido
- 1/4 de cuchara de sal
- 1/4 de cuchara de pimienta negra molida en el momento
- 1/4 de cuchara de Tabasco

- 4 Filetes de róbalo de unos 200 g cada uno y unos 2,5 cm de gruesos
- Aceite de oliva virgen
- Sal
- Pimienta molida en el momento

Para hacer la vinagreta: Asar los pimientos (gas ó carbón: directo, fuego alto) hasta que la piel esté ligeramente quemada por todos los lados, unos 10 a 12 min. dándoles la vuelta cada 3 a 4 min. Sacarlos de la parrilla y envolverlos en papel cerrando firmemente. Esperar unos 10 a 15 min. para que se enfríen un poco. Sacar los pimientos de su envoltorio

quitando la piel quemada. Cortar por arriba para quitar las semillas y cortar los pimientos en tiras de 1 cm aprox. y dejarlos reposar. En un tazón tamaño medio mezclar todos los demás ingredientes para la vinagreta. Ponga ahora las tiras de pimientos en la vinagreta dejando todo reposar durante un día.

Cubrir ligeramente los filetes de pescado con aceite con ayuda de un pincel. Aderezarlos con sal y pimienta. Asarlos a fuego alto, método directo hasta que la carne esté opaca en el centro durante unos 5 a 7 min., dándoles la vuelta una vez. Sacar de la barbacoa ó asador. Se sirve caliente, repartiendo la vinagreta por encima con una cuchara.

Para 4 personas.



BROCHETAS DE LANGOSTINOS CON MANTEQUILLA AL CURRY

Directo Alto

Mantequilla al curry:

- 1/2 taza de mantequilla
- 2 cucharadas soperas de cebolla cortada muy fina
- 1 cucharadita de eneldo fresco picado
- 1 – 1-1/2 cucharaditas de curry en polvo
- Una pizca de ajo en polvo
- 1 kg de langostinos grandes con cáscara y limpios
- Aceite de oliva
- Rodajas de limón ó de lima
- Eneldo fresco ó ramas de perejil

Haga la mantequilla al curry: Derrita la mantequilla en una cazuela pequeña sobre fuego de intensidad media - alta. Añada la cebolla, el eneldo, el curry en polvo y el ajo en polvo; cocínelo durante 5 minutos.

Ensarte los langostinos en seis pinchos de brochetas de 30 cm, dejando espacio entre cada trozo de langostino. Extienda un poco de aceite de oliva con un pincel sobre los langostinos. Cocínelos a la parrilla hasta que los langostinos estén tiernos y se vuelvan de color rosado, entre 2 y 5 minutos, en función del tamaño. Dé la vuelta a los pinchos una vez y extienda un poco de mantequilla al curry a mitad de tiempo de cocinado. Coloque las brochetas cocinadas en un platón para

servir. Decore la fuente con las rodajas de lima y con el eneldo.

Para 4 personas.



FILETE DE SALMÓN DE KIOTO

Con fuego Directo Alto

- 1/3 taza de salsa de soya
- 1/4 taza de concentrado de jugo de naranja
- 2 cucharadas soperas de aceite
- 2 cucharadas soperas de salsa de tomate
- 1 cucharadita de jugo de limón
- 1/2 cucharadita de mostaza preparada
- 1 cucharada soperas de cebolla verde y su corona, picada
- 1 diente de ajo, picado
- 1/2 cucharadita de jengibre, picado
- 4 filetes de salmón, de 2-1/2 cm de grosor
- Aceite de oliva

Para hacer el marinado, mezcle todos los ingredientes excepto los filetes de salmón; vierta la mezcla sobre los filetes de salmón en una bandeja llana de cristal. Cúbralo y guárdelo en el frigorífico de 30 a 60 minutos. Escurre el salmón y guarde el marinado. Vierta el resto del marinado que ha guardado en una cazuela pequeña. Póngala a hervir sobre fuego vivo y deje que hierva durante 10 segundos completos. Extienda un poco de aceite de oliva con un pincel sobre el



Filete De Salmón De Kioto

pescado y colóquelo en la parrilla de asado. Cocínelo a la parrilla hasta que el pescado esté tierno 6 y 8 minutos para medio crudo, y extienda con un pincel un poco de marinado a mitad de tiempo de preparación.

Para 4 personas.





Tomates Rellenos Asados Con Ratatouille

TOMATES RELLENOS ASADOS CON RATATOUILLE

Directo Calor Medio
de www.weber.com®

- 4 tomates rojos grandes
- sal

Para el relleno:

- 1 cebolla morada mediana cortada en trozos de 1/2 cm aprox.
- 1 pimiento rojo mediano limpio cortado en trozos
- 1 calabacín mediano cortado en rodajas de 1 cm de grosor
- aceite virgen de oliva
- pimienta negra molida en el momento
- 2/3 de taza de mozzarella cortada
- 1 cuchara sopera de albahaca fresca cortada muy fina
- 1 cuchara sopera de vinagre a la albahaca ó al estragón

Cortar las partes de arriba de cada tomate (aprox. 1 cm) y tirarlos. Con un cuchillo pequeño muy afilado se corta alrededor por dentro de los tomates sin dañar las paredes ni el fondo, vaciándolos con ayuda de una cuchara. Dejar aprox. 1/2 cm de carne de tomate adherido a la piel. Tirar las semillas y el jugo para hacer sitio para el relleno. Sazonar ligeramente con sal por dentro de los tomates. Después ponerlos bocabajo y cortarlos por la mitad de arriba a bajo dejándolos reposar sobre papel de cocina en un plato mientras se prepara el relleno.

Para el relleno: Con ayuda de un pincel de cocina cubrir ligeramente con aceite la cebolla, el pimiento y el calabacín. Sazonar con sal y pimienta. Asar (método directo, calor medio) hasta que estén tiernos, las cebollas precisan de 8 a 10 minutos y los pimientos y calabacines unos 6 a 8 min. Después colocar todo encima de una madera de cocina para cortar todo en trozos de 1/2 cm. En un tazón medio poner las verduras, el queso, el albahaca y el vinagre. Mezclar todo.

Con ayuda de una cuchara rellenar los tomates. Asar los tomates rellenos durante unos 8 a 12 minutos (método indirecto, calor medio) hasta que el queso esté fundido y las verduras calientes. Servir inmediatamente.

Para 4 personas.



PAPAS RELLENAS A LA PARRILLA

Con fuego Indirecto Intensidad Media

- 3 papas grandes para asar
- 3 cucharadas soperas de mantequilla ó margarina
- 2 yemas de huevo
- 1/2 taza de crema agria
- 1 cucharada soperas cebolletas picadas una pizca de sal
- 2 cucharadas soperas de queso cheddar fuerte
- 1/4 taza de cabezas de brócoli

Lave y seque las papas. Haga agujeros en las papas con un tenedor. Cocínelas en la parrilla hasta que se cuezan, aprox. 1 hora. Corte las papas por la mitad. Quite la parte de dentro de cada papa con una cuchara, dejando sólo la piel. Machaque las papas con la mantequilla mientras estén calientes. Mezcle las yemas de huevo con la crema agria; mézclelo a su vez con las papas, las cebolletas y con sal. Ponga toda la mezcla a modo de montón sobre la piel de las papas.

Coloque las papas rellenas sobre la parrilla de asado y cocínelas hasta que las papas estén calientes de forma homogénea, durante aprox. 10 minutos. Ponga por encima el queso y déje las papas un poco más en la barbacoa ó asador hasta que el queso se derrita. Decore la parte de arriba con el brócoli antes de servir.

Para 6 personas.



PARAÍSO A LA PARRILLA

Indirecto Calor Medio
de "El gran libro de barbacoas" de Weber™

Para el glasé:

- 3/4 de taza de jugo de naranja exprimido en el momento
- 1 cuchara soperas de miel
- 1 cuchara soperas de jugo de lima exprimido en el momento
- 2 cucharaditas de maicena
- 4 rodajas de piña natural, 1 – 1-1/2 cm de grosor
- 1 cucharadita de granos secos de pimienta verde ó granos de pimienta negra
- 4 porciones de helado de vainilla

Para hacer el glasé: en un pequeño sartén mezclar todos los ingredientes para el glasé y remover hasta que todo esté bien mezclado. Hervir (calor medio alto) hasta que esté espeso (1 a 2 minutos) Mantenga el glasé caliente ó vuelva a calentarlo en el momento de servir.

Sazonar ambos lados de las rodajas de piña con los granos de pimienta. Asarlas (método indirecto, calor medio) unos 6 a 8 minutos dándoles la vuelta una vez. Servir las piñas con las porciones de helado repartiendo el glasé caliente por encima.

Para 4 personas.



Paraíso A La Parrilla



GUIA PARA LA COCCIÓN

Los siguientes cortes, grosores, pesos y tiempos de cocción sólo son indicativos y, en ningún caso, reglas fijas e inalterables. Los tiempos de cocción dependen de la altura sobre el nivel de mar, el viento, la temperatura exterior y el grado de cocción deseado. Dos reglas de oro: Para filetes, chuletas, filetes de pescado, piezas de ave sin hueso y verduras se ha de utilizar el método directo según el

esquema ó según el punto de cocción deseado, dándole la vuelta a los alimentos una vez. Para asados, aves enteras, trozos de aves con hueso, pescados enteros, cortes gruesos de carnes etc. se debe usar el método indirecto durante el tiempo indicado en el esquema ó, midiendo con un termómetro de lectura instantánea, hasta que la temperatura interna de los

alimentos llegue a los grados deseados. El tiempo de cocción para carne de res está indicado según la definición en EE.UU. término medio crudo, si no se indica lo contrario. Los asados, piezas grandes de carne y chuletones hay que dejarlos reposar durante 5 a 10 minutos antes de cortarlos. La temperatura interna de la carne aumentara de 5 a 10°C durante este tiempo.

Carne de Ternera	Grosor/Peso	Tiempo Aproximado de Cocción
Bisteces: New York, chuleta de dos lomos, "rib-eye", churrasco o lomo de cerdo)	3/4"	4-6 minutos con fuego alto directo
	1"	5-8 minutos; marcar con fuego alto directo 4-6 minutos ase 1-2 minutos fuego alto indirecto
	1-1/2"	10 – 14 minutos; marcar con fuego alto directo 6 – 8 minutos ase 4-6 minutos fuego alto indirecto
Falda	1-1/2 lb. a 2 lb.; 3/4"	8-10 minutos fuego alto directo
Hamburguesas	3/4"	8-10 minutos con fuego alto directo

Cerdo	Grosor/Peso	Tiempo Aproximado de Preparación
Chuletas (lomo, costillas)	3/4"	6 – 8 minutos con fuego alto directo
	1"	8 – 10 minutos con fuego medio directo
Costillas de cerdo, de lomo	1-1/2 - 2 lbs.	3 – 4 horas con fuego bajo indirecto
Costillas de cerdo, con poca carne	2-1/2 - 3-1/2 lbs.	3 – 4 horas con fuego bajo indirecto
Costillas de cerdo, estilo campestre, con hueso	3 a 4 lb.	1-1/2 – 2 horas con fuego medio indirecto

Aves	Grosor/Peso	Tiempo Aproximado de Cocción
Pechugas de pollo, sin hueso, sin piel	6-8 oz.	8 – 12 minutos con fuego medio directo
Muslos de pollo, sin hueso, sin piel	4 oz.	8 – 10 minutos con fuego alto directo
Pollo en trozos, con hueso, pechugas	10-12 oz.	30 – 40 minutos con fuego medio indirecto
Pollo en trozos, con hueso, muslos y piernas		30 - 40 minutos con fuego medio indirecto
Pollo en trozos, con hueso, alas	2-3 oz.	18 – 20 minutos con fuego medio directo
Pollo, entero	3-1/2 a 4-1/2 lb.	1 – 1-1/2 horas con fuego medio indirecto
Gallinitas de caza	1-1/2 a 2 lb.	30 – 45 minutos con fuego alto indirecto
Pavo, entero, sin relleno	10 a 12 lb.	2-1/2 – 3-1/2 horas con fuego bajo indirecto
	13 a 15 lb.	3-1/2 – 4-1/2 horas con fuego bajo indirecto

Pescado y Mariscos	Grosor/Peso	Tiempo Aproximado de Cocción
Pescado, filete o rodajas	1/4" a 1/2"	3 – 5 minutos con fuego alto directo
	1" a 1-1/4"	10 – 12 minutos con fuego alto directo
Pescado, entero	1 lb.	15 – 20 minutos con fuego medio indirecto
	3 lb.	30 – 45 minutos con fuego medio indirecto
NOTA: Norma general para cocinar pescado en el asador: 4-5 minutos por cada 1/2" de grosor; 8-10 minutos por cada 1" de grosor		

Verduras	Tiempo Aproximado de Cocción
Espárragos	6 – 8 minutos con fuego medio directo
Elotes (Maíz), con hojas / sin hojas	25 – 30 minutos con fuego medio directo, con hojas / 10 – 15 minutos con fuego medio directo, sin hojas
Hongos, "shiitake" o champiñón	8 – 10 minutos con fuego medio directo, shiitake / 10– 15 minutos con fuego medio directo, champiñón
Cebolla, mitad / 1/2" rodajas	35 – 40 minutos con fuego medio indirecto / 8 – 12 minutos con fuego medio directo
Papas, enteras / 1/2" rodajas	45 – 60 minutos con fuego medio indirecto / 14 – 16 minutos con fuego medio directo



WWW.WEBER.COM®